

# MPDB Series

Open-Style Power Distribution Blocks

## POWER DISTRIBUTION BLOCKS

### THE NEXT GENERATION POWER DISTRIBUTION BLOCK (PDB)



Mersen power distribution blocks provide a safe and easy method of splicing cables, splitting primary power into secondary circuits and fulfilling requirements for fixed junction tap-off points. Unless noted otherwise, all blocks are UL and CSA approved while meeting spacing requirements for feeder and branch circuits in conjunction with UL508A and the National Electrical Code®. PDB options include single or dual conductor primary inputs and up to 30 secondary outputs. Specialty blocks are available allowing for up to 7 primary inputs. The MPDB series is offered in three size categories: miniature (MPDB62 and MPDB63 series), intermediate (MPDB66 and MPDB67 series), and large (MPDB68 and MPDB69 series), in both aluminum and copper.

### FEATURES/BENEFITS:

- **Adder Poles:** All sizes have optional adder poles for increased flexibility and ease-of-use. Adder poles can be stacked to form multi-pole units in the field without the use of tools. Adder poles allow for customization of primary and secondary wire combinations. End barriers are also available for sale, catalog numbers can be found in the catalog number selection tables for each size block.
- **Wire Connectors:** Standard aluminum and copper wire connectors are available. Aluminum connectors accept both AL or CU wire while copper connectors accept CU wire only. Connectors are all 1-piece tin-plated. Many part numbers are rated to accept DLO-type fine-strand wire, allowing users to connect flexible conductors. (Continued on next page.)

### RATINGS:

- **Volts:** 1000VAC/DC
- **Amps:** 65 to 2260A based on NEC table 310.15(B)(16) 75°C ampacities
- **SCCR:** 100kA with properly sized fuse (See Mersen's PDB SCCR guide at [ep.mersen.com](http://ep.mersen.com) or contact Mersen Technical Services)

### APPROVALS:

- UL Listed to subject 1953, File E352417 unless noted otherwise
- CSA Certified Class 6228 01



P  
D

**FEATURES/BENEFITS (CONTINUED):**

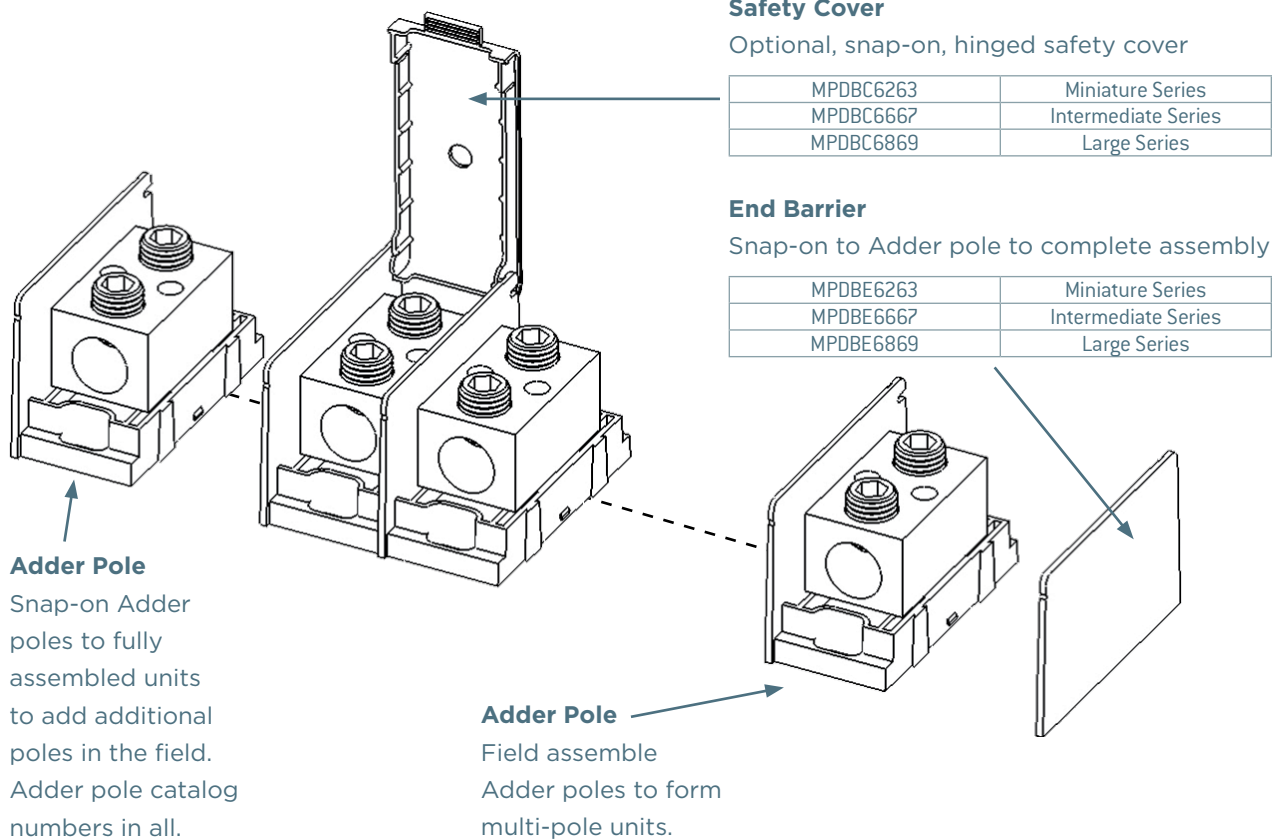
- **Insulators:** Insulators are virtually unbreakable, made of glass-filled polycarbonate. “See-through,” hinged safety covers are optional and provide a greater degree of safety and shock resistance where required. Hinged covers can be installed without tools.
- **Spacings:** 1 inch through air and 2 inches over surface between uninsulated live parts of opposite polarity meets requirements for feeder and branch circuit applications of UL508A.
- **Safety Covers:** Polycarbonate safety covers provide dead-front protection. One cover is needed for each pole. Each cover has a test probe hole in the center for circuit checking. Covers are optional accessories and catalog numbers can be found in the catalog selection tables for each size block.

**ADDITIONAL SPECIFICATIONS:**

- Wire Type:** Copper Blocks: 60/75°C Solid/Stranded CU; Aluminum Blocks: 60/75/90°C Solid/Stranded AL and CU
- Connector:** Copper Blocks: Highly conductive tin-plated copper; Aluminum Blocks: Highly conductive tin-plated aluminum
- Insulating Material:** Glass-filled polycarbonate with verified dielectric strength in excess of 2500V
- Flammability:** UL94-V0
- Mounting:** Direct panel mount
- Environmental:** RoHS compliant, Lead Free

**PART SELECTION NOTES**

MPDBs in each size category come in one, two, and three pole configurations (ending in -1, -2, and -3 accordingly). Users also have the ability to field install additional poles, end barriers, and safety covers.



**P  
D**

CATALOG NUMBERS, MINIATURE ALUMINUM MPDBs,  
BOX-BOX CONFIGURATION

| Line Side    |                   | Load Side    |                   | Catalog Numbers |           |           |           | Ampere Rating per Pole |         |
|--------------|-------------------|--------------|-------------------|-----------------|-----------|-----------|-----------|------------------------|---------|
| Wire Range   | Openings per Pole | Wire Range   | Openings per Pole | ADDER           | 1-P       | 2-P       | 3-P       | Cu Wire                | Al Wire |
| 4-14         | 1                 | 4-14         | 1                 | MPDB63100       | MPDB63101 | MPDB63102 | MPDB63103 | 85                     | 65      |
| 4-14         | 1                 | 4-14         | 4                 | MPDB63160       | MPDB63161 | MPDB63162 | MPDB63163 | 85                     | 65      |
| 6-14 (DLO)   |                   | 6-14 (DLO)   |                   |                 |           |           |           | 65 (DLO)               |         |
| 2/0-14       | 1                 | 2/0-14       | 1                 | MPDB63150       | MPDB63151 | MPDB63152 | MPDB63153 | 175                    | 135     |
| 1/0-14 (DLO) |                   | 1/0-14 (DLO) |                   |                 |           |           |           | 125 (DLO)              |         |
| 2/0-14       | 1                 | 2-14         | 2                 | MPDB63190       | MPDB63191 | MPDB63192 | MPDB63193 | 175                    | 135     |
| 1/0-14 (DLO) |                   | 3-14 (DLO)   |                   |                 |           |           |           | 125 (DLO)              |         |
| 2/0-14       | 1                 | 4-14         | 4                 | MPDB63130       | MPDB63131 | MPDB63132 | MPDB63133 | 175                    | 135     |
| 1/0-14 (DLO) |                   | 6-14 (DLO)   |                   |                 |           |           |           | 125 (DLO)              |         |

(DLO) Indicates Ampere Rating or Wire Range applicable to DLO class wire.

CATALOG NUMBERS, MINIATURE ALUMINUM MPDBs,  
BOX-STUD CONFIGURATION

| Line Side  |                   | Load Side        |                | Catalog Numbers |           |           |           | Ampere Rating per Pole |              |
|------------|-------------------|------------------|----------------|-----------------|-----------|-----------|-----------|------------------------|--------------|
| Wire Range | Openings per Pole | Stud Size        | Studs per Pole | ADDER           | 1-P       | 2-P       | 3-P       | Ratings (Cu)           | Ratings (Al) |
| 2/0-14     | 1                 | 1/4" - 20 x 5/8" | 1              | MPDB63140       | MPDB63141 | MPDB63142 | MPDB63143 | 175                    | 135          |

CATALOG NUMBERS, MINIATURE COPPER MPDBs,  
BOX-BOX CONFIGURATION

| Line Side  |                   | Load Side  |                   | Catalog Numbers |           |           |           | Ampere Rating per Pole |
|------------|-------------------|------------|-------------------|-----------------|-----------|-----------|-----------|------------------------|
| Wire Range | Openings per Pole | Wire Range | Openings per Pole | ADDER           | 1-P       | 2-P       | 3-P       | Rating (Cu)            |
| 4-14       | 1                 | 4-14       | 1                 | MPDB62100       | MPDB62101 | MPDB62102 | MPDB62103 | 85                     |
| 4-14       | 1                 | 4-14       | 4                 | MPDB62160       | MPDB62161 | MPDB62162 | MPDB62163 | 85                     |
| 2/0-14     | 1                 | 2/0-14     | 1                 | MPDB62150       | MPDB62151 | MPDB62152 | MPDB62153 | 175                    |
| 2/0-14     | 1                 | 2-14       | 2                 | MPDB62190       | MPDB62191 | MPDB62192 | MPDB62193 | 175                    |
| 2/0-14     | 1                 | 4-14       | 4                 | MPDB62130       | MPDB62131 | MPDB62132 | MPDB62133 | 175                    |

(DLO) Indicates Ampere Rating or Wire Range applicable to DLO class wire.

CATALOG NUMBERS, MINIATURE COPPER MPDBs,  
STUD-STUD CONFIGURATION

| Line Side      |                | Load Side      |                | Catalog Numbers |           |           |           | Ampere Rating per Pole |              |
|----------------|----------------|----------------|----------------|-----------------|-----------|-----------|-----------|------------------------|--------------|
| Stud Size      | Studs per Pole | Stud Size      | Studs per Pole | ADDER           | 1-P       | 2-P       | 3-P       | Ratings (Cu)           | Ratings (Al) |
| 1/4"-20 X 5/8" | 1              | 1/4"-20 X 5/8" | 1              | MPDB62200       | MPDB62201 | MPDB62202 | MPDB62203 | 240                    | 240          |

Hinged Safety Cover for MPDB62 and MPDB63 series: Catalog number MPDBC6263

End Barrier for MPDB62 and MPDB63 series: Catalog Number MPDBE6263

PD

**CATALOG NUMBERS, INTERMEDIATE ALUMINUM MPDBs,  
BOX-BOX CONFIGURATION**

| Line Side    |                   | Load Side    |                   | Catalog Numbers |           |           |           | Amp Rating per Pole |         |
|--------------|-------------------|--------------|-------------------|-----------------|-----------|-----------|-----------|---------------------|---------|
| Wire Range   | Openings per Pole | Wire Range   | Openings per Pole | ADDER           | 1-P       | 2-P       | 3-P       | Cu Wire             | Al Wire |
| 2/0-14       | 1                 | 2/0-14       | 1                 | MPDB67050       | MPDB67051 | MPDB67052 | MPDB67053 | 175                 | 135     |
| 2/0-14       | 1                 | 2-14         | 4                 | MPDB67570       | MPDB67571 | MPDB67572 | MPDB67573 | 175                 | 135     |
| 1/0-14 (DLO) |                   | 4-14 (DLO)   |                   |                 |           |           |           | 150 (DLO)           |         |
| 2/0-14       | 1                 | 2-14         | 6                 | MPDB67560       | MPDB67561 | MPDB67562 | MPDB67563 | 175                 | 135     |
| 1/0-14 (DLO) |                   | 4-14 (DLO)   |                   |                 |           |           |           | 150 (DLO)           |         |
| 2/0-14       | 1                 | 2-14         | 8 <sup>M</sup>    | MPDB67580       | MPDB67581 | MPDB67582 | MPDB67583 | 175                 | 135     |
| 1/0-14 (DLO) |                   | 4-14 (DLO)   |                   |                 |           |           |           | 150 (DLO)           |         |
| 2/0-14       | 1                 | 6-14         | 10 <sup>M</sup>   | MPDB67590       | MPDB67591 | MPDB67592 | MPDB67593 | 175                 | 135     |
| 1/0-14 (DLO) |                   | 8-14 (DLO)   |                   |                 |           |           |           | 150 (DLO)           |         |
| 2/0-14       | 1                 | 10-14        | 12                | MPDB67110       | MPDB67111 | MPDB67112 | MPDB67113 | 175                 | 135     |
| 1/0-14 (DLO) |                   | 12-14 (DLO)  |                   |                 |           |           |           | 150 (DLO)           |         |
| 350-6        | 1                 | 350-6        | 1                 | MPDB67000       | MPDB67001 | MPDB67002 | MPDB67003 | 310                 | 250     |
| 313-6 (DLO)  |                   | 313-6 (DLO)  |                   |                 |           |           |           | 285 (DLO)           |         |
| 350-6        | 1                 | 2/0-14       | 2 <sup>M</sup>    | MPDB67010       | MPDB67011 | MPDB67012 | MPDB67013 | 310                 | 250     |
| 313-6 (DLO)  |                   | 1/0-14 (DLO) |                   |                 |           |           |           | 2                   |         |
| 350-6        | 1                 | 2-14         | 4 <sup>M</sup>    | MPDB67670       | MPDB67671 | MPDB67672 | MPDB67673 | 310                 | 250     |
| 313-6 (DLO)  |                   | 4-14 (DLO)   |                   |                 |           |           |           | 285 (DLO)           |         |
| 350-6        | 1                 | 2-14         | 6                 | MPDB67660       | MPDB67661 | MPDB67662 | MPDB67663 | 310                 | 250     |
| 313-6 (DLO)  |                   | 4-14 (DLO)   |                   |                 |           |           |           | 285 (DLO)           |         |
| 350-6        | 1                 | 2-14         | 8                 | MPDB67630       | MPDB67631 | MPDB67632 | MPDB67633 | 310                 | 250     |
| 313-6 (DLO)  |                   | 4-14 (DLO)   |                   |                 |           |           |           | 285 (DLO)           |         |
| 350-6        | 1                 | 6-14         | 10                | MPDB67650       | MPDB67651 | MPDB67652 | MPDB67653 | 310                 | 250     |
| 350-6        | 1                 | 10-14        | 15                | MPDB67620       | MPDB67621 | MPDB67622 | MPDB67623 | 310                 | 250     |
| 500-4        | 1                 | 500-4        | 1                 | MPDB67400       | MPDB67401 | MPDB67402 | MPDB67403 | 380                 | 310     |
| 500-4        | 1                 | 350-6 & 2-14 | 1 & 3             | MPDB67450       | MPDB67451 | MPDB67452 | MPDB67453 | 380                 | 310     |
| 500-4        | 1                 | 4/0-10       | 2                 | MPDB67420       | MPDB67421 | MPDB67422 | MPDB67423 | 380                 | 310     |
| 500-4        | 1                 | 2/0-14       | 4 <sup>M</sup>    | MPDB67410       | MPDB67411 | MPDB67412 | MPDB67413 | 350                 | 310     |
| 373-4 (DLO)  |                   | 1/0-14 (DLO) | 4                 |                 |           |           |           | 320 (DLO)           |         |
| 500-4        | 1                 | 2-14         | 6 <sup>M</sup>    | MPDB67460       | MPDB67461 | MPDB67462 | MPDB67463 | 350                 | 310     |
| 373-4 (DLO)  |                   | 4-14 (DLO)   | 6                 |                 |           |           |           | 320 (DLO)           |         |
| 500-4        | 1                 | 2-14         | 8                 | MPDB67430       | MPDB67431 | MPDB67432 | MPDB67433 | 380                 | 310     |
| 500-4        | 1                 | 6-14         | 10                | MPDB67480       | MPDB67481 | MPDB67482 | MPDB67483 | 380                 | 310     |
| 500-4        | 1                 | 10-14        | 18                | MPDB67490       | MPDB67491 | MPDB67492 | MPDB67493 | 380                 | 310     |
| 2/0-14       | 2                 | 2/0-14       | 2 <sup>M</sup>    | MPDB67020       | MPDB67021 | MPDB67022 | MPDB67023 | 350                 | 270     |
| 1/0-14 (DLO) |                   | 1/0-14 (DLO) | 2                 |                 |           |           |           | 300 (DLO)           |         |
| 2/0-14       | 2                 | 2-14         | 6                 | MPDB67510       | MPDB67511 | MPDB67512 | MPDB67513 | 350                 | 270     |
| 1/0-14 (DLO) |                   | 3-14 (DLO)   |                   |                 |           |           |           | 300 (DLO)           |         |
| 2/0-14       | 2                 | 2-14         | 8                 | MPDB67610       | MPDB67611 | MPDB67612 | MPDB67613 | 350                 | 270     |
| 2/0-14       | 2                 | 6-14         | 10                | MPDB67530       | MPDB67531 | MPDB67532 | MPDB67533 | 350                 | 270     |
| 2/0-14       | 2                 | 10-14        | 15                | MPDB67550       | MPDB67551 | MPDB67552 | MPDB67553 | 350                 | 270     |
| 4/0-6        | 2                 | 4/0-6        | 2 <sup>M</sup>    | MPDB67520       | MPDB67521 | MPDB67522 | MPDB67523 | 460                 | 360     |
| 3/0-6 (DLO)  |                   | 3/0-6 (DLO)  | 2                 |                 |           |           |           | 400 (DLO)           |         |
| 4/0-6        | 2                 | 2-14         | 6 <sup>M</sup>    | MPDB67540       | MPDB67541 | MPDB67542 | MPDB67543 | 460                 | 360     |
| 3/0-6 (DLO)  |                   | 4-14 (DLO)   | 6                 |                 |           |           |           | 400 (DLO)           |         |

\* Indicates part numbers that are not UL listed (DLO) Indicates Ampere Rating or Wire Range applicable to Copper DLO class wire (M) Indicates connection UL approved for use with multiple conductors in the same opening. Quantities and sizes of wires are as follows:

|                 |         |         |         |        |         |          |         |  |  |
|-----------------|---------|---------|---------|--------|---------|----------|---------|--|--|
| #2-#14 Openings | (4) #14 | (4) #12 | (2) #10 |        |         |          |         |  |  |
| 4/0-#6 Openings | (2) #2  | (2) #3  | (2) #4  | (2) #6 |         |          |         |  |  |
| 200-#4 Openings | (2) #4  | (2) #3  | (2) #2  | (2) #1 | (2) 1/0 | (2) #2/0 | (2) 3/0 |  |  |

**CATALOG NUMBERS, INTERMEDIATE ALUMINUM MPDBs,  
BOX-STUD CONFIGURATION**

| Line Side  |        | Load Side         |         | Catalog Numbers |           |           |           | Amp Rating per Pole |              |
|------------|--------|-------------------|---------|-----------------|-----------|-----------|-----------|---------------------|--------------|
| Wire Range | Inputs | Stud Size         | Outputs | ADDER           | 1-P       | 2-P       | 3-P       | Ratings [Cu]        | Ratings [Al] |
| 350-6      | 1      | 3/8"-16 X 1-1/16" | 1       | MPDB67250       | MPDB67251 | MPDB67252 | MPDB67253 | 310                 | 250          |
| 500-4      | 1      | 3/8"-16 X 1-1/16" | 1       | MPDB67220       | MPDB67221 | MPDB67222 | MPDB67223 | 380                 | 310          |

Hinged Safety Cover for MPDB66 and MPDB67 series: Catalog number MPDBC6667  
End Barrier for MPDB66 and MPDB67 series: Catalog Number MPDBE6667

**P  
D**

CATALOG NUMBERS, INTERMEDIATE COPPER MPDBs,  
BOX-BOX CONFIGURATION

| Line Side  |                   | Load Side    |                   | Catalog Numbers |           |           |           | Ampere Rating per Pole |  |
|------------|-------------------|--------------|-------------------|-----------------|-----------|-----------|-----------|------------------------|--|
| Wire Range | Openings per Pole | Wire Range   | Openings per Pole | ADDER           | 1-P       | 2-P       | 3-P       | Cu Wire                |  |
| 2/0-14     | 1                 | 2/0-14       | 1                 | MPDB66050       | MPDB66051 | MPDB66052 | MPDB66053 | 175                    |  |
| 2/0-14     | 1                 | 2-14         | 4                 | MPDB66570       | MPDB66571 | MPDB66572 | MPDB66573 | 175                    |  |
| 2/0-14     | 1                 | 2-14         | 6                 | MPDB66560       | MPDB66561 | MPDB66562 | MPDB66563 | 175                    |  |
| 2/0-14     | 1                 | 2-14         | 8                 | MPDB66580       | MPDB66581 | MPDB66582 | MPDB66583 | 175                    |  |
| 2/0-14     | 1                 | 6-14         | 10                | MPDB66590       | MPDB66591 | MPDB66592 | MPDB66593 | 175                    |  |
| 2/0-14     | 1                 | 10-14        | 12                | MPDB66110       | MPDB66111 | MPDB66112 | MPDB66113 | 175                    |  |
| 350-6      | 1                 | 350-6        | 1                 | MPDB66000       | MPDB66001 | MPDB66002 | MPDB66003 | 310                    |  |
| 350-6      | 1                 | 2/0-14       | 2                 | MPDB66010       | MPDB66011 | MPDB66012 | MPDB66013 | 310                    |  |
| 350-6      | 1                 | 2-14         | 4                 | MPDB66670       | MPDB66671 | MPDB66672 | MPDB66673 | 310                    |  |
| 350-6      | 1                 | 2-14         | 6                 | MPDB66660       | MPDB66661 | MPDB66662 | MPDB66663 | 310                    |  |
| 350-6      | 1                 | 2-14         | 8                 | MPDB66630       | MPDB66631 | MPDB66632 | MPDB66633 | 310                    |  |
| 350-6      | 1                 | 6-14         | 10                | MPDB66650       | MPDB66651 | MPDB66652 | MPDB66653 | 310                    |  |
| 350-6      | 1                 | 10-14        | 15                | MPDB66620       | MPDB66621 | MPDB66622 | MPDB66623 | 310                    |  |
| 500-4      | 1                 | 500-4        | 1                 | MPDB66400       | MPDB66401 | MPDB66402 | MPDB66403 | 380                    |  |
| 500-4      | 1                 | 350-6 & 2-14 | 1 & 3             | MPDB66450       | MPDB66451 | MPDB66452 | MPDB66453 | 380                    |  |
| 500-4      | 1                 | 2/0-14       | 4                 | MPDB66410       | MPDB66411 | MPDB66412 | MPDB66413 | 380                    |  |
| 500-4      | 1                 | 2-14         | 6                 | MPDB66460       | MPDB66461 | MPDB66462 | MPDB66463 | 380                    |  |
| 500-4      | 1                 | 10-14        | 18                | MPDB66490       | MPDB66491 | MPDB66492 | MPDB66493 | 380                    |  |
| 2/0-14     | 2                 | 2/0-14       | 2                 | MPDB66020       | MPDB66021 | MPDB66022 | MPDB66023 | 350                    |  |
| 2/0-14     | 2                 | 2-14         | 6                 | MPDB66510       | MPDB66511 | MPDB66512 | MPDB66513 | 350                    |  |
| 2/0-14     | 2                 | 2-14         | 8                 | MPDB66610       | MPDB66611 | MPDB66612 | MPDB66613 | 350                    |  |
| 2/0-14     | 2                 | 6-14         | 10                | MPDB66530       | MPDB66531 | MPDB66532 | MPDB66533 | 350                    |  |
| 2/0-14     | 2                 | 10-14        | 15                | MPDB66550       | MPDB66551 | MPDB66552 | MPDB66553 | 350                    |  |
| 4/0-6      | 2                 | 4/0-10       | 2                 | MPDB66520       | MPDB66521 | MPDB66522 | MPDB66523 | 460                    |  |
| 4/0-6      | 2                 | 2-14         | 6                 | MPDB66540       | MPDB66541 | MPDB66542 | MPDB66543 | 460                    |  |

(DLO) Indicates Ampere Rating or Wire Range applicable to DLO class wire

CATALOG NUMBERS, INTERMEDIATE COPPER MPDBs,  
STUD-STUD CONFIGURATION

| Line Side         |                | Load Side         |                | Catalog Numbers |           |           |           | Ampere Rating per Pole |              |
|-------------------|----------------|-------------------|----------------|-----------------|-----------|-----------|-----------|------------------------|--------------|
| Stud Range        | Studs per Pole | Stud Size         | Studs per Pole | ADDER           | 1-P       | 2-P       | 3-P       | Ratings [Cu]           | Ratings [Al] |
| 1/4"-20 X 1-5/16" | 1              | 1/4"-20 X 1-5/16" | 1              | MPDB66270       | MPDB66271 | MPDB66272 | MPDB66273 | 155                    | 155          |
| 1/4"-20 X 1-5/16" | 1              | 3/8"-16 X 1-1/8"  | 1              | MPDB66200       | MPDB66201 | MPDB66202 | MPDB66203 | 155                    | 155          |
| 3/8"-16 X 1-1/8"  | 1              | 1/4"-20 X 1-5/16" | 2              | MPDB66230       | MPDB66231 | MPDB66232 | MPDB66233 | 400                    | 400          |
| 3/8"-16 X 1-1/8"  | 1              | 3/8"-16 X 1-1/8"  | 1              | MPDB66260       | MPDB66261 | MPDB66262 | MPDB66263 | 400                    | 400          |

Hinged Safety Cover for MPDB66 and MPDB67 series: Catalog number MPDBC6667  
End Barrier for MPDB66 and MPDB67 series: Catalog Number MPDBE6667

CATALOG NUMBERS, LARGE ALUMINUM MPDBs,  
BOX-BOX CONFIGURATION

| Line Side   |                   | Load Side     |                   | Catalog Numbers |                 |            |            | Ampere Rating per Pole |              |
|-------------|-------------------|---------------|-------------------|-----------------|-----------------|------------|------------|------------------------|--------------|
| Wire Range  | Openings per Pole | Wire Range    | Openings per Pole | ADDER           | Number of Poles |            |            | Ratings (Cu)           | Ratings (Al) |
|             |                   |               |                   |                 | 1-P             | 2-P        | 3-P        |                        |              |
| 350-6       | 1                 | 2/0-14        | 6                 | MPDB69170       | MPDB69171       | MPDB69172  | MPDB69173  | 310                    | 250          |
| 350-6       | 1                 | 4-14          | 12                | MPDB69150       | MPDB69151       | MPDB69152  | MPDB69153  | 310                    | 250          |
| 500-4       | 1                 | 500-4         | 1                 | MPDB69050       | MPDB69051       | MPDB69052  | MPDB69053  | 380                    | 310          |
| 500-4       | 1                 | 350-6         | 2                 | MPDB69060       | MPDB69061       | MPDB69062  | MPDB69063  | 380                    | 310          |
| 500-4       | 1                 | 4/0-6         | 4                 | MPDB69510*      | MPDB69511*      | MPDB69512* | MPDB69513* | 380                    | 310          |
| 500-4       | 1                 | 2/0-14        | 6                 | MPDB69070       | MPDB69071       | MPDB69072  | MPDB69073  | 380                    | 310          |
| 500-4       | 1                 | 4-14          | 12                | MPDB69080       | MPDB69081       | MPDB69082  | MPDB69083  | 380                    | 310          |
| 600-2       | 1                 | 600-2         | 1                 | MPDB69640       | MPDB69641       | MPDB69642  | MPDB69643  | 420                    | 340          |
| 1000-250    | 1                 | 1000-250      | 1                 | MPDB69000       | MPDB69001       | MPDB69002  | MPDB69003  | 545                    | 445          |
| 1000-250    | 1                 | 500-4         | 2                 | MPDB69010       | MPDB69011       | MPDB69012  | MPDB69013  | 545                    | 445          |
| 1000-250    | 1                 | 350-6         | 2                 | MPDB69020       | MPDB69021       | MPDB69022  | MPDB69023  | 545                    | 445          |
| 1000-250    | 1                 | 2/0-14        | 6                 | MPDB69030       | MPDB69031       | MPDB69032  | MPDB69033  | 545                    | 445          |
| 1000-250    | 1                 | 4-14          | 12                | MPDB69040       | MPDB69041       | MPDB69042  | MPDB69043  | 545                    | 445          |
| 4-14        | 2                 | 4-14          | 12                | MPDB69180       | MPDB69181       | MPDB69182  | MPDB69183  | 170                    | 130          |
| 2/0-14      | 2                 | 4-14          | 12                | MPDB69160       | MPDB69161       | MPDB69162  | MPDB69163  | 350                    | 270          |
| 2/0-14      | 2                 | 10-14         | 20                | MPDB69600       | MPDB69601       | MPDB69602  | MPDB69603  | 350                    | 270          |
| 350-6       | 2                 | 350-6         | 2                 | MPDB69120       | MPDB69121       | MPDB69122  | MPDB69123  | 620                    | 500          |
| 313-6 (DLO) |                   | 313-6 (DLO)   |                   |                 |                 |            |            | 570 (DLO)              |              |
| 350-6       | 2                 | 2/0-14        | 12 <sup>M</sup>   | MPDB69140       | MPDB69141       | MPDB69142  | MPDB69143  | 620                    | 500          |
| 313-6 (DLO) |                   | 6-14 (DLO)    |                   |                 |                 |            |            | 570 (DLO)              |              |
| 500-4       | 2                 | 500-4         | 2 <sup>M</sup>    | MPDB69090       | MPDB69091       | MPDB69092  | MPDB69093  | 760                    | 620          |
| 373-4 (DLO) |                   | 373-4 (DLO)   |                   |                 |                 |            |            | 640 (DLO)              |              |
| 500-4       | 2                 | 4/0-6         | 4                 | MPDB69310       | MPDB69311       | MPDB69312  | MPDB69313  | 760                    | 620          |
| 373-4 (DLO) |                   | 3/0-6 (DLO)   |                   |                 |                 |            |            | 640 (DLO)              |              |
| 500-4       | 2                 | 2/0-14        | 6                 | MPDB69100       | MPDB69101       | MPDB69102  | MPDB69103  | 760                    | 620          |
| 500-4       | 2                 | 2/0-14        | 8                 | MPDB69350*      | MPDB69351*      | MPDB69352* | MPDB69353* | 760                    | 620          |
| 500-4       | 2                 | 4-14          | 12                | MPDB69110       | MPDB69111       | MPDB69112  | MPDB69113  | 760                    | 620          |
| 373-4 (DLO) |                   | 6-14 (DLO)    |                   |                 |                 |            |            | 640 (DLO)              |              |
| 600-2       | 2                 | 600-2         | 2                 | MPDB69650       | MPDB69651       | MPDB69652  | MPDB69653  | 840                    | 680          |
| 600-2       | 2                 | 4-14 & 3/0-10 | 4 & 4             | MPDB69540       | MPDB69541       | MPDB69542  | MPDB69543  | 840                    | 680          |

\* Indicates part numbers that are not UL listed

(DLO) Indicates Ampere Rating or Wire Range applicable to Copper DLO class wire

(M) Indicates connection UL approved for use with multiple conductors in the same opening. Quantities and sizes of wires are as follows:

|                 |         |         |         |        |         |          |         |  |  |
|-----------------|---------|---------|---------|--------|---------|----------|---------|--|--|
| #2-#14 Openings | (4) #14 | (4) #12 | (2) #10 |        |         |          |         |  |  |
| 4/0-#6 Openings | (2) #2  | (2) #3  | (2) #4  | (2) #6 |         |          |         |  |  |
| 200-#4 Openings | (2) #4  | (2) #3  | (2) #2  | (2) #1 | (2) 1/0 | (2) #2/0 | (2) 3/0 |  |  |

CATALOG NUMBERS, LARGE ALUMINUM MPDBs,  
BOX-STUD CONFIGURATION

| Line Side  |                   | Load Side    |                | Catalog Numbers |           |           |           | Ampere Rating per Pole |              |
|------------|-------------------|--------------|----------------|-----------------|-----------|-----------|-----------|------------------------|--------------|
| Wire Range | Openings per Pole | Stud Size    | Studs per Pole | ADDER           | 1-P       | 2-P       | 3-P       | Ratings (Cu)           | Ratings (Al) |
| 500-4      | 1                 | 3/8"-16 X 1  | 1              | MPDB69210       | MPDB69211 | MPDB69212 | MPDB69213 | 380                    | 310          |
| 500-4      | 1                 | 3/8"-16 X 1" | 2              | MPDB69270       | MPDB69271 | MPDB69272 | MPDB69273 | 380                    | 310          |
| 1000-250   | 1                 | 3/8"-16 X 1" | 1              | MPDB69280       | MPDB69281 | MPDB69282 | MPDB69283 | 545                    | 445          |
| 500-4      | 2                 | 3/8"-16 X 1" | 2              | MPDB69230       | MPDB69231 | MPDB69232 | MPDB69233 | 760                    | 620          |

Hinged Safety Cover for MPDB68 and MPDB69 series: Catalog number MPDBC6869

End Barrier for MPDB68 and MPDB69 series: Catalog Number MPDBE6869

CATALOG NUMBERS, LARGE COPPER MPDBs,  
BOX-BOX CONFIGURATION

| Line Side  |                   | Load Side  |                   | Catalog Numbers |            |            |            | Ampere Rating per Pole |  |
|------------|-------------------|------------|-------------------|-----------------|------------|------------|------------|------------------------|--|
| Wire Range | Openings per Pole | Wire Range | Openings per Pole | ADDER           | 1-P        | 2-P        | 3-P        | Cu Wire                |  |
| 350-6      | 1                 | 4-14       | 12                | MPDB68150       | MPDB68151  | MPDB68152  | MPDB68153  | 310                    |  |
| 500-4      | 1                 | 350-6      | 2                 | MPDB68060       | MPDB68061  | MPDB68062  | MPDB68063  | 380                    |  |
| 2/0-14     | 2                 | 4-14       | 12                | MPDB68160       | MPDB68161  | MPDB68162  | MPDB68163  | 350                    |  |
| 350-6      | 2                 | 350-6      | 2                 | MPDB68120       | MPDB68121  | MPDB68122  | MPDB68123  | 620                    |  |
| 350-6      | 2                 | 4/0-10     | 4                 | MPDB68320*      | MPDB68321* | MPDB68322* | MPDB68323* | 620                    |  |
| 350-6      | 2                 | 2/0-14     | 6                 | MPDB68130       | MPDB68131  | MPDB68132  | MPDB68133  | 620                    |  |
| 350-6      | 2                 | 4-14       | 12                | MPDB68140       | MPDB68141  | MPDB68142  | MPDB68143  | 620                    |  |
| 500-4      | 2                 | 500-4      | 2                 | MPDB68090       | MPDB68091  | MPDB68092  | MPDB68093  | 760                    |  |
| 500-4      | 2                 | 4/0-10     | 4                 | MPDB68310       | MPDB68311  | MPDB68312  | MPDB68313  | 760                    |  |
| 500-4      | 2                 | 2/0-14     | 6                 | MPDB68100       | MPDB68101  | MPDB68102  | MPDB68103  | 760                    |  |
| 500-4      | 2                 | 4-14       | 12                | MPDB68110       | MPDB68111  | MPDB68112  | MPDB68113  | 760                    |  |

\* Indicates part numbers that are not UL listed

CATALOG NUMBERS, LARGE COPPER MPDBs,  
STUD-BOX CONFIGURATION

| Line Side    |               | Load Side  |                   | Catalog Numbers |           |           |           | Ampere Rating per Pole |              |
|--------------|---------------|------------|-------------------|-----------------|-----------|-----------|-----------|------------------------|--------------|
| Stud Size    | Stud per Pole | Wire Range | Openings per Pole | ADDER           | 1-P       | 2-P       | 3-P       | Ratings [Cu]           | Ratings [Al] |
| 1/2"-13 X 1" | 1             | 4-14       | 12                | MPDB68290       | MPDB68291 | MPDB68292 | MPDB68293 | 1000                   | 1000         |

CATALOG NUMBERS, LARGE COPPER MPDBs,  
STUD-STUD CONFIGURATION

| Line Side        |               | Load Side        |               | Catalog Numbers |            |            |            | Ampere Rating per Pole |              |
|------------------|---------------|------------------|---------------|-----------------|------------|------------|------------|------------------------|--------------|
| Stud Size        | Stud per Pole | Wire Range       | Stud per Pole | ADDER           | 1-P        | 2-P        | 3-P        | Ratings [Cu]           | Ratings [Al] |
| 1/2"-13 X 1-3/8" | 1             | 1/2"-13 X 1-3/8" | 12            | MPDB68220*      | MPDB68221* | MPDB68222* | MPDB68223* | 400                    | 400          |

Hinged Safety Cover for MPDB68 and MPDB69 series: Catalog number MPDBC6869

End Barrier for MPDB68 and MPDB69 series: Catalog Number MPDBE6869

The MPDB double-wide series are designed for custom applications where large ampacities are required. Double-wide blocks are not UL or CSA certified unless otherwise noted. All double-wide blocks are Mersen self-certified and approved.

**DOUBLE WIDE ALUMINUM CATALOG NUMBERS,  
BOX-BOX CONFIGURATION**

| Line Side  |                   | Load Side     |                   | Catalog Numbers<br>1-P | Ampere Rating per Pole |         |
|------------|-------------------|---------------|-------------------|------------------------|------------------------|---------|
| Wire Range | Openings per Pole | Wire Range    | Openings per Pole |                        | Cu Wire                | Al Wire |
| 1000-250   | 2                 | 500-4         | 4                 | MPDB69561              | 1090                   | 890     |
| 500-4      | 3                 | 2/0-14        | 8                 | MPDB900061             | 1140                   | 930     |
| 600-2      | 3                 | 600-2         | 3                 | MPDB69331              | 1260                   | 1020    |
| 500-4      | 4                 | 500-4         | 4                 | MPDB900071             | 1520                   | 1240    |
| 500-4      | 4                 | 2/0-12        | 6                 | MPDB900121             | 1520                   | 1240    |
| 500-4      | 4                 | 6-14 & 2/0-14 | 22 & 4            | MPDB69521              | 1520                   | 1240    |
| 500-4      | 4                 | 4-14          | 30                | MPDB69191              | 1520                   | 1240    |
| 600-2      | 4                 | 600-2         | 4                 | MPDB69341              | 1680                   | 1360    |

**DOUBLE WIDE COPPER CATALOG NUMBERS,  
BOX-BOX CONFIGURATION**

| Line Side  |                   | Load Side  |                   | Catalog Numbers<br>1-P  | Ampere Rating per Pole |         |
|------------|-------------------|------------|-------------------|-------------------------|------------------------|---------|
| Wire Range | Openings per Pole | Wire Range | Openings per Pole |                         | Cu Wire                | Al Wire |
| 500-4      | 3                 | 4/0-10     | 6                 | MPDB800011              | 1140                   |         |
| 500-4      | 4                 | 500-4      | 4                 | MPDB800031              | 1520                   |         |
| 500-4      | 4                 | 2/0-12     | 6                 | MPDB800121              | 1520                   |         |
| 500-4      | 7                 | 500-4      | 7                 | MPDB800061 <sup>T</sup> | 2660                   |         |

*T Indicates that this block is triple-wide*

**DOUBLE WIDE COPPER CATALOG NUMBERS,  
BOX-STUD CONFIGURATION**

| Line Side  |                   | Load Side    |                | Catalog Numbers<br>1-P | Ampere Rating per Pole |  |
|------------|-------------------|--------------|----------------|------------------------|------------------------|--|
| Wire Range | Openings per Pole | Stud Size    | Studs per Pole |                        | Ratings (Cu)           |  |
| 500-4      | 4                 | 3/8"-16 X 1" | 4              | MPDB900091             | 1520                   |  |

*Hinged Safety Cover for Double-Wide MPDB series: Catalog number MPDBC692W*

