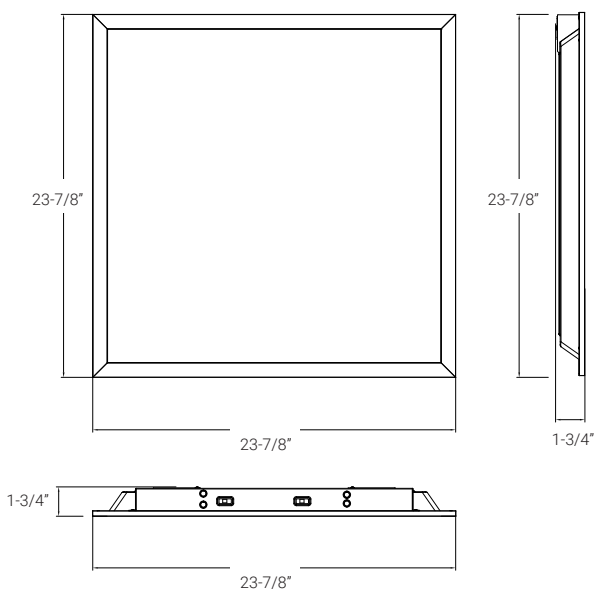


FEATURES

The clean design of the FPL-BL provides a modern alternative to traditional fluorescent troffers. Available in 1x4, 2x2, and 2x4. Backlit design delivers unmatched uniform light distribution. Easily adjust brightness level (multi-lumen) and color options (multi-CCT) in the field with multi-lumen and multi-CCT selectors. Perfect for offices, schools, healthcare, hospital, retail, among other applications.



LUMENS	2000/ 3000/ 4000 4000/ 5000/ 6000
CCT	35K/ 40K/ 50K 30K/ 35K/ 40K
CRI	85+
UGR	<19
COLOR QUALITY	3 Step MacAdam Ellipse
SIZE	2'x4', 2'x2', 1'x4'
MOUNTING	Recessed, Suspended, Surface Mount
DIMMING & CONTROL	0-10V Flicker Free 10% Dimming Standard (DIM10)
EMERGENCY	10W - Up to 1000L output 20W - Up to 2000L output
LIFETIME	L70 at 60,000 Hours
PHOTOMETRIC TESTS	In Accordance with IES LM79-08, LM80 and TM-30, TM-21

2000/3000/4000		
NOMINAL LUMENS	DELIVERED LUMENS	WATTAGE
4000	4536	37W
3000	3538	28W
2000	2591	19W

Based on 4000K, 85+ CRI. Actual wattage may vary +/- 5%

4000/5000/6000		
NOMINAL LUMENS	DELIVERED LUMENS	WATTAGE
6000	5694	50W
5000	4910	41W
4000	3831	30W

Based on 4000K, 85+ CRI. Actual wattage may vary +/- 5%



MAINTENANCE

The driver is removable and upgradable even after installation. Luminaire can be regularly and safely wiped down for peak performance.

OPTICAL SYSTEM

Backlit design provides exceptional light distribution. Illumination is spread across the entire surface of the panel, emitting soft, even light. A 110-degree beam angle ensures clear, shadow-free light.

CONSTRUCTION

20-gauge cold rolled steel body, post-painted for durability. White finish standard. All corners are rounded for safe handling. Multiple wiring entrances allow for easy access.

MOUNTING

Easy to install. Mounting hardware included. Accommodates lay-in ceilings, Slot T, and T-bar suspension systems for 5/8" and 3/8" ceiling widths. Four corner tie points and built-in earthquake clips come standard. Options for flange kits, surface mounted kits, and more. SMK required if suspending the fixture.

OPTIONS

Luminaires can be shipped pre-installed with whips, modular wiring systems.

DRIVER ELECTRICAL INFORMATION

Powered by high-quality constant-current power LED drivers which are rated for 50 to 60Hz at 120/277V input. Available in 347V., produce less than 20% THD, and have a power factor of .90 to 1.00.

DIMMING & DRIVER INFORMATION

DIM10 - Flicker Free 10% Dimming Standard (DIM10) 0-10V dimming on either MVOLT 120, 277V and 347V

WARRANTY

Five-year warranty for parts and components. (Labor not included)

LISTINGS

c-UL-us - Listed for Feed Through Wiring.

Can be used to comply with Tittle 24, non residential lighting requirements.

Damp location rated.

For DesignLights Consortium® (DLC) qualified products please visit www.designlights.org. Not all family members will be listed for DLC Premium or DLC Standard.

Example: **22-FPL-BL-LED-2000/3000/4000L-DIM10-MVOLT-35K/40K/50K-85**

FIXTURE SIZE	SERIES	TYPE	LUMENS	DIMMING	VOLTAGE	CCT	CRI	EMERGENCY	OTHER OPTIONS
22 - 2' X 2'	FPL-BL - LED Flat Panel Backlit	LED	2000/3000/4000L 4000/5000/6000L	DIM10 - 0-10V Dimming	MVOLT 347V	35K/40K/50K 30K/35K/40K	85	0-EMG-LED-10W 0-EMG-LED-20W 0-EMG-LED-10W-347	22FK - 2'x2' Flange Kit 22-FPL1-LED-SMK - 2'x2' Surface Mount Kit USA - Made in America Compliance

