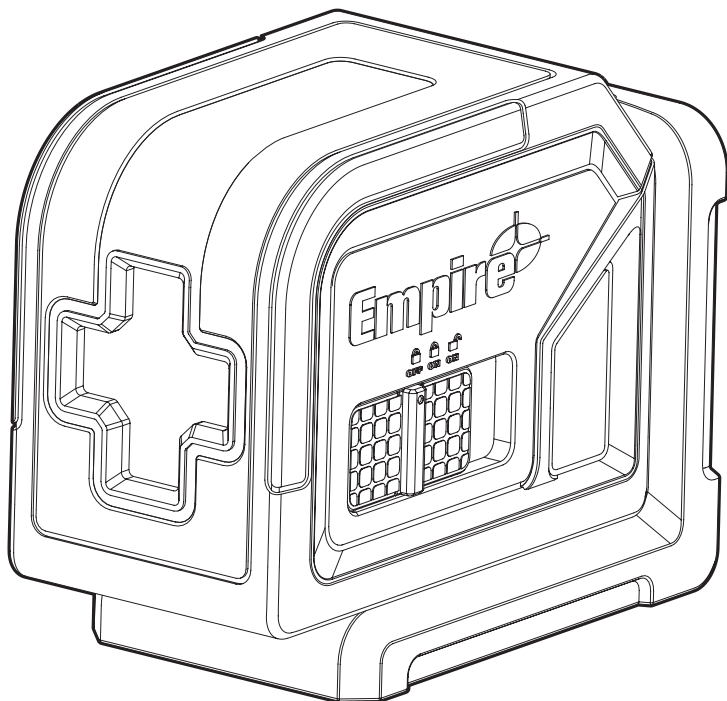




OPERATOR'S MANUAL
MANUEL de L'UTILISATEUR
MANUAL del OPERADOR



Cat. No. / No de cat.
eLGC

CROSS LINE LASER
LASER A LIGNE TRANSVERSALE
LÁSER DE LÍNEA TRANSVERSAL



WARNING To reduce the risk of injury, user must read and understand operator's manual.

AVERTISSEMENT Afin de réduire le risque de blessures, l'utilisateur doit lire et bien comprendre le manuel.

ADVERTENCIA Para reducir el riesgo de lesiones, el usuario debe leer y entender el manual.

GENERAL POWER TOOL SAFETY WARNINGS

▲WARNING Read and understand all instructions. Failure to follow all instructions listed below, may result in electric shock, fire and/or serious personal injury. **Save all warnings and instructions for future reference.**

•**Save these instructions** - This operator's manual contains important safety and operating instructions.

LASER SAFETY

▲WARNING The device produces visible laser beams, which are emitted from the

tool.

•This device complies with 21 CFR 1040.10 and 1040.11 except for conformance with IEC 60825-1 Ed. 3, as described in Laser Notice No. 56, dated May 8, 2019.

•**Laser light - Do not stare into beam or view directly with optical instruments. Do not point laser light at others.** Laser light can cause eye damage.

WORK AREA SAFETY

•**Ensure adequate safeguards at the work site** (e.g. surveying site when measuring on roads, construction sites, etc.).

•**Avoid dangerous environments.** Avoid extended exposure to rain, snow, damp or wet locations. Do not use in the presence of explosive atmospheres (gaseous fumes, dust or flammable materials).

PERSONAL SAFETY

•**Do not allow persons unfamiliar with the tool, these safety instructions, and the tool's operator's manual to operate the tool.** This tool can be dangerous in the hands of untrained users.

•**Do not overreach. Keep proper footing and balance at all times.** This enables better control of the tool in unexpected situations.

BATTERY USE AND CARE

•This tool is designed to be powered by 4-AA batteries properly inserted into the tool. Do not attempt to use with any other voltage or power supply.

•**Do not leave batteries within the reach of children.**

•**Do not mix new and used batteries. Do not mix brands (or types within brands) of batteries.**

•**Do not mix rechargeable and non-rechargeable batteries.**

•**Install batteries according to polarity (+ / -) diagrams.**

•**Properly dispose of used batteries immediately.**

•**Do not incinerate or dismantle batteries.**

•**Under abusive conditions, liquid may be ejected from the battery, avoid contact. If contact accidentally occurs, flush with water. If liquid contacts eyes, additionally seek medical help.** Liquid ejected from the battery may cause irritation or burns.

SPECIFIC SAFETY RULES FOR LASER LEVELS

•**Watch out for erroneous results if the tool is defective or if it has been dropped, misused or modified.**

•**Do not dispose of tool or batteries together with household waste material!** Tool and batteries that have reached the end of their life must be collected separately and returned to an environmentally compatible recycling facility.

•**Ensure tool magnets are securely mounted to a metal surface. Magnet strength may not hold on thin metal surfaces, causing the tool to fall.**

•**Maintain labels and nameplates.** These carry important information. If unreadable or missing, contact Empire for a free replacement.

•**The device conforms to the most stringent requirements of the relevant Electromagnetic Compatibility (EMC) Standards and Regulations.** Yet, the possibility of causing interference in other devices cannot be totally excluded.

▲CAUTION Use of controls or adjustments or performance of procedures other than those specified herein may result in hazardous radiation exposure.

•**Be sure to power off instrument after use.** When instrument will not be used for a long period, place it in storage after removing batteries.

FCC Federal Communications Commission

▲WARNING Changes or modifications to this unit not expressly approved by the party responsible for compliance could void the user's authority to operate the equipment. This equipment has been tested and found to comply with the limits for a Class B digital device, pursuant to Part 15 of the FCC Rules. These limits are designed to provide reasonable protection against harmful interference in a residential installation. This equipment generates, uses and can radiate radio frequency energy and, if not installed and used in accordance with the instructions, may cause harmful interference to radio communications.

However, there is no guarantee that interference will not occur in a particular installation. If this equipment does cause harmful interference to radio or television reception, which can be determined by turning the equipment off and on, the user is encouraged to try to correct the interference by one or more of the following measures:

- Reorient or relocate the receiving antenna.
- Increase the separation between the equipment and receiver.
- Consult the dealer or an experienced radio/TV technician for help.

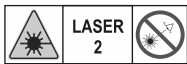
SPECIFICATIONS

Cat. No.	eLGC
Voltage	6 V (4xAA) NEDA 15 A IEC LR6
Laser	Class 2
Max Power	< 8 mW
Wavelength	510-530 nm
Beam Divergence	1 rad
Storage Temp	-4°F to 140°F
Working Range	75'
Visible Range	75'
Accuracy	1/4" @ 33'
Settle Time	< 4 Seconds
Tripod Mount	1/4"-20
Ingress Protection	IP54
Drop Rating	1 m
Leveling	Auto ±4° side to side, front to back
Operating Temperature	14°F to 104°F

SYMBOLOLOGY

V Volts

— Direct Current



LASER RADIATION
DO NOT STARE INTO BEAM
CLASS 2 LASER PRODUCT



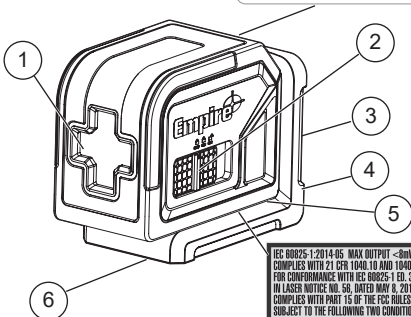
To reduce the risk of injury, user must read operator's manual.



European Conformity Mark

FUNCTIONAL DESCRIPTION

1. Laser aperture
2. On/Off switch
3. Magnets (not shown)
4. Integrated mount
5. Battery compartment
6. Threaded insert (not shown)



IES 80825-1-2014-05 MAX OUTPUT $-80\text{mW}@510\text{nm}$ - 500mW
COMPLIES WITH 21 CFR 1040.10 AND 1040.11 EXCEPT
FOR CONFORMANCE WITH RED CODES: 1 EB, 9, 10 DESCRIBED
IN LASER NOTICE NO. 56, DATED MAY 6, 2018. THIS DEVICE
COMPLIES WITH PART 16 OF THE FCC RULES. OPERATION IS
SUBJECT TO THE FOLLOWING TWO CONDITIONS: (1) THIS
DEVICE MAY NOT CAUSE HARMFUL INTERFERENCE, AND (2) THIS
DEVICE MUST ACCEPT ANY INTERFERENCE RECEIVED, INCLUDING
INTERFERENCE THAT MAY CAUSE UNDESIRABLE OPERATION.

ASSEMBLY

Changing the Battery

Only use alkaline batteries. Do not use zinc-carbon batteries. If the laser will not be used for a long time, remove the batteries as a protection against corrosion.

Change batteries when the battery indication begins flashing. To change the batteries:

1. Lift latch to open battery door.
2. Insert four AA batteries according to the +/- polarity marked in the compartment.
3. Install the battery door securely.

Low Battery Indication

To indicate low battery (about 30 minutes of battery life remaining*), the laser lines will flash:

- In **ON** - 3 times every 4 seconds
- In **ON** - 3 times every 8 seconds

The low battery indicator flashing will continue until the batteries are removed and replaced.

During self-leveling, the out-of-level indicator (flashing 3 times per second) will override the low battery indicator.

*Battery life may vary by brand/age. Replace the batteries as soon as possible.

OPERATION

WARNING To reduce the risk of injury or temporary effects on vision, do not look directly into the laser when it is on.

CAUTION Use of controls or adjustments or performance of procedures other than those specified herein may result in hazardous radiation exposure.

NOTICE Perform the Accuracy Field Check procedure immediately upon unboxing of each new Laser Level and before exposure to jobsite conditions. See "Accuracy Field Check" for information.

Turning On/Off

To turn on the laser and unlock the pendulum, slide the switch to the desired position. Two perpendicular lines will immediately be emitted from apertures. **WARNING!** Do not look directly into laser apertures.

ON Turns ON the laser and unlocks the pendulum to enable self-leveling.

ON Turns ON the laser but does not unlock the pendulum (self leveling is disabled). The laser lines will flash once every 8 seconds to indicate that the projected lines are not level or plumb.

NOTICE The **ON** mode disables self-leveling and therefore is not intended for projecting a level or plumb line.

OFF Turns OFF the laser and locks the pendulum. When not in use, turn off the tool and store the Laser Level in the protective carrying case.

Using the Laser Level

1. For best results, place the tool on a work surface that is:

- sturdy
- level (within 4 degrees of true level)
- free of vibrations

2. Turn on the tool.

3. In **ON** mode, the tool will self-level when placed on surfaces within 4 degrees of true level.

4. The tool is ready once the emitted lines are continuous and no longer moving on the work surface.

5. If the tool cannot achieve a level state (i.e., the work surface is > 4 degrees off true level), the laser points will flash rapidly (3 flashes per second). Relocate or adjust the work surface.

Troubleshooting

If the tool does not turn on:

- Ensure batteries are inserted correctly according to the +/- polarity marked in the compartment.
 - Replace batteries that may be at the end of life.
 - Ensure the tool's internal temperature is within specified operating ranges. If stored in excessive heat or cold, allow at least 2 hours to acclimate to ambient temperature before turning on the tool.
 - Ensure the switch is in the **ON** position.
- If problem persists, please contact Empire Level Customer Service for support.

ACCURACY FIELD CHECK

NOTICE Perform the Accuracy Field Check procedure immediately upon unboxing of each new Laser Level and before exposure to jobsite conditions. See "Accuracy Field Check" for information. Should any deviation from listed product accuracy be found, please contact Empire Level Customer Service. Failure to do so could result in rejection of warranty claim.

Influences on Accuracy

Ambient temperature gradients can impact laser accuracy. For accurate and repeatable results, the following procedure should be conducted with the laser elevated off the ground and placed in the center of the working area.

Abusive treatment of the Laser Level, such as excessive impacts from drop, can also lead to deviations in product accuracy.

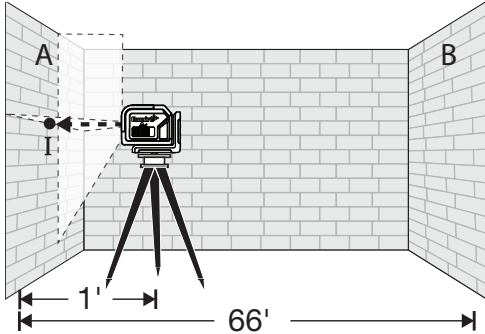
Therefore, it is recommended to conduct the Field Check procedure after any impact or before completing any critical jobs.

Horizontal Height Accuracy

A free measuring distance of approximately 66' on a firm surface between two walls or structures A and B is required for this check.

It is also suggested to mount the Laser Level to a commercially available Tripod for easy adjustment.

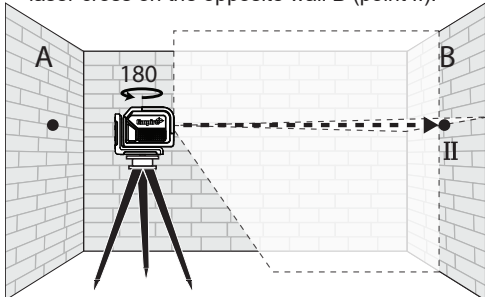
1. Securely mount the tool within 1' of wall A.



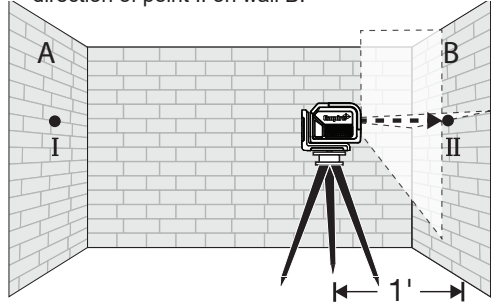
2. Turn the tool to ON.

3. Direct the front laser beam against the nearest wall A and allow to self-level. Mark the center of the laser cross on the wall (point I).

4. Rotate the tool 180° without changing the height, allow it to self-level, and mark the center of the laser cross on the opposite wall B (point II).

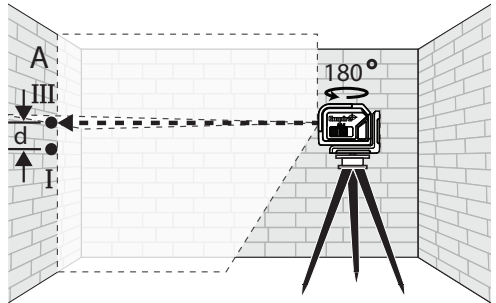


5. Move the tool within 1' of wall B. Turn the tool to ON and align the laser cross in the general direction of point II on wall B.



6. Adjust the height of the tool (using the tripod or by adding shims, if required) to align the laser cross directly onto point II on wall B. Allow the tool to self-level.

7. Rotate the tool 180° without changing the height, allow it to self-level, and mark the center of the laser cross on wall A (point III). Point III should be aligned as vertically above or below point I on wall A as possible.



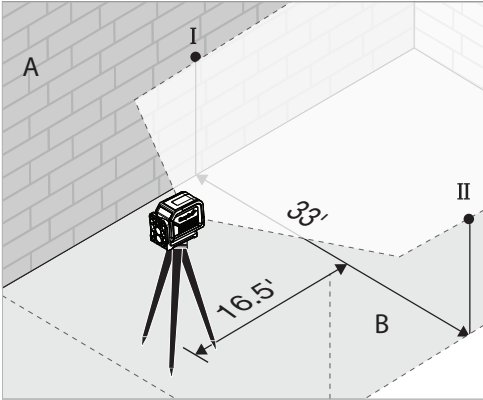
8. The distance between points I and III on wall A is the height deviation (d) of the tool. This distance should not exceed 1/4" (max.) at 33' (1" at 132'). For the Measuring distance of 2 x 66' = 132', the maximum allowable deviation (d) is:
 $132' \times \pm 1/4" \div 33' = \pm 1"$

Horizontal Leveling Accuracy

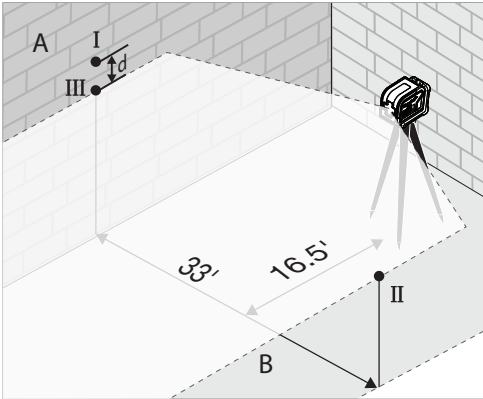
A free measuring space of approximately 33'x33' on a firm surface between two walls or structures A and B is required for the check.

It is also suggested to mount the Laser Level to a commercially available Tripod for easy adjustment. Securely mount the tool on one side of the room and centered between walls A and B. Direct the laser lines toward the other side of the room such that the horizontal line appears on both walls A and B. Allow the laser to Self-Level.

- At a distance of 16.5' from the laser, mark the center of the horizontal line on Wall A (Point I). Do the same on Wall B (Point II).




- Move the Laser 33' toward the opposite wall and rotate the laser 180°. Allow the laser to Self-Level.
- Adjust the height of the tool (using the tripod or by adding shims, if required) such that the center of the horizontal line is projected exactly against the previously marked point II on wall B. Ensure the Laser is self-leveled after alignment.
- Mark the center of horizontal line on wall A (point III). Take care that point III is aligned as vertical as possible above or below point I.
- The distance d between marked points I and III on wall A indicates the actual deviation (d) of the tool.



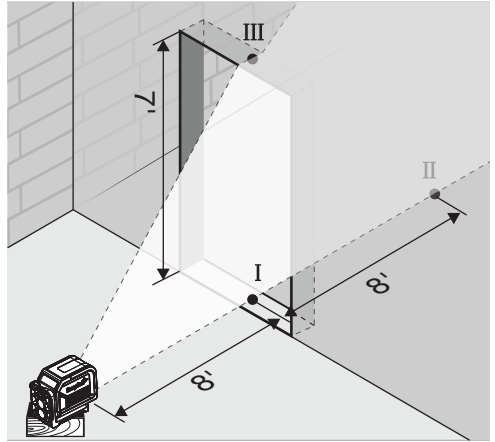
- For the Measuring distance of $2 \times 33' = 66'$, the maximum allowable deviation (d) is: $66' \times \pm 1/4" \div 33' = \pm 1/2"$. Thus, the difference d between points I and III should not exceed 1/2" (max.) at 66'.

Vertical Leveling Accuracy

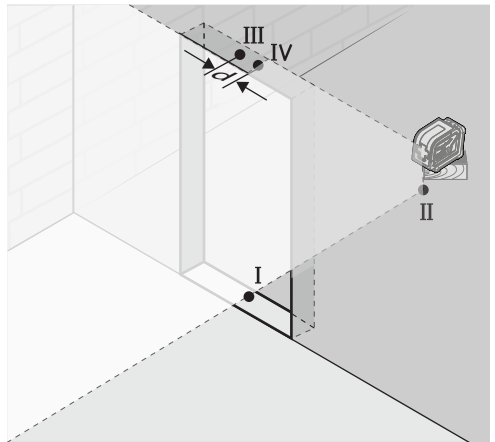
A door opening with approximately 8' of space on each side of the opening is required for this check.

- Securely mount the tool 8' from one side of the door opening.
- Turn the tool to  ON.
- Position the tool with the laser cross towards the door opening. Allow the tool to self-level.

- Mark the center of the vertical laser line on the floor in the middle of the door opening (point I), at a distance of 8' beyond the door opening (point II), and at the upper edge of the door opening (point III).



- Move the laser level directly behind point II on the other side of the door. Align the vertical laser line so the center is directly aligned with points I and II.
- Mark the center of the vertical line at the upper edge of the door opening (point IV).
- Measure the height of the door opening.
- The distance between points III and IV on the upper door opening is the vertical deviation (d) of the tool.



- The maximum vertical deviation (d) is:
 $d_{max} = 2X H$ (door opening) $\times \pm 1/4" \div 33'$
 Example : for a door opening height of 7', the maximum permitted deviation (d) is:
 $d_{max} = 2 \times 7' \times \pm 1/4" \div 33' = \pm 0.11$
 Therefore, the measurement between points III and IV on the upper door opening should not exceed 0.11" in a 7' doorway.

MAINTENANCE

⚠WARNING To reduce the risk of injury, always remove the battery before performing any maintenance. Never disassemble the tool.

Maintain Laser Level

Maintain tools. If damaged, have the tool repaired before use. Accidents may be caused by poorly maintained tools.

⚠WARNING To reduce the risk of personal injury and damage, never immerse your tool in liquid or allow a liquid to flow inside them.

Cleaning

Keep tool handles clean, dry and free of oil or grease. Use only mild soap and a damp cloth to clean the tool since certain cleaning agents and solvents are harmful to plastics and other insulated parts. Some of these include gasoline, turpentine, lacquer thinner, paint thinner, chlorinated cleaning solvents, ammonia and household detergents containing ammonia. Never use flammable or combustible solvents around tools.

Cleaning the Lenses

Blow off loose particles with clean compressed air. Carefully wipe the surface with a cotton swab moistened with water.

Repairs

This tool has limited serviceable parts. Do not open housing or disassemble tool. Contact Empire Level Customer Service for support.

ACCESSORIES

⚠WARNING Use tools only with specifically designated accessories. Use of any other accessories may create risk of injury.

SERVICE - UNITED STATES

1-800-558-0722

Monday-Friday, 8:30 AM - 5:00 PM CST
or visit empire@empirelevel.com

EMPIRE® PRODUCT LIMITED WARRANTY

Every EMPIRE® product is warranted to the original purchaser only to be free from defects in material and workmanship. Subject to certain exceptions, EMPIRE® will repair or replace any the product which, after examination, is determined by EMPIRE® to be defective in material or workmanship for the time period indicated below*. Return of the product to EMPIRE®, freight prepaid and insured, or the place of purchase is required. A copy of the proof of purchase should be included with the return product. This warranty does not apply to damage that EMPIRE® determines to be from misuse, alterations, abuse, normal wear and tear, lack of maintenance or accidents. Bent level frames are a sign of abuse.

*For products bearing the Limited Lifetime Warranty icon, the warranty period for those products is the lifetime of the product** unless otherwise noted. For products bearing the Limited 5-Year Warranty icon, the warranty period for those products is five (5) years from the date of purchase. For products bearing the Limited 1-Year Warranty icon, the warranty period for those products is one (1) year from the date of purchase.

**The warranty period for any electronics in applicable EMPIRE® measuring instruments is one (1) year from the date of purchase. ACCEPTANCE OF THE EXCLUSIVE REPAIR AND REPLACEMENT REMEDIES DESCRIBED HEREIN IS A CONDITION OF THE CONTRACT FOR THE PURCHASE OF EVERY EMPIRE® PRODUCT. IF YOU DO NOT AGREE TO THIS CONDITION, YOU SHOULD NOT PURCHASE THE PRODUCT. IN NO EVENT SHALL EMPIRE® BE LIABLE FOR ANY INCIDENTAL, SPECIAL, CONSEQUENTIAL OR

PUNITIVE DAMAGES, OR FOR ANY COSTS, ATTORNEY FEES, EXPENSES, LOSSES OR DELAYS ALLEGED TO BE AS A CONSEQUENCE OF ANY DAMAGE TO, FAILURE OF, OR DEFECT IN ANY PRODUCT INCLUDING, BUT NOT LIMITED TO, ANY CLAIMS FOR LOSS OF PROFITS. SOME STATES DO NOT ALLOW THE EXCLUSION OR LIMITATION OF INCIDENTAL OR CONSEQUENTIAL DAMAGES, SO THE ABOVE LIMITATION OR EXCLUSION MAY NOT APPLY TO YOU. THIS WARRANTY IS EXCLUSIVE AND IN LIEU OF ALL OTHER EXPRESS WARRANTIES, WRITTEN OR ORAL. TO THE EXTENT PERMITTED BY LAW, EMPIRE® DISCLAIMS ANY IMPLIED WARRANTIES, INCLUDING WITHOUT LIMITATION ANY IMPLIED WARRANTY OF MERCHANTABILITY OR FITNESS FOR A PARTICULAR USE OR PURPOSE; TO THE EXTENT SUCH DISCLAIMER IS NOT PERMITTED BY LAW, SUCH IMPLIED WARRANTIES ARE LIMITED TO THE DURATION OF THE APPLICABLE EXPRESS WARRANTY AS DESCRIBED ABOVE. SOME STATES DO NOT ALLOW LIMITATIONS ON HOW LONG AN IMPLIED WARRANTY LASTS, SO THE ABOVE LIMITATION MAY NOT APPLY TO YOU. THIS WARRANTY GIVES YOU SPECIFIC LEGAL RIGHTS, AND YOU MAY ALSO HAVE OTHER RIGHTS WHICH VARY FROM STATE TO STATE.

This warranty applies to product sold in the U.S.A. and Canada only.

RÈGLES DE SÉCURITÉ GÉNÉRALES RELATIVES AUX OUTILS ÉLECTRIQUES

⚠AVERTISSEMENT Lire et veiller à bien comprendre toutes les instructions. Le non-respect des instructions ci-dessous peut entraîner un choc électrique, un incendie et des blessures graves. Garder tous les avertissements et toutes les consignes à des effets de référence ultérieure.

• **Conserver ces instructions** - Ce manuel d'utilisation contient d'importantes instructions de sécurité et de fonctionnement.

SÉCURITÉ DU LASER

• **⚠AVERTISSEMENT** Le dispositif émet des faisceaux laser, qui sont émis depuis l'appareil.

• **Ce dispositif est conforme à la norme 21 CFR 1040.10 et 1040.11, sauf la conformité à la norme IEC 60825-1 Ed. 3., tel que décrit dans la notice du laser n° 56, du 8 mai 2019.**

• **Lumière laser - Ne pas regarder fixement dans le faisceau ni voir directement la lumière au moyen d'instruments d'optique. Ne pas diriger la lampe laser vers les autres.** La lumière du laser peut causer des lésions oculaires.

SÉCURITÉ DU LIEU DE TRAVAIL

• **Veillez s'assurer qu'il y ait les protections correspondantes au lieu de travail (c'est-à-dire, surveiller le site lorsqu'on mesure les chemins, les chantiers de construction, etc.).**

• **Éviter les environnements dangereux.** Ne pas exposer le dispositif à la pluie ou à la neige et ne pas l'utiliser dans un endroit humide ou mouillé. Ne pas utiliser le dispositif au milieu d'atmosphères explosives (où l'on trouve de fumées gazeuses, de la poussière ou bien, de matériaux inflammables).

SECURITE PERSONNELLE

• **Ne pas laisser personne n'ayant aucune idée de comment ce dispositif fonctionne s'approcher de l'appareil, de ces instructions de sécurité et du manuel d'utilisation.** Ce dispositif peut être dangereux si manipulé par d'utilisateurs novices.

• **Ne pas travailler hors de portée. Toujours se tenir bien campé et en équilibre.** Une bonne stabilité procure un meilleur contrôle du dispositif en cas de situations imprévues.

UTILISATION ET ENTRETIEN DE LA BATTERIE

- Cet outil a été conçu pour fonctionner à 4 piles AA correctement installés dans l'outil. Ne pas tenter d'utiliser le produit à une autre tension ou avec un autre type d'alimentation.
- Ne pas laisser les piles à la portée des enfants.
- Ne pas combiner des piles neuves et usagées. Ne pas mélanger des piles de marques différentes (ou des piles de même marque mais de types différents).
- Ne pas mélanger des piles rechargeables et non rechargeables.
- Mettre les piles en respectant la polarité (+ / -) indiquée.
- Se débarrasser adéquatement des piles usagées.
- Ne pas brûler ni démonter les piles.
- En cas d'usage abusif, du liquide peut s'échapper des piles. Éviter tout contact avec ce liquide. En cas de contact accidentel, rincer immédiatement les parties atteintes avec de l'eau. Si le liquide entre en contact avec les yeux, consulter un médecin. Le liquide s'échappant des batteries peut causer des irritations ou des brûlures.

RÈGLES DE SÉCURITÉ SPÉCIFIQUES POUR LES NIVEAUX LASER

- Faire attention à toute action erronée qui résulte d'une anomalie dans l'outil ou bien, si l'outil est tombé, mal utilisé ou modifié.
- Ne pas se débarrasser de l'outil conjointement avec les piles en les mettant avec les déchets ménagers ! L'outil et les piles qui ont atteint leur durée de vie utile devront être ramassés indépendamment pour les retourner à une installation de recyclage respectueuse de l'environnement.
- Veuillez s'assurer que les aimants de l'outil soient bien fixés à une surface en métal. Il est possible que la puissance de l'aimant l'empêche de se fixer sur de surfaces en métal fines, ce qui causera la chute de l'outil.
- Maintenir en état les étiquettes et les plaques signalétiques. Des informations importantes y figurent. Si elles sont illisibles ou manquantes, contacter Empire pour un remplacement gratuit.
- Le dispositif est conforme aux exigences les plus strictes des Normes et Réglementations de Compatibilité Électromagnétique (EMC). Néanmoins, il n'est pas tout à fait impossible que d'autres dispositifs causent de brouillage.

ATTENTION L'usage de contrôles, de réglages ou de procédures ne figurant pas dans ce manuel peut entraîner l'exposition à de radiations dangereuses.

- Veiller à mettre l'instrument hors tension après l'utilisation. Si l'instrument n'est pas utilisé pendant une longue période, l'entreposer après avoir retiré piles.

FC Federal Communications Commission
AVERTISSEMENT Toute modification apportée à l'unité qui n'a pas été expressément approuvée par le responsable de la conformité du produit pourrait suffire à révoquer le droit de l'utilisateur à se servir de l'équipement.

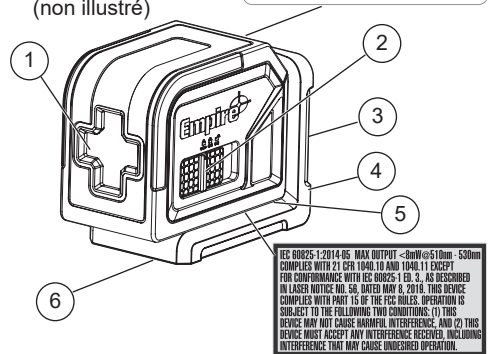
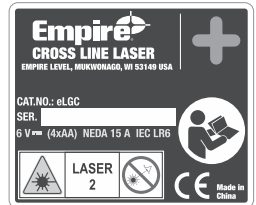
Après avoir effectué un essai à l'équipement, il a été déterminé que celui-ci est conforme aux normes relatives à un appareil numérique de classe B, selon la partie 15 des règles de la FCC. Ces limites sont conçues pour assurer une protection raisonnable contre les perturbations nuisibles dans une installation résidentielle. Cet équipement produit, utilise et peut irradier une énergie haute fréquence et, s'il n'est pas installé conformément aux présentes instructions, peut causer le brouillage des communications radio.

Toutefois, il n'existe aucune garantie que le brouillage ne se produira pas dans une installation donnée. Si cet équipement cause du brouillage de la réception d'émissions de radio ou de télévision, ce qui peut être déterminé en l'éteignant et en le rallumant, il est conseillé que l'utilisateur essaie de corriger le problème en prenant l'une ou plusieurs des mesures suivantes:

- Réorientation de l'antenne réceptrice.
- Augmentation de la distance entre le matériel et le récepteur.
- Consulter le concessionnaire ou un technicien radio/TV qualifié pour obtenir de l'aide.

DESCRIPTION FONCTIONNELLE

1. Ouverture laser
2. Commutateur marche/arrêt
3. Aimants (non illustrés)
4. Plaque de montage intégrée
5. Compartiment des piles
6. Filet rapporté (non illustré)



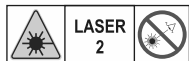
PICTOGRAPHIE



Volts



Courant direct



RAYONNEMENT LASER
NE PAS REGARDER
DIRECTEMENT DANS LE
FAISCEAU
PRODUIT LASER DE
CLASSE 2



Lire le manuel d'utilisation



Marque de conformité aux normes
européennes

SPÉCIFICATIONS

No de Cat.....	eLGC
Tension.....	6 V (4xAA) NEDA 15 A IEC LR6
Classe de laser.....	2
Puissance maximale.....	< 8 mW
Longueur d'onde.....	510 à 530 nm
Divergence du faisceau.....	1 rad
Température d'entreposage.....	-20°C à 60°C (-4°F à 140°F)
Plage de travail.....	23 m (75')
Gamme visible.....	23 m (75')
Précision.....	6 mm (1/4") à 10,1 m (33')
Temps d'ajustage.....	< 4 secondes
Montage de trépied.....	1/4"-20
Indice de protection.....	IP54
Coefficient de chute.....	1 m
Nivellement... Nivellement automatique de ±4° d'un côté à l'autre et de l'avant à l'arrière	
Température de fonctionnement.....	-10°C à 40°C (14°F à 104°F)

MONTAGE DE L'OUTIL

Remplacement des piles

Utiliser uniquement de piles alcalines. Ne pas utiliser de piles au zinc-charbon. Si le laser ne sera pas utilisé pour une longue période, retirer les piles en tant qu'une mesure de protection contre la corrosion. Changer les piles lorsque le témoin de piles commence à clignoter. Pour changer les piles :

1. Soulever le loquet afin d'ouvrir la porte du compartiment de piles.
2. Insérer quatre piles AA, en respectant la polarité +/- indiquée sur le compartiment.
3. Bien fermer la porte du compartiment des piles.

Témoin de charge faible

Pour indiquer une puissance faible de batterie (environ 30 minutes de durée de vie de pile restants*), les lignes du laser clignoteront :

En ON - 3 fois toutes les 4 secondes

En OFF - 3 fois toutes les 8 secondes

Le témoin de charge faible continuera à clignoter jusqu'à ce que les piles soient enlevées et remplacées par d'autres.

Pendant la mise de niveau automatique, l'indicateur de défaut de nivellement (lequel clignotera 3 fois par seconde) désactivera le témoin de charge faible.

*La durée de vie des piles pourra varier d'une marque/temps d'usage à l'autre. Remplacer les piles dès que possible.

MANIEMENT

⚠ AVERTISSEMENT Afin de minimiser le risque de blessures ou d'effets temporaires sur la vision, ne pas regarder directement dans le laser lorsqu'il est allumé.

⚠ PRÉCAUTION L'usage de contrôles, de réglages ou de procédures ne figurant pas dans ce manuel peut entraîner l'exposition à des rayonnements dangereux.

⚠ AVIS Effectuer une révision de précision sur le champ au moment où chaque niveau laser est sorti de sa boîte et avant de l'exposer aux conditions du chantier. Pour de plus amples renseignements, voire la section « Vérification de précision sur champ ».

Mise en marche et à l'arrêt

Pour allumer le laser et déverrouiller le pendule, glisser l'interrupteur vers la position désirée. Deux lignes perpendiculaires seront immédiatement émises depuis les ouvertures.

⚠ AVERTISSEMENT ! Ne pas regarder directement dans le laser lorsqu'il est allumé.

ON ALLUME le laser et déverrouille le pendule à des effets de mise de niveau automatique.

ON ALLUME le laser, mais le pendule n'est pas déverrouillé (la mise de niveau automatique est désactivée). Les lignes du laser clignoteront une fois toutes les 8 secondes pour vous laisser savoir que les lignes projetées ne sont pas nivelées ou en aplomb.

⚠ AVIS Le mode **ON** rend inactive la mise de niveau automatique. Alors, ceci n'est pas conçu pour la projection d'un niveau ou d'une ligne d'aplomb.

OFF ÉTEINT le laser et verrouille le pendule. Lorsqu'il n'est pas utilisé, éteindre l'outil et ranger le niveau laser dans l'étui protectif de transport.

Usage du niveau laser


1. Afin d'achever les meilleurs résultats, mettre l'outil sur une surface de travail qui soit :
 - firme
 - nivelée (environ 4 degrés du niveau réel)
 - exempte de vibrations
2. Allumer l'outil.
3. En mode **ON**, l'outil se mettra de niveau automatiquement lorsqu'il est posé sur de surfaces auprès de 4 degrés du niveau réel.
4. L'outil sera prêt une fois que les lignes émises sont continuées et ne se bougent plus sur la surface de travail.
5. Si l'outil n'arrive pas à achever un état de nivellement (c'est-à-dire, la surface de travail es > 4 degrés hors du niveau réel), les points du laser clignoteront vite (3 flashes par seconde). Ajuster ou rajuster la surface de travail.

Dépannage

Si l'outil ne s'allume pas :

- Veuillez s'assurer que les piles ont été bien mises, en respectant la polarité +/- marqué sur le compartiment.
- Remplacer les piles qui peut-être sont presque épuisées.

• S'assurer que la température interne de l'outil se trouve auprès des plages de fonctionnement indiquées. Si l'outil a été rangé dans des conditions de chaleur ou de froid extrême, le laisser, pendant deux heures, s'ajuster à la température ambiante avant de l'allumer.

• S'assurer que le commutateur se trouve dans la position  ON.

Si le problème persiste, contacter Service à la clientèle d'Empire Level à des fins d'assistance.

REVISION DE PRECISION SUR CHAMP

AVIS Effectuer une révision de précision sur le champ au moment où chaque niveau laser est sorti de sa boîte et avant de l'exposer aux conditions du chantier. Pour de plus amples renseignements, voire la section « Vérification de précision sur champ ». Si jamais une anomalie est trouvée par rapport à l'efficacité listée du produit, veuillez contacter Service à la clientèle d'Empire Level. La faute de cette procédure pourra entraîner le rejet de la réclamation de la garantie.

Influences sur la précision

Les gradients de la température ambiante pourront affecter la précision du laser. Afin d'achever de résultats précis et reproductibles, il faut suivre les étapes de la procédure suivante en tenant le laser élevé du sol et mis au milieu de l'aire de travail.

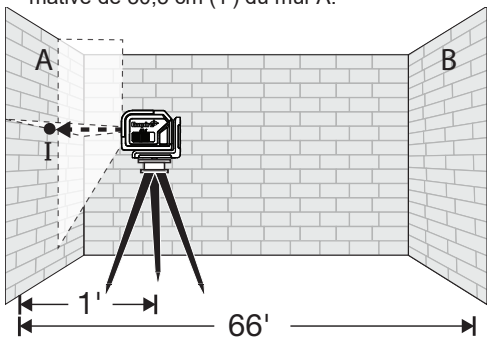
L'usage abusif du niveau laser, tel que les impacts excessifs à cause de chutes, pourront aussi causer de déviations dans la précision du produit.


Il est donc conseillé d'effectuer la procédure de vérification sur champ après tout choc et avant d'entreprendre toute tâche critique.

Précision de hauteur horizontale

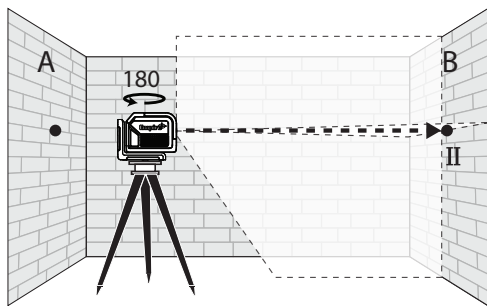
Pour effectuer cette vérification, une jauge de distance de mesure approximative de 20 m (66') dans une surface ferme entre deux murs ou structures A et B est requise.

1. Monter fermement l'outil à une distance approximative de 30,5 cm (1') du mur A.

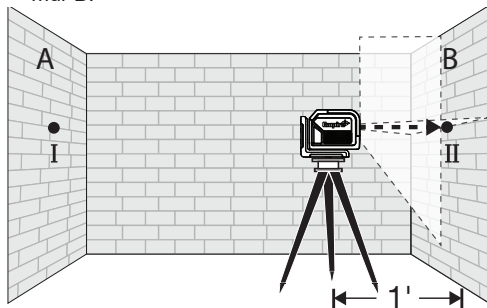


2. Allumer l'outil en le mettant dans la position  ON.
3. Diriger le faisceau avant du laser en direction du mur A le plus proche et laisser l'outil parvenir à se mettre de niveau automatiquement. Marquer le centre du point du laser sur le mur (point I).

4. Tourner l'outil de 180° sans changer la hauteur, le laisser parvenir à se mettre de niveau automatiquement et marquer le point central du point du laser sur le mur B qui se trouve de l'autre côté (point II).

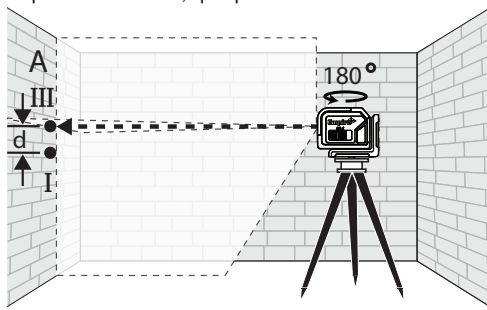


5. Déplacer l'outil à une distance de 30,5 cm (1') du mur B. Allumer l'outil et aligner le point du laser frontal en la direction générale du point II sur le mur B.



6. Ajuster la hauteur de l'outil (à l'aide du trépied ou en ajoutant de cales, si nécessaire) afin d'aligner l'intersection du laser directement sur le point II qui se trouve sur le mur B. Laisser l'outil parvenir à se mettre de niveau automatiquement.

7. Tourner l'outil de 180° sans changer la hauteur, le laisser parvenir à se mettre de niveau automatiquement et marquer le centre de l'intersection du laser sur le mur A (point III). Le point III devra être aligné aussi vertical, au-dessous ou au-dessus du point I du mur A, que possible.



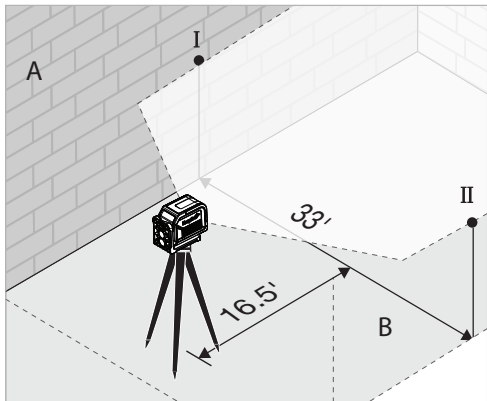
8. La distance entre les points I et III sur le mur A représente la déviation (d) de hauteur de l'outil. Cette distance ne devra pas dépasser 6 mm (1/4") (max.) à 10,1 m (33') (25 mm [1"] à 40 m [132']). Par rapport à la distance de mesure de 2 x 20 m [66'] = 40 m (132'), la déviation maximale permise est : $40 \text{ m (132')} \times \pm 6 \text{ mm } (\pm 1/4") \div 10,1 \text{ m (33')} = 25 \text{ mm } (\pm 1")$.

Précision de nivellement horizontal

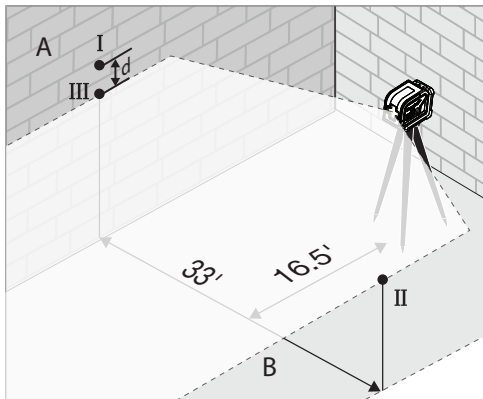
Pour effectuer cette vérification, une jauge d'espace de mesure approximative de 10,1 m x 10,1 m (33'x33') dans une surface ferme entre deux murs ou structures A et B est requise.

Il est aussi conseillé de monter le niveau laser sur un trépied commercial à des fins d'un ajustage facile. Monter fermement l'outil dans un côté de la pièce et le centrer entre les murs A et B. Diriger les lignes du laser vers l'autre côté de la pièce, d'une façon telle que la ligne horizontale se montre sur tous les deux murs, A et B. Laisser l'outil parvenir à se mettre de niveau automatiquement.

1. À une distance de 5 m (16,5') du laser, marquer le centre de la ligne horizontale sur le mur A (point I). Répéter cette même étape pour le mur B (point II).




2. Déplacer le laser de 10,1 m (33') en direction de l'autre mur et tourner le laser de 180°. Laisser le laser parvenir à se mettre de niveau automatiquement.
3. Ajuster la hauteur de l'outil (à l'aide du trépied ou en ajoutant de cales, si nécessaire) d'une façon telle que le centre de la ligne horizontale soit projeté exactement sur le point II marqué auparavant sur le mur B. Veuillez s'assurer que le laser parvienne à se mettre de niveau automatiquement après l'alignement.
4. Marquer le centre de la ligne horizontale sur le mur A (point III). Veuillez prendre soin de que le point III s'aligne, aussi vertical que possible, sur le point I ou au-dessus de ce point.
5. La distance d entre les points I et III marqués sur le mur A représente la déviation réel (d) de l'outil.

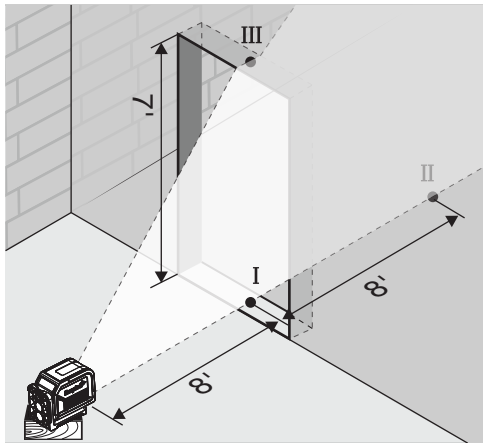


6. Par rapport à la distance de mesure de 2 x 10,1 m (33') = 20 m (66'), la déviation maximale permise (d) est : $20 \text{ m (66')} \times \pm 6 \text{ mm } (\pm 1/4'') \div 10,1 \text{ m (33')} = 13 \text{ mm } (\pm 1/2'')$ La différence d maximale entre les points I et III ne doit donc pas dépasser les 13mm (1/2") à 20 m (66').

Précision de nivellement vertical

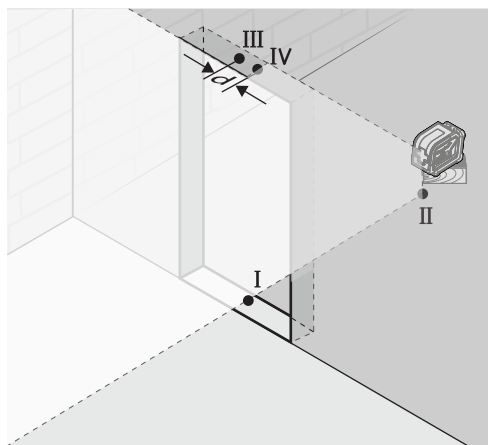
L'ouverture d'une porte ayant vers de 2,4 m (8') de jauge entre chaque côté de l'ouverture est requise afin d'effectuer cette vérification.

1. Monter fermement l'outil à une distance de 2,4 m (8') par rapport à chaque côté de l'ouverture de la porte.
2. Allumer l'outil en le mettant dans la position  ON.
3. Mettre l'outil ayant l'intersection du laser en direction de l'ouverture de la porte. Laisser l'outil parvenir à se mettre de niveau automatiquement.
4. Marquer le centre de la ligne du laser vertical sur le plancher, au milieu de l'ouverture de la porte (point I), à une distance de 2,4 (8') au-delà de l'ouverture de la porte (point II) et sur le bord supérieur de celle-ci (point III).



5. Déplacer le niveau laser directement en arrière du point II sur l'autre côté de la porte. Aligner la ligne du laser vertical d'une façon telle que le centre soit directement aligné sur les points I et II.

6. Marquer le centre de la ligne verticale sur le rebord supérieure de l'ouverture de la porte (point IV).
7. Mesurer la hauteur de l'ouverture de la porte.
8. La distance entre les points III et IV sur l'ouverture de la porte supérieure représente la déviation verticale (d) de l'outil.



9. La déviation verticale maximale (d) est :
 $d_{max} = 2X H$ (ouverture de la porte) $\times \pm 6 \text{ mm}$ ($\pm 1/4''$) $\div 10,1 \text{ m}$ (33').
 Par exemple : pour une hauteur de 2 m (7') d'ouverture de porte, la déviation maximale acceptée (d) est :
 $d_{max} = 2 \times 2 \text{ m}$ (7') $\times \pm 6 \text{ mm}$ ($\pm 1/4''$) $\div 10,1 \text{ m}$ (33')
 $= \pm 2,8 \text{ mm}$ ($\pm 0,11''$)
 La mesure entre les points III et IV sur l'ouverture de la porte supérieure ne devra donc pas dépasser 2,8 mm (0,11") dans une embrasure de porte de 2 m (7').

ENTRETIEN

AVERTISSEMENT Afin de minimiser le risque de blessures, toujours enlever les piles avant d'effectuer tout entretien. Ne jamais démonter l'outil.

Entretien du niveau laser

Entretien des outils. En cas de dommages, faire réparer l'outil avant de l'utiliser. Les accidents pourront survenir à cause d'outils mal entretenus.

AVERTISSEMENT Afin de minimiser le risque de blessures physiques ou de dommages, ne jamais immerger l'outil dans un liquide et ne laisser aucun liquide entrer dans l'outil.

Nettoyage

Garder les poignées de l'outil propres, sèches et exemptes d'huile ou de graisse. Utiliser uniquement un savon doux et un linge humide, car certains agents de nettoyage et certains solvants peuvent détériorer le plastique et les autres pièces isolées. En voici quelques exemples : l'essence, la térébenthine, les diluants à laque ou à peinture, les solvants chlorés, l'ammoniaque et les détergents à usage domestique qui en contiennent. Ne jamais utiliser de solvants inflammables ou combustibles autour des outils.

Nettoyage des lentilles

Souffler les particules volantes à l'aide de l'air comprimé propre. Nettoyer soigneusement la surface à l'aide d'un coton-tige imbibé de l'eau.

Réparations

Cet outil comporte de pièces desservables limitées. Ne pas ouvrir la boîte et ne pas désarmer l'outil. Contacter Service à la clientèle d'Empire Level à des fins d'assistance.

ACCESSOIRES

AVERTISSEMENT N'utiliser les outils qu'avec les accessoires spécifiquement recommandés. L'usage de tout autre accessoire peut entraîner un risque de blessure.

DEPANNAGE - ÉTATS-UNIS

1-800-558-0722

Lundi à vendredi, 8h30 à 18h00, CST
 ou envoyer un courriel à l'adresse
empire@empirelevel.com

GARANTIE LIMITÉE DU PRODUIT EMPIRE®

Tous les produits EMPIRE® sont garantis à l'acheteur d'origine d'être exempts de vice du matériel ou de fabrication. Sous réserve de certaines exceptions, EMPIRE® réparera ou remplacera un produit qui, après examen, sera confirmé par EMPIRE® d'être affecté d'un vice du matériel ou de fabrication pendant la période de garantie mentionnée ci-dessous*. Il est obligatoire de retourner le produit à EMPIRE®, en port prépayé et assuré, ou à l'endroit où l'outil a été acheté. Une copie de la preuve d'achat doit être présentée lors du retour du produit. Cette garantie ne couvre pas les dommages qu'EMPIRE® détermine d'être causés par des réparations ou des tentatives de réparation résultant des utilisations incorrectes, des altérations, des utilisations abusives, d'une usure normale, d'une carence d'entretien ou des accidents. Les cadres tordus du niveau sont un signe d'abus.

*Pour les produits ayant l'icône de Garantie Limitée à Vie, la période de la garantie pour ces produits correspondra à toute la vie du produit** sauf indication contraire. Pour les produits ayant l'icône de Garantie Limitée à 5 Ans, la période de la garantie pour ces produits sera de cinq (5) ans après la date d'achat. Pour les produits ayant l'icône de Garantie Limitée à 1 An, la période de la garantie pour ces produits est d'un (1) an après la date d'achat.

**La période de la garantie de tout appareil électronique faisant partie des instruments de mesure EMPIRE® correspondants sera d'un (1) an après la date d'achat. L'ACCEPTATION DES RECOURS EXCLUSIFS DE RÉPARATION ET DE REMPLACEMENT DÉCRITS PAR LA PRÉSENTE EST UNE CONDITION DU CONTRAT D'ACHAT DE TOUT PRODUIT EMPIRE®. SI VOUS N'ACCEPTEZ PAS CETTE CONDITION, VOUS NE DEVEZ PAS ACHETER LE PRODUIT. EN AUCUN CAS EMPIRE® NE SAURAIT ÊTRE RESPONSABLE DE TOUT DOMMAGE ACCESSOIRE, SPÉCIAL OU INDIRECT, DE DOMMAGES-INTÉRÊTS PUNITIFS OU DE TOUTE DÉPENSE, D'HONORAIRES D'AVOCATS, DE FRAIS, DE PERTE OU DE DÉLAIS ACCESSOIRES À TOUT DOMMAGE, DÉFAILLANCE OU DÉFAUT DE TOUT PRODUIT, Y COMPRIS NOTAMMENT LES PERTES DE PROFIT. CERTAINS ÉTATS ET PROVINCES NE PERMETTANT L'EXCLUSION OU LA LIMITATION DES DOMMAGES DIRECTS OU INDIRECTS, LES RESTRICTIONS CI-DESSOUS PEUVENT NE PAS ÊTRE APPLICABLES. CETTE GARANTIE EST EXCLUSIVE ET REMPLACE TOUTE AUTRE GARANTIE EXPRESSE, QU'ELLE SOIT VERBALE OU ÉCRITE, DANS LA MESURE PERMISE PAR LA LOI. EMPIRE® RENONCE À TOUTE GARANTIE IMPLICITE, Y COMPRIS, SANS S'Y LIMITER, TOUTE GARANTIE IMPLICITE DE QUALITÉ MARCHANDE OU D'ADAPTATION À UNE UTILISATION OU À UNE FIN PARTICULIÈRE. DANS LA MESURE OU UNE TELLE STIPULATION D'EXONÉRATION N'EST PAS PERMISE PAR LA LOI. LA DURÉE DE CES GARANTIES IMPLICITES EST LIMITÉE À LA PÉRIODE APPLICABLE DE LA GARANTIE EXPRESSE, TEL QUE CELA EST DÉCRIT PRÉCÉDEMMENT. CERTAINS ÉTATS ET PROVINCES NE PERMETTANT PAS DE LIMITATION DE DURÉE DES GARANTIES IMPLICITES, LES RESTRICTIONS CI-DESSUS PEUVENT NE PAS ÊTRE APPLICABLES. LA PRÉSENTE CONFÈRE À L'UTILISATEUR DES DROITS LÉGAUX PARTICULIERS : IL BÉNÉFICIE ÉGALEMENT D'AUTRES DROITS QUI VARIENT D'UN ÉTAT À L'AUTRE.

Cette garantie s'applique aux produits vendus aux États-Unis et au Canada uniquement.

ADVERTENCIAS DE SEGURIDAD GENERALES PARA LA HERRAMIENTA ELÉCTRICA

▲ADVERTENCIA Lea y comprenda todas las instrucciones. No seguir todas las instrucciones que se enumeran a continuación podría provocar una descarga eléctrica, incendio o lesiones graves. **Guarde todas las advertencias e instrucciones para futura consulta.**

• **Guarde estas instrucciones:** este manual del operador contiene instrucciones importantes de seguridad y operación.

SEGURIDAD DEL LÁSER

• **▲ADVERTENCIA** El dispositivo produce rayos láser visibles, los cuales son emitidos desde el aparato.

• Este dispositivo cumple con la norma 21 CFR 1040.10 y 1040.11, excepto de conformidad con la norma IEC 60825-1 Ed. 3., descrita en el aviso del láser No. 56, con fecha del 8 de mayo de 2019.

• **Luz láser:** no mire fijamente el rayo ni lo vea directamente con instrumentos ópticos. No dirija la luz láser a otras personas. La luz láser puede causar daño a los ojos.

SEGURIDAD EN EL ÁREA DE TRABAJO

• **Asegúrese de que haya protecciones adecuadas en el sitio de trabajo** (por ej., revisión del sitio al realizar mediciones en carreteras, obras de construcción, etc.).

• **Evite los entornos peligrosos.** Evite la exposición prolongada en la lluvia, nieve o lugares húmedos o mojados. No se use en presencia de atmósferas explosivas (vapores gaseosos, polvo o materiales inflamables).

SEGURIDAD PERSONAL

• **No permita que operen esta herramienta personas que no estén familiarizadas con el aparato, estas instrucciones de seguridad y el manual del operador de la herramienta.** Este aparato puede ser peligroso en manos de usuarios sin capacitación.

• **No estire el cuerpo demasiado.** Mantenga una posición segura y equilibrada adecuada en todo momento. Esto permite un mejor control del aparato en situaciones inesperadas.

USO Y CUIDADO DE LAS HERRAMIENTAS CON BATERÍA

• **Esta herramienta está diseñada para funcionar con 4 baterías AA insertadas correctamente en la herramienta.** No intente utilizarla con otro voltaje o fuente de alimentación.

• **No deje las baterías al alcance de los niños.**

• **No mezcle baterías nuevas y usadas. No mezcle marcas (o diferentes tipos de las mismas marcas) de baterías.**

• **No mezcle baterías recargables y no recargables.** • **Instale la batería de acuerdo con los diagramas de polaridad (+/-).**

• **De inmediato, deseché correctamente las baterías usadas.**

• **No incinere ni desmantele las baterías.**

• **Bajo condiciones de maltrato, el líquido puede ser expulsado de la batería, evite el contacto.** Si ocurre un contacto accidental, enjuague con agua. Si el líquido entra a los ojos, busque también ayuda médica. El líquido expulsado de la batería puede causar irritación o quemaduras.

REGLAS ESPECÍFICAS DE SEGURIDAD PARA LOS NIVELES DE LÁSER

• **Esté alerta a resultados erróneos si la herramienta está defectuosa o si cayó al suelo, se utilizó incorrectamente o se modificó.**

• **¡No deseché la herramienta ni las baterías junto con material de agua doméstica!** Los aparatos y las baterías que hayan llegado al final de su vida deben recolectarse por separado y devolverse a un centro de reciclado ambientalmente compatible.

• **Asegúrese de que los imanes de la herramienta estén montados fijamente a una superficie de metal.** La fuerza del imán puede no sostenerse en superficies metálicas delgadas, provocando que se caiga la herramienta.

• **Conserve las etiquetas y las placas nominales.** Incluyen información importante. Si son ilegibles o no están presentes, comuníquese con EMPIRE para obtener un reemplazo gratuito.

• **El dispositivo cumple con los requisitos más exigentes de las normas y reglamentos relevantes de compatibilidad electromagnética (EMC).** Sin embargo, no puede excluirse por completo la posibilidad de que se ocasione interferencia en otros dispositivos.

• **▲ADVERTENCIA** El uso de controles o ajustes, o el desempeño de los procedimientos que no sean los que se especifican aquí puede provocar una exposición peligrosa a la radiación.

• **Asegúrese de apagar el instrumento después de utilizarlo.** Cuando no se utilice el instrumento por un período largo, almacénelo después de retirar las baterías.

FCC Comisión Federal de Comunicaciones

• **▲ADVERTENCIA** Los cambios o modificaciones realizados a esta unidad que no sean expresamente aprobados por la parte responsable del cumplimiento podrían anular la autoridad del usuario para operar el equipo.

Este equipo ha sido probado y se ha encontrado que cumple con los límites de un dispositivo digital de Clase B, en cumplimiento con la parte 15 de las reglas de la FCC. Estos límites están diseñados para proporcionar protección razonable contra la interferencia nociva en una instalación residencial. Este equipo genera, usa y puede irradiar energía de radiofrecuencia y, si no se instala y se utiliza de acuerdo con las instrucciones, puede ocasionar interferencia nociva con las comunicaciones por radio.

Sin embargo, no existe garantía de que no ocurra interferencia en una instalación en particular. Si este equipo ocasiona interferencia nociva con la recepción de radio o televisión que pueda determinarse encendiendo y apagando el equipo, se anima al usuario a intentar corregir la interferencia mediante una o más de las siguientes medidas:

• Reorientar o reubicar la antena receptora.

• Aumentar la distancia entre el equipo y el receptor.

• Consulte al distribuidor o a un técnico experimentado de radio/TV para solicitar ayuda.

SIMBOLOGÍA



Volts



Corriente continua



RADIACIÓN DEL LÁSER
NO MIRE FIJAMENTE AL RAYO
PRODUCTO LÁSER DE CLASE 2



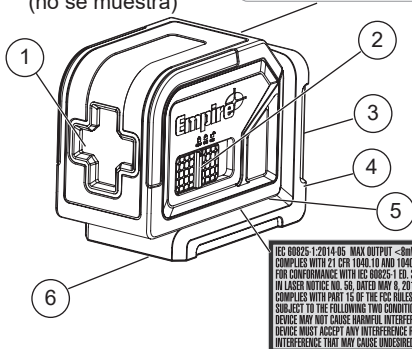
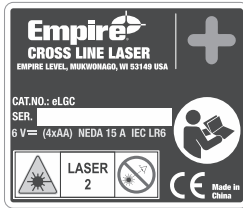
Lea el manual del operador



Marca de conformidad Europea

DESCRIPCIÓN FUNCIONAL

1. Abertura del láser
2. Interruptor de encendido/apagado
3. Imanes (no se muestran)
4. Montura integrada
5. Compartimento de las baterías
6. Inserto roscado (no se muestra)



IEC 80025-1:2014-05 MAX OUTPUT $80\text{mW}@510\text{nm}$ 500nm COMPLEX WITH 21 SPK (040-10 AND 1940-11) EXCEPT FOR COMPLIANCE WITH IEC 80025-1 (3), 2, 30 REVISION IN LASER NOTICE NO. 56 DATED MAY 8, 2018. THIS DEVICE COMPLEX WITH PART 15 OF THE FCC RULES. OPERATION IS SUBJECT TO THE FOLLOWING TWO CONDITIONS: (1) THIS DEVICE MUST NOT CAUSE HARMFUL INTERFERENCE, AND (2) THIS DEVICE MUST ACCEPT ANY INTERFERENCE RECEIVED, INCLUDING INTERFERENCE THAT MAY CAUSE UNDESIRABLE OPERATION.

ESPECIFICACIONES

Cat. No.	eLGC
Voltaje	6 V (4xAA) NEDA 15 A IEC LR6
Láser clase	2
Potencia máx.	<math>< 8\text{ mW}</math>
Longitud de onda	510 a 530 nm
Divergencia de rayo	1 rad
Temperatura de almacenamiento	-20°C a 60°C (-4°F a 140°F)
Rango de operación	23 m (75')
Rango visible	23 m (75')
Precisión	6 mm (1/4") a 10,1 m (33')
Tiempo de fijación	<math>< 4\text{ segundos}</math>
Montura del trípode	1/4"-20
Protección contra ingreso de basura	IP54
Clasificación de caída de	1 m
Nivelación	Automática de $\pm 4^\circ$ de lado a lado, adelante hacia atrás
Temperatura de operación	-10°C a 40°C (14°F a 104°F)

ENSAMBLAJE

Cambio de batería

Use solamente baterías alcalinas. No utilice baterías de zinc-carbón. Si no se usará el láser durante mucho tiempo, retire las baterías como protección anticorrosiva.

Cambie las baterías cuando el indicativo de baterías empiece a parpadear. Para cambiar las baterías:

1. Levante el pestillo para abrir la puerta de la batería.
2. Inserte cuatro baterías AA de acuerdo con la polaridad +/- marcada en el compartimiento.
3. Instale firmemente la puerta de la batería.

Indicador de batería baja

Para indicar un nivel bajo de batería (aproximadamente 30 minutos restantes de batería*), las líneas del láser parpadearán:

En ON - 3 veces cada 4 segundos

En ON - 3 veces cada 8 segundos

El indicador de batería baja que parpadea continuará hasta que se retiren y reemplacen las baterías.

Durante la autonivelación, el indicador de fuera de nivel (parpadea 3 veces por segundo) anulará el indicador de batería baja.

*La duración de la batería puede variar entre marcas y edad. Reemplace las baterías tan pronto como sea posible.

OPERACION

ADVERTENCIA Para reducir el riesgo de lesiones o efectos temporales en la vista, no mire directamente hacia el láser cuando esté encendido.

PRECAUCIÓN El uso de controles o ajustes, o el desempeño de los procedimientos que no sean los que se especifican aquí puede provocar una exposición peligrosa a la radiación.

AVISO Realice inmediatamente el procedimiento de revisión del campo de precisión al abrir el paquete de cada nivel láser nuevo y antes de exponerlo a condiciones del sitio de trabajo. Consulte la sección de "Revisión del campo de precisión" para más información.

Encendido en ON/OFF

Para encender el láser, desbloquee el péndulo y deslice el interruptor a la posición deseada. Se emitirán inmediatamente desde las aberturas dos líneas perpendiculares.

ADVERTENCIA! No mire directamente a las aberturas del láser.


ON Enciende el láser y desbloquea el péndulo para poder autonivelarse.

ON Enciende el láser, pero no desbloquea el péndulo (se deshabilita la autonivelación). Las líneas del láser parpadearán una vez cada 8 segundos para indicar que las líneas proyectadas no están niveladas o de plomada.

AVISO El modo en ON deshabilita la autonivelación y, por lo tanto, no debe usarse para proyectar una línea nivelada o de plomada.


OFF Apaga el láser y bloquea el péndulo. Cuando no esté en uso, apague la herramienta y almacene el nivel láser en el estuche de transporte protector.

Uso del nivel de láser

1. Para mejores resultados, coloque la herramienta en una superficie que sea:
 - robusta
 - nivel (con 4 grados de nivel verdadero)
 - sin vibraciones
2. Encienda la herramienta.
3. En el modo  ON, la herramienta se autonivelará cuando se coloque en superficies con 4 grados de nivel verdadero.
4. La herramienta está lista una vez que las líneas emitidas son continuas y ya no se mueven en la superficie de trabajo.
5. Si la herramienta no puede lograr un estado de nivelación (es decir, la superficie de trabajo tiene una desnivelación verdadera mayor a 4 grados), los puntos láser parpadearán rápidamente (3 parpadeos por segundo). Vuelva a colocarla o ajuste la superficie de trabajo.

Resolución de problemas

Si la herramienta no enciende:

- Asegúrese de insertar correctamente las baterías de acuerdo con la polaridad +/- marcada en el compartimiento.
- Reemplace las baterías que puedan estar caducando.
- Asegúrese de que la temperatura interna de la herramienta se encuentra dentro de los rangos operativos especificados. Si se almacenan en calor o frío excesivo, permita que transcurran al menos 2 horas para aclimatarse a temperatura ambiente antes de encender la herramienta.
- Asegúrese de que el interruptor esté en la posición de  ON.

Si el problema continúa, contacte a Servicio al cliente de niveles de Empire para que le apoyen.

REVISIÓN DEL CAMPO DE PRECISIÓN

AVISO Realice inmediatamente el procedimiento de revisión del campo de precisión al abrir el paquete de cada nivel láser nuevo y antes de exponerlo a condiciones del sitio de trabajo. Consulte la sección de "Revisión del campo de precisión" para más información. En caso de que encuentre alguna desviación en la precisión del producto, contacte a Servicio al cliente de niveles de Empire. El no hacerlo puede provocar que se rechace una reclamación de la garantía.

Influencias sobre la precisión

Los gradientes de la temperatura ambiente pueden afectar la precisión láser. Para obtener resultados precisos y repetibles, debe realizarse el siguiente procedimiento con el láser elevado del piso y colocado en el centro del área de trabajo.

El manejo incorrecto del nivel láser, como impactos excesivos por caídas, también puede provocar desviaciones en la precisión del producto.

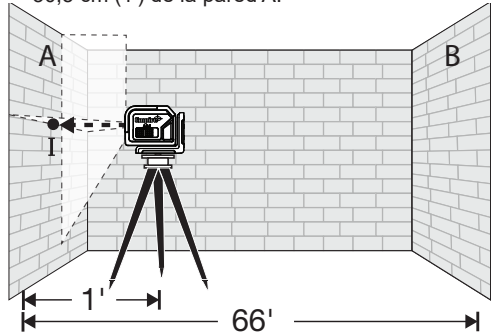
Por lo tanto, se recomienda realizar un procedimiento de revisión del campo después de cualquier impacto o antes de completar cualquier trabajo esencial.


Precisión de la altura horizontal

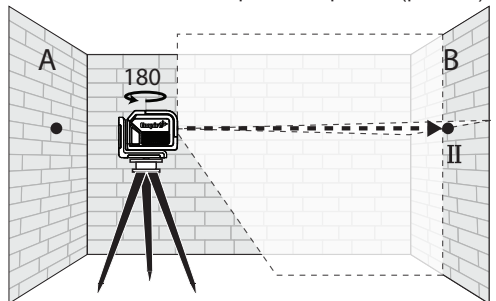
Se necesita una distancia de medición libre de aproximadamente 20 m (66') sobre una superficie firme entre dos paredes o estructuras A y B para esta revisión.


También se sugiere montar el nivel láser sobre un trípode disponible comercialmente para un fácil ajuste.

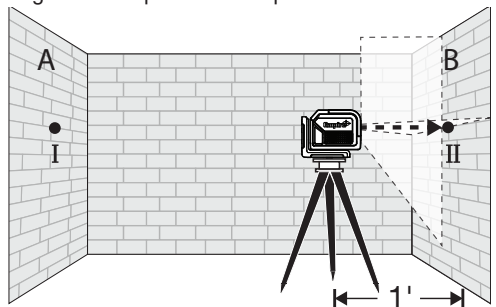
1. Monte fijamente la herramienta a una distancia de 30,5 cm (1') de la pared A.



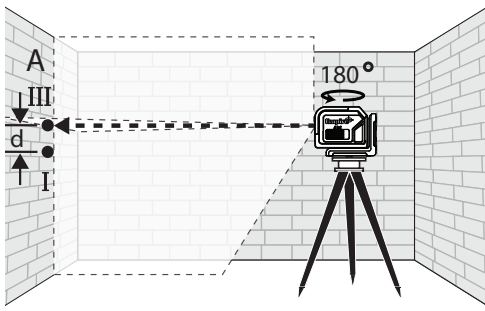
2. Encienda la herramienta en  ON.
3. Dirija el rayo láser frontal contra la pared A más cercana y permita la autonivelación. Marque el centro del cruce láser en la pared A (punto I).
4. Gire la herramienta 180° sin cambiar la altura, permita que se autonivele y marque el centro de la cruz del láser en la pared B opuesta (punto II).



5. Mueva la herramienta a una distancia de 30,5 cm (1') de la pared B. Encienda la herramienta en  ON y alinee la cruz del láser frontal en dirección general del punto II en la pared B.



6. Ajuste la altura de la herramienta (con un trípode o con calzas, de ser necesario) para alinear la cruz del láser directamente al punto II en la pared B. Permita que la herramienta se autonivele.
7. Gire la herramienta 180° sin cambiar la altura, permita que se autonivele y marque el centro de la cruz del láser en la pared A (punto III). El punto III debe estar alineado lo más verticalmente posible arriba o debajo del punto I en la pared A.



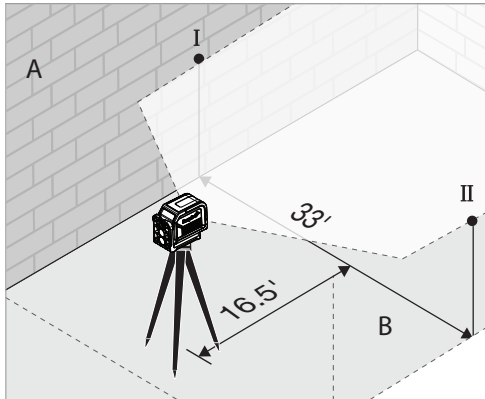
8. La distancia entre los puntos I y III en la pared A es la desviación (d) de la altura de la herramienta. Esta distancia no debe superar 6 mm (1/4") como máximo a 10,1 m (33') (25 mm a 40 m (1" a 132')). Para la distancia de medición de $2 \times 20 \text{ m} = 40 \text{ m}$ ($2 \times 66' = 132'$), la desviación máxima permitida es: $40 \text{ m} \times \pm 6 \text{ mm} \div 10,1 \text{ m} = \pm 25 \text{ mm}$ ($132' \times \pm 1/4" \div 33' = \pm 1"$)

Precisión de nivelación horizontal

Se necesita un espacio de medición libre de aproximadamente 10,1 m x 10,1 m (33' x 33') sobre una superficie firme entre dos paredes o estructuras A y B para la revisión.

También se sugiere montar el nivel láser sobre un trípode disponible comercialmente para un fácil ajuste. Monte fijamente la herramienta en un lado de la habitación y centrado entre las paredes A y B. Dirija las líneas del láser hacia el otro lado de la habitación, de tal forma que la línea horizontal aparezca en ambas paredes A y B. Permita que el láser se autonivele.

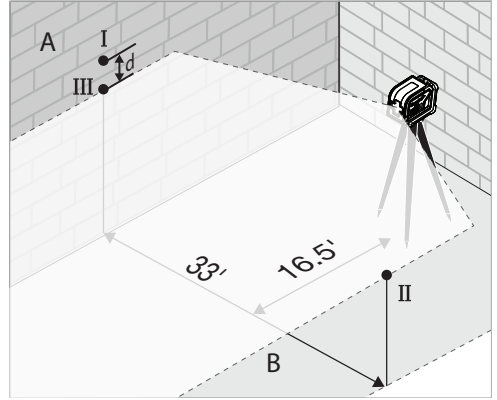
1. A una distancia de 5 m (16,5') del láser, marque el centro de la línea horizontal en la pared A (punto I). Repita el paso en la pared B (punto II).



2. Mueva el láser 10,1 m (33') hacia la pared opuesta y gire el láser 180°. Permita que el láser se autonivele.
3. Ajuste la altura de la herramienta (con un trípode o con calzas, de ser necesario) para que el centro de la línea horizontal se proyecte exactamente contra el punto II previamente marcado en la pared B. Asegúrese de que el láser se autonivele después de la alineación.
4. Marque el centro de la línea horizontal en la pared A (punto III). Asegúrese de que el punto III esté

alineado lo más verticalmente posible por encima o por debajo del punto I.

5. La distancia d entre los puntos I y III marcados en la pared A indica la desviación (d) real de la herramienta.

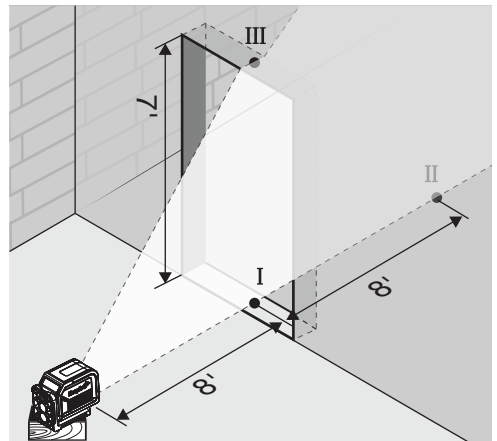


6. Para la distancia de medición de $2 \times 10,1 \text{ m}$ (33') = 20 m ($2 \times 33' = 66'$), la desviación (d) máxima permitida es: $20 \text{ m} \times \pm 6 \text{ mm} \div 10,1 \text{ m} = \pm 13 \text{ mm}$ ($66' \times \pm 1/4" \div 33' = \pm 1/2"$) Así, la diferencia d entre los puntos I y III no debe exceder 13 mm (1/2") (máximo) a 20 m (66').

Precisión de nivelación vertical

Se requiere una puerta que abra con aproximadamente 2,4 m (8') de espacio en cada lado de la abertura para esta revisión.

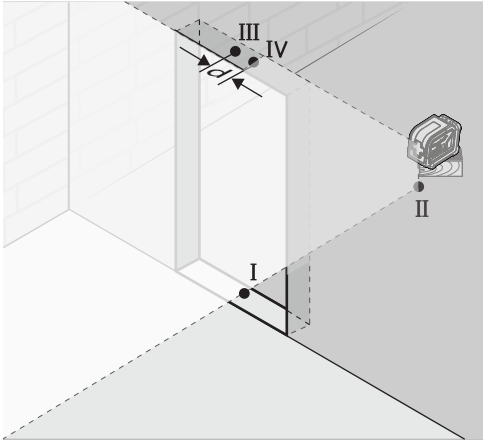
1. Monte con firmeza la herramienta a 2,4 m (8') de un lado de la abertura de la puerta.
2. Encienda la herramienta en **ON**.
3. Posicione la herramienta con la cruz del láser hacia la abertura de la puerta. Permita que la herramienta se autonivele.
4. Marque el centro de la línea vertical del láser en el piso, en medio de la abertura de la puerta (punto I), a una distancia de 2,4 m (8') más allá de la abertura de la puerta (punto II) y en el borde superior de la abertura de la puerta (punto III).



5. Mueva el nivel del láser directamente detrás del punto II en el otro lado de la puerta. Alinee la

línea láser vertical a modo de que el centro esté alineado directamente con los puntos I y II.

- Marque el centro de la línea vertical en el borde superior de la abertura de la puerta (punto IV).
- Mida la altura de la abertura de la puerta.
- La distancia entre los puntos III y IV en la abertura superior de la puerta es la desviación (d) de la herramienta.



- La desviación (d) vertical máxima es:
 $d_{max} = 2X A$ (abertura de la puerta) $\times \pm 6 \text{ mm} \div 10,1 \text{ m}$ ($2XA$ (abertura de la puerta) $\times \pm 1/4" \div 33'$).
Ejemplo: para la altura de la abertura de una puerta de 2 m (7'), la desviación (d) máxima permitida es:
 $d_{max} = 2 \times 2 \text{ m} \times \pm 6 \text{ mm} \div 10,1 \text{ m} = \pm 2,8 \text{ mm}$
($2 \times 7' \times \pm 1/4" \div 33' = \pm 0,11"$)
Por lo tanto, la medida entre los puntos III y IV en la abertura superior de la puerta no debe exceder 2,8 mm (0,11") en una puerta de 2 m (7').

MANTENIMIENTO

ADVERTENCIA Para reducir el riesgo de lesión, siempre retire las baterías antes de realizar algún mantenimiento. Nunca desarme la herramienta.

Mantenimiento del nivel láser

Dé mantenimiento a las herramientas. Si se dañan, asegúrese de que la herramienta sea reparada antes de utilizarse. La falta de mantenimiento de las herramientas puede ocasionar accidentes.

ADVERTENCIA Para reducir el riesgo de lesiones personales y daños materiales, nunca sumerja su herramienta en líquido ni permita que un líquido fluya hacia su interior.

Limpieza

Mantenga las manijas de la herramienta limpias, secas y libres de aceite o grasa. Use solamente jabón suave y un paño húmedo para limpiar, puesto que ciertos agentes de limpieza y solventes son dañinos para los plásticos y otras piezas aisladas. Algunos de estos incluyen la gasolina, trementina, adelgazador de barniz, adelgazador de pintura, solventes de limpieza con blanqueador, amoníaco y detergentes caseros que contienen amoníaco. Nunca use solventes inflamables o combustibles alrededor de las herramientas.

Limpieza de las lentes

Sople las partículas sueltas con aire comprimido limpio. Limpie cuidadosamente la superficie con un hisopo de algodón humedecido con agua.

Reparaciones

Esta herramienta tiene partes de mantenimiento limitadas. No abra la carcasa ni desensamble la herramienta. Contacte a servicio al cliente de niveles de Empire para que le apoyen.

ACCESORIOS

ADVERTENCIA Use las herramientas únicamente con accesorios específicamente designados. El uso de cualquier otro accesorio puede ocasionar un riesgo de lesiones.

SERVICIO: ESTADOS UNIDOS

1-800-558-0722

Lunes a viernes, 8:30 a. m. a 5:00 p. m. CST

o visite empire@empirelevel.com

GARANTÍA LIMITADA DEL PRODUCTO EMPIRE®

Cada producto de EMPIRE® está garantizado para el comprador original únicamente de que no tenga material y mano de obra defectuosos. Sujeto a ciertas excepciones, EMPIRE® reparará o reemplazará cualquier producto que, después de examinarse, EMPIRE® determine que el material o la mano de obra está defectuoso durante el periodo que se indica a continuación*. Devuelva el producto a EMPIRE® con el flete prepagado y asegurado, o el lugar de compra. Se debe incluir una copia del comprobante de compra con el producto devuelto. Esta garantía no aplica a daños que EMPIRE® determine que son de uso indebido, alteraciones, maltrato, desgaste normal, falta de mantenimiento o accidentes. Los marcos doblados del nivel representan un signo de mal uso.

*Para los productos que incluyen el ícono de Garantía limitada de por vida, el periodo de la garantía de esos productos es la vida del producto**, a menos que indique lo contrario. Para los productos que incluyen el ícono de Garantía limitada por 5 años, el periodo de la garantía de esos productos es de cinco (5) años a partir de la fecha de compra. Para los productos que incluyen el ícono de Garantía limitada por 1 año, el periodo de la garantía de esos productos es de un (1) año a partir de la fecha de compra.

**El periodo de garantía de cualquier producto electrónico en instrumentos de medición EMPIRE® correspondientes es de un (1) año a partir de la fecha de compra. LA ACEPTACIÓN DE LOS REMEDIOS EXCLUSIVOS DE REPARACIÓN Y REEMPLAZO AQUÍ DESCRITOS ES UNA CONDICIÓN DEL CONTRATO PARA LA COMPRA DE TODO PRODUCTO DE EMPIRE®. SI USTED NO ACEPTA ESTA CONDICIÓN, NO DEBE COMPRAR EL PRODUCTO. EMPIRE® NO SERÁ RESPONSABLE EN NINGÚN CASO DE DAÑOS INCIDENTALES, ESPECIALES, EMERGENTES O PUNITIVOS NI, DE NINGÚN COSTO, HONORARIOS LEGALES, GASTOS, PÉRDIDAS O DEMORAS ALEGADAS COMO CONSECUENCIA DE ALGUNO DAÑO, FALLA O DEFECTO EN NINGÚN PRODUCTO, INCLUYENDO, ENTRE OTROS, RECLAMACIONES POR PÉRDIDA DE UTILIDADES. ALGUNOS ESTADOS NO PERMITEN LA EXCLUSIÓN O LIMITACIÓN DE RESPONSABILIDAD POR DAÑOS INCIDENTALES O EMERGENTES, POR LO QUE LA ANTERIOR LIMITACIÓN O EXCLUSIÓN PODRÍA NO APLICARSE EN SU CASO. ESTA GARANTÍA ES EXCLUSIVA Y REEMPLAZA TODAS LAS DEMÁS GARANTÍAS EXPRESAS, ESCRITAS U ORALES. HASTA DONDE PERMITA LA LEY, EMPIRE® DESCONOCE CUALQUIER GARANTÍA IMPLÍCITA, INCLUYENDO SIN LIMITACIÓN CUALQUIER GARANTÍA IMPLÍCITA DE COMERCIABILIDAD O IDONEIDAD PARA UN FIN O USO ESPECÍFICO; HASTA EN QUE DICHO DESCONOCIMIENTO NO SEA PERMITIDO POR LA LEY, DICHAS GARANTÍAS IMPLÍCITAS SE LIMITAN A LA DURACIÓN DE LA GARANTÍA EXPRESA CORRESPONDIENTE SEGÚN LO ARRIBA DESCRITO. ALGUNOS ESTADOS NO PERMITEN LIMITACIONES EN DURACIÓN DE UNA GARANTÍA IMPLÍCITA, POR LO QUE LA ANTERIOR LIMITACIÓN PUDIERA NO APLICAR A USTED. ESTA GARANTÍA LE DA DERECHOS LEGALES ESPECÍFICOS Y USTED PODRÍA ADEMÁS TENER OTROS DERECHOS QUE VARIAN DE UN ESTADO A OTRO.

Esta garantía aplica al producto vendido en los Estados Unidos y Canadá únicamente.

MILWAUKEE TOOL
13135 West Lisbon Road
Brookfield, WI 53005 USA

58140310d2
08/20

00658140310Q0-02(A)
Printed in China