

# Linear Convactor Baseboard Heater

The Linear Convactor Baseboard is designed with the professional electrician in mind. All aspects of installation and performance have been optimized for simplicity and reliability, while the benchmark styling is maintained.

## Features

- Exclusive design for electrical distributors; 10-20% shorter than conventional baseboards with discreet styling
- Rear junction box for easy wiring
- L-slot side cover easily slides out without removing the screw
- Ships ready to install with front cover removed
- Superior shark-fin blade design for improved heat transfer, quiet operation and longer life
- Full length automatic overheat cut-out for safety
- May be used with wall, or top mounted built-in thermostat (not included)
- Built-in wire way along the full length of the unit

## Applications

- All residential applications, commercial offices and lobbies

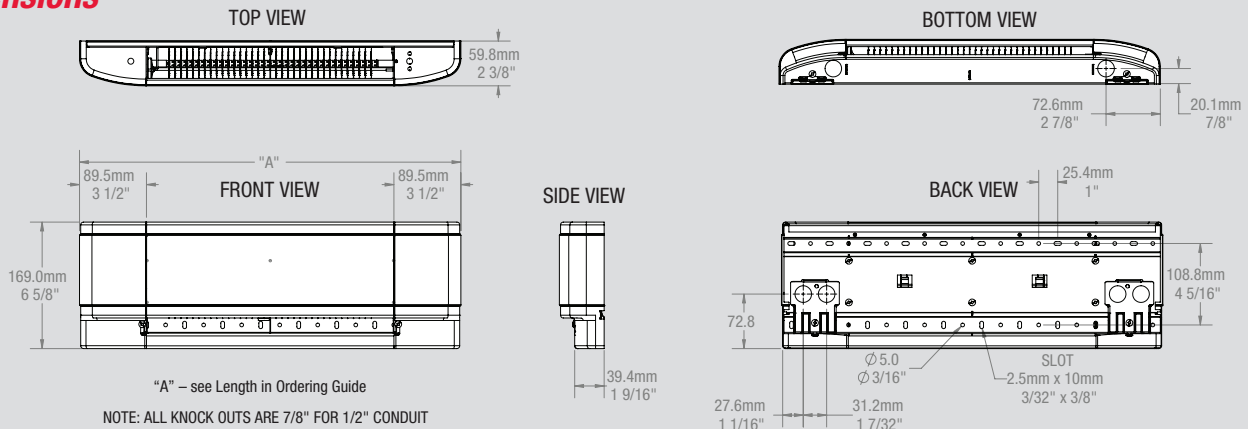


Top mounted thermostat can be installed on either side of LCM (optional)

## Specifications

<b>Voltage</b>	120V, 208V, 240V/208V, 347V, 50/60 Hz, 1-phase
<b>Wattage</b>	Sizes ranging from 500W to 2500W
<b>Color</b>	White or Almond
<b>Finish</b>	Epoxy/polyester powder paint.
<b>Construction</b>	20-gauge steel construction. Front fresh air inlet; top warm air outlet. Linear high-limit temperature control with automatic reset.
<b>Heating Element</b>	Nickel chromium element that is totally enclosed within a stainless steel sheath, providing superior life expectancy and resistance to rust. Shark-fin shaped aluminum fins are firmly staked in an upright position to provide directional wicking for the top discharge heat transfer.
<b>Watt Density</b>	Average standard watt density of 300W/ft (984W/m)
<b>Control</b>	Built-in thermostat available with a control knob or tamperproof adjustable with a screwdriver. Mechanical or triac relays available.
<b>Installation</b>	Easily removed front caps, knock-outs on both sides of the convactor, pre-stamped mounting holes and separate front panel make installation quick and easy. Large rear-entry junction boxes on both sides to simplify connections.
<b>Warranty</b>	10-year element warranty. 1-year warranty on complete unit. CSA certified for use in Canada and the U.S.

## Dimensions



## LCM Series

### Ordering Guide

Cat. No.	Watts	Volts	BTU	Length (mm/in.)	Weight (kg/lbs.)	Cat. No.	Watts	Volts	BTU	Length (mm/in.)	Weight (kg/lbs.)
LCM2505W11	500	120	1706	635/25	2/4.4	LCM5012W31	1250/938	240/208	4265/3199	1270/50	3.7/8.2
LCM2505W21	500	208	1706	635/25	2/4.4	LCM5012W51	1250	347	4265	1270/50	3.7/8.2
LCM2505W31	500/375	240/208	1706/1280	635/25	2/4.4	LCM6015W11	1500	120	5118	1524/60	4.4/9.7
LCM2505W51	500	347	1706	635/25	2/4.4	LCM6015W21	1500	208	5118	1524/60	4.4/9.7
LCM3007W11	750	120	2559	762/30	2.3/5	LCM6015W31	1500/1125	240/208	5118/3839	1524/60	4.4/9.7
LCM3007W21	750	208	2559	762/30	2.3/5	LCM6015W51	1500	347	5118	1524/60	4.4/9.7
LCM3007W31	750/563	240/208	2559/1919	762/30	2.3/5	LCM7520W21	2000	208	6824	1905/75	5.4/11.9
LCM3007W51	750	347	2559	762/30	2.3/5	LCM7520W31	2000/1500	240/208	6824/5120	1905/75	5.4/11.9
LCM4010W11	1000	120	3412	1016/40	3.2/7.5	LCM7520W51	2000	347	6824	1905/75	5.4/11.9
LCM4010W21	1000	208	3412	1016/40	3.2/7.5	LCM9025W21	2500	208	8530	2286/90	6.4/14.1
LCM4010W31	1000/750	240/208	3412/2559	1016/40	3.2/7.5	LCM9025W31	2500/1875	240/208	8530/6398	2286/90	6.4/14.1
LCM4010W51	1000	347	3412	1016/40	3.2/7.5	LCM9025W51	2500	347	8530	2286/90	6.4/14.1
LCM5012W11	1250	120	4265	1270/50	3.7/8.2						
LCM5012W21	1250	208	4265	1270/50	3.7/8.2						

Note: 1) Standard color is White.  
2) To order Almond omit "W" in Cat. No.

### Control Options (field installed)

#### Thermostat Kits

Cat. No.	Description	Rating
DTK-SP	Single pole built-in thermostat kit (adjustable)	120-240V, 17A, 347V, 14A
DTK-DP	Double pole built-in thermostat (adjustable)	120-240V, 17A, 347V, 11A
DTKT-SP	Single pole built-in tamperproof thermostat kit	120-240V, 17A, 347V, 11A
DTKT-DP	Double pole built-in tamperproof thermostat kit	120-240V, 25A, 347V, 11A
HTC521W	Electronic Line Voltage Thermostat	15A, 3600W @ 240V, 1800W @ 120V
HTC525W	Electronic Line Voltage Thermostat	16.7A, 4000W @ 240V, 2000W @ 120V
HTC621W	Programmable Electronic Line Voltage Thermostat	15A, 3600W @ 240V, 1800W @ 120V
HTC625W	Programmable Electronic Line Voltage Thermostat	16.7A, 4000W @ 240V, 2000W @ 120V
HTC627-347W	Programmable Electronic Line Voltage Thermostat	20.8A, 5000W @ 347V

Note: Each adjustable kit contains white and almond control knobs and hardware

#### Relays - Mechanical

Cat. No.	Description	Rating
BLLVC11	Low voltage relay & transformer kit	120V, 22A
BLLVC21	Low voltage relay & transformer kit	208V, 22A
BLLVC31	Low voltage relay & transformer kit	240V, 22A
BLLVC51	Low voltage relay & transformer kit	347V, 17A
BLLVD	Low voltage relay less transformer kit	120/208/240V, 22A, 347V, 17A

#### Relays - TRIAC

Cat. No.	Description	Rating
CCT-06-1-S	Without transformer	600V, 6A
CCT-15-1-S	Without transformer	347V, 15A
CCT-15-1-S-T	Comes with transformer	347V, 15A
CCT-15-1-S-T240	Comes with transformer	208/240V, 15A