

One Gang Weatherproof Covers – Die Cast Metal

Horizontal GFCI Kit Includes:

Rectangular 3-hole box, self closing GFCI cover, GFCI receptacle, hardware & instructions

BWF#	Unit UPC 0-87115	Description Outlets	Color	Case Qty.	Case Weight
Clamshell Kit					
GFBK-C-1	41201-0	Horiz GFCI Kit	Grey	10	18
GFBKAB-C-1	41202-7	Horiz GFCI Kit	Bronze	10	18
GFBKW-C-1	41203-4	Horiz GFCI Kit	White	10	18
GFBKB-C-1	41204-1	Horiz GFCI Kit	Black	10	18
Display Box Kit					
GFBK	41200-3	Horiz GFCI Kit	Grey	10	17
GFBKAB	41205-8	Horiz GFCI Kit	Bronze	10	17
GFBKW	50220-9	Horiz GFCI Kit	White	10	17
GFBKB	50221-6	Horiz GFCI Kit	Black	10	17



GFBK-C

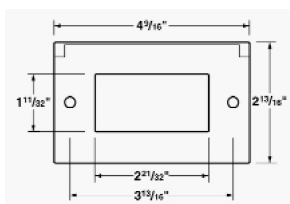
One Gang Cover for Vertical GFCI Devices

Self closing cover, gasket & screws included

BWF#	Unit UPC 0-87115	Description Outlets	Color	Case Qty.	Case Weight
Show Pak					
FGV-1DCV	25012-4	Vertical GFCI	Grey	24	12
FGV-1DCAV	25510-5	Vertical GFCI	Bronze	24	12
FGV-1DCWV	25710-9	Vertical GFCI	White	24	12
Blister Carded					
511V-1	05115-8	Vertical GFCI	Grey	6	3
511VAB-1	25513-6	Vertical GFCI	Bronze	6	3
511VW-1	50070-0	Vertical GFCI	White	6	3



FGV-1DCV



GFCI: Ground Fault Circuit Interrupter or “Shock Protection” outlet stops the flow of electricity at the outlet. Required by the National Electrical Code (NEC) for wet or damp locations, inside or out.

One Gang Vertical Cover for Duplex Receptacles, Switches or Combination Devices

Self closing cover, gasket & screws included

BWF#	Unit UPC 0-87115	Description Outlets	Color	Case Qty.	Case Weight
Show Pak					
FCL-62V	22095-0 (Locking)	Vertical	Grey	24	8
FC-61AV	52884-1	Vertical	Bronze	24	8
FC-61WV	52883-4	Vertical	White	24	8
Blister Carded					
4161-1	22096-7	Vertical	Grey	24	8



FCL-62V

One Gang Weatherproof Covers – Die Cast Metal



FC-71V

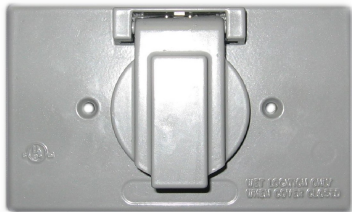


FCL-71V

One Gang Vertical Cover for a Single Receptacle or Switch

Self closing cover, gasket & screws included

BWF#	Unit UPC 0-87115	Description Outlets	Color	Case Qty.	Case Weight
Show Pak					
FC-71V	23007-2	Vertical	Grey	24	8
FC-71AV	27240-9	Vertical	Bronze	24	8
FC-71WV	27241-6	Vertical	White	24	8
FCL-71V (Locking)	27255-3	Vertical	Grey	24	8
SO-71V	27246-1	Vert Stay Open	Grey	24	8
Blister Carded					
4171 -1	04171-5	Vertical	Grey	6	2
4171AB -1	23508-4	Vertical	Bronze	6	2
4171W 5-1	0040-3	Vertical	White	6	2

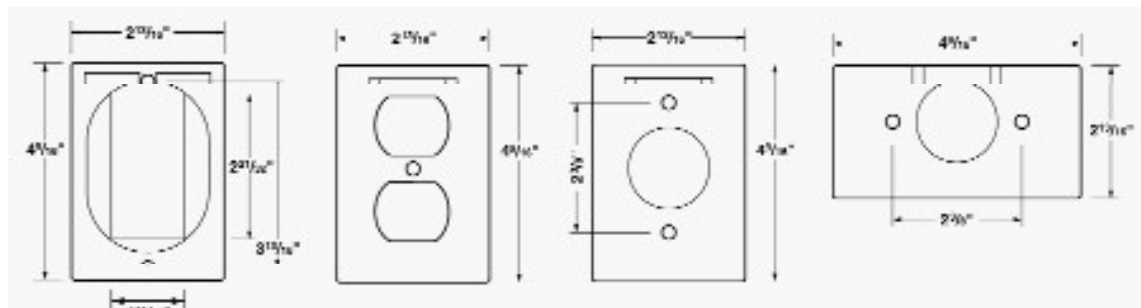


FC-71HV

One Gang Horizontal Cover for a Single Receptacle or Switch

Self closing cover, gasket & screws included

BWF#	Unit UPC 0-87115	Description Outlets	Color	Case Qty.	Case Weight
Show Pak					
FC-71HV	27242-3	Horizontal	Grey	24	8
FC-71HAV	27243-0	Horizontal	Bronze	24	8
FC-71HWV	27244-7	Horizontal	White	24	8



One Gang Weatherproof Covers – Die Cast Metal

One Gang Horizontal Cover for a Duplex Receptacle or Switch

Self closing cover, gasket & screws included

BWF#	Unit UPC 0-87115	Description Outlets	Color	Case Qty.	Case Weight
Show Pak					
FC-81V	23015-7	Horizontal	Grey	24	10
FC-81AV	23510-7	Horizontal	Bronze	24	10
FC-81WV	23710-1	Horizontal	White	24	10
SO-81V	27249-2	Horiz Stay Open	Grey	24	9
SO-81AV	27250-8	Horiz Stay Open	Bronze	24	9
SO-81WV	27251-5	Horiz Stay Open	White	24	9
Blister Carded					
4181-1	04181-4	Horizontal	Grey	12	5
4181AB-1	23521-3	Horizontal	Bronze	12	5
4181W-1	50045-8	Horizontal	White	12	5



FC-81V

One Gang Horizontal Cover for a Duplex Receptacle

Self closing cover, receptacle, gasket & screws included

BWF#	Unit UPC 0-87115	Description Outlets	Color	Case Qty.	Case Weight
Show Pak					
FC-81RV	23019-5	w/Receptacle	Grey	18	12
FC-81RAV	27245-4	w/Receptacle	Bronze	18	12
FC-81RWV	23018-8	w/Receptacle	White	18	12
Blister Carded					
4181R-1	41813-5	w/Receptacle	Grey	6	4
4181RAB-1	23526-8	w/Receptacle	Bronze	6	4
4181RW-1	50050-2	w/Receptacle	White	6	4



FC-81RV

Double Outlet Kit Includes:

Rectangular 3 hole box, self closing duplex cover, duplex receptacle, hardware & instructions

BWF#	Unit UPC 0-87115	Description Cover	Color	Case Qty.	Case Weight
Clamshell Kit					
B81RK-C-1	08137-7	Duplex Kit	Grey	10	14
B81RKAB-C-1	08138-4	Duplex Kit	Bronze	10	14
B81RKW-C-1	08139-1	Duplex Kit	White	10	14
B81RKB-C-1	08140-7	Duplex Kit	Black	10	14
Display Box Kit					
B81RK	08130-8	Duplex Kit	Grey	10	14
B81RKAB	08136-0	Duplex Kit	Bronze	10	14
B81RKW	50210-0	Duplex Kit	White	10	14
B81RKB	08135-3	Duplex Kit	Black	10	14



B81RK-C

One Gang Weatherproof Covers – Die Cast Metal

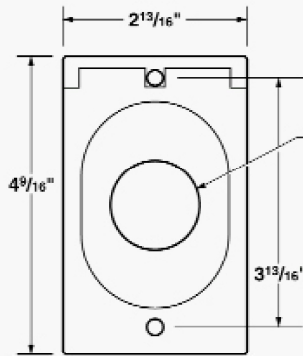


PO-50V

One Gang Power Outlet Cover for Single Receptacle; 20A, 30A, 50A

Self closing cover, gasket & screws included

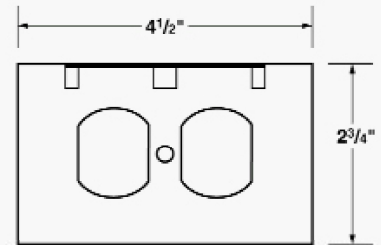
BWF#	Unit UPC 0-87115	Amps	Opening	Description	Color	Case Qty.	Case Weight
Show Pak							
PO-50V	26006-2	20A-50A	2.125"		Grey	24	15
PO-17V	27269-0	30A	1.750"		Grey	24	15
PO-16V	27272-0	20A & 30A	1.625"		Grey	24	15
PO-14V	27275-1	STD	1.438"		Grey	24	15



Power Outlet Covers

PO-50V=2.125"D
PO-17V=1.750"D
PO-16V=1.625"D
PO-14V=1.485"D

**Dimensional cover drawing for:
FC-81V, S0-81V, 4181, FC-81RV,
4181R, BB1RK-C, BB1RK**



TS-1V

One Gang Weatherproof Toggle Switch Covers – Die Cast Metal

One Gang Toggle Switch Cover for One 10A or 20A Switch

Gasket & screws included

BWF#	Unit UPC 0-87115	Switch	Description	Color	Case Qty.	Case Weight
Show Pak						
TS-1V	27281-2	N/A		Grey	20	5