

## SPECIFICATION SHEET

**EW SERIES**   
**MULTIPURPOSE CONTROL**  
**1 OR 2 CHANNELS**  
**7 DAY TIME SWITCH**

### APPLICATIONS

- Outdoor signs
- Lighting security
- Heating and air conditioning

### FEATURES

#### SCHEDULING:

20 ON & OFF set points for individual programs for each day of the week. Minimum setting is 1 minute.

#### DAYLIGHT SAVING:

Automatic (can be omitted).

#### LEAP YEAR:

Automatic Compensation.

#### MANUAL OVERRIDE:

Until the next regularly scheduled ON or OFF, automatic operation then resumes.

#### CLOCK FORMAT:

AM/PM.

#### POWER OUTAGE BACKUP:

Permanent schedule retention. Supercapacitor provides 4 days of real time backup.

#### MOMENTARY OPTION:

For mechanically held contractors: Model EW201B only. Configure with simple jumper change for single-channel momentary operation.

### SPECIFICATIONS

#### TIMING ACCURACY:

Line Frequency.

#### INPUT VOLTAGE:

120 - 277VAC, 50/60Hz (automatic detection).

#### TERMINAL RANGE:

#8 - #16AWG.

#### OPERATING TEMPERATURE:

-40 °F to 149 °F (-40 °C to 65 °C).

#### POWER CONSUMPTION:

6VA Max.

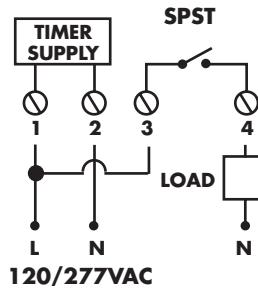
#### ENCLOSURE:

Polycarbonate Indoor/Outdoor NEMA 3R. Suffix -C plastic clear cover Indoor/Outdoor NEMA 3R. Suffix -Y metal Indoor enclosure NEMA 1. All with lockable hasp (see page 557 for enclosure dimensions).

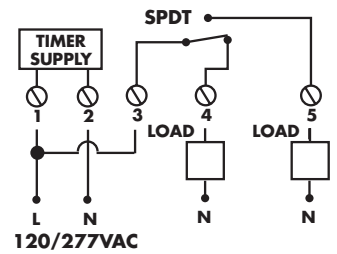


### WIRING DIAGRAMS

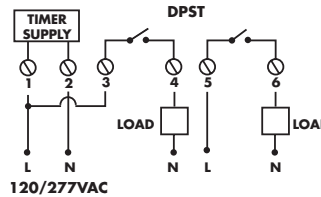
EW101B



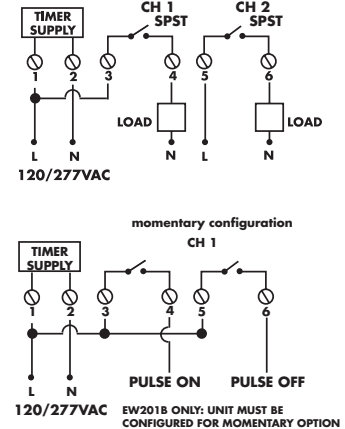
EW120B



EW103B



EW201B



### ORDERING INFO

CAT. NO.	UPC CODE	INPUT SUPPLY (VAC) 50/60Hz	NO. OF CHANNELS	OUTPUT DRY CONTACTS
EW101B	82431	120-277	1	SPST
EW103B	82441	120-277	1	DPST
EW120B	82436	120-277	1	SPDT
EW201B	82467	120-277	2	SPST
EW101B-Y	82249	120-277	1	SPST
EW103B-C	82253	120-277	1	DPST
EW103B-Y	82255	120-277	1	DPST
EW120B-C	82437	120-277	1	SPDT
EW120B-Y	82261	120-277	1	SPDT
EW201B-Y	82299	120-277	2	SPST

### CONTACT RATINGS

TYPE	EW101B, EW103B, EW201B		EW120B	
	VOLTAGE (VAC)	RATING NO	VOLTAGE (VAC)	RATING NO NC
General Purpose	120-277	40A	120-277	30A 30A
Inductive	120-277	40A	120-277	30A 30A
Ballast	120	30A	120	30A 10A
	208-277	20A	208-277	20A 10A
Tungsten	120	15A	120	15A 2A
Pilot Duty	120-277	720VA	120-277	720VA 720VA
	120	1HP	120	1HP 1HP
Motor	208	1 1/2HP	208	1 1/2HP 1 1/2HP
	240-277	2HP	240-277	2HP 2HP
Resistive	28VDC	30A	28VDC	30A 30A

30A