

SPECIFICATION SHEET

SS403 cULus DIGITAL AUTO OFF IN-WALL TIMER

APPLICATIONS

- Offices, meeting rooms.
- Energy code timed override.
- Exhaust fans, for retrofit.
- Equipment room and storage spaces.

FEATURES

ENERGY CODE PRESET:

2 hour timing for Title 24 and IECC (default). 4 hour timing for ASHRAE 90.1 (with quick dip switch adjustment)

PROGRAMMABLE:

- 5 minutes to 24 hour:
- 5 minute steps from 5 minutes to 1 hour.
- 0 minute steps from 1 to 4 hours.
- 30 minute steps from 4 to 12 hours.
- 1 hour steps from 12 to 24 hours.

SCROLL LOCK:

Limits user adjustment to a maximum equal to the preset time.

FLASH WARNING:

Optional one second flicker turns load off/on 2 minutes before end of time cycle.

BEEPER WARNING:

Optional beep will sound every 15 seconds during the last 2 minutes of the time cycle.

TAMPER RESISTANT:

Wall plate locks access to dip switch adjustments.

THREE-WAY & MULTI-WAY:

Three-way compatible with existing switch. Multi-way requires momentary switches at the additional locations. Maximum distance 100 feet.

DISPLAY:

Backlit LCD Display.

COLOR:

White (single gang decorator wall plate included).

WIRING:

> No neutral required.

SPECIFICATIONS

TIMING ACCURACY:

Line Frequency

INPUT VOLTAGE:

120/230/277VAC 50/60 Hz

WIRE SIZE:

#14AWG input/output

OPERATING TEMPERATURE:

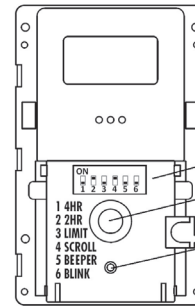
32 °F to 104 °F (0 °C to 40 °C)

WARRANTY:

5 Yrs.

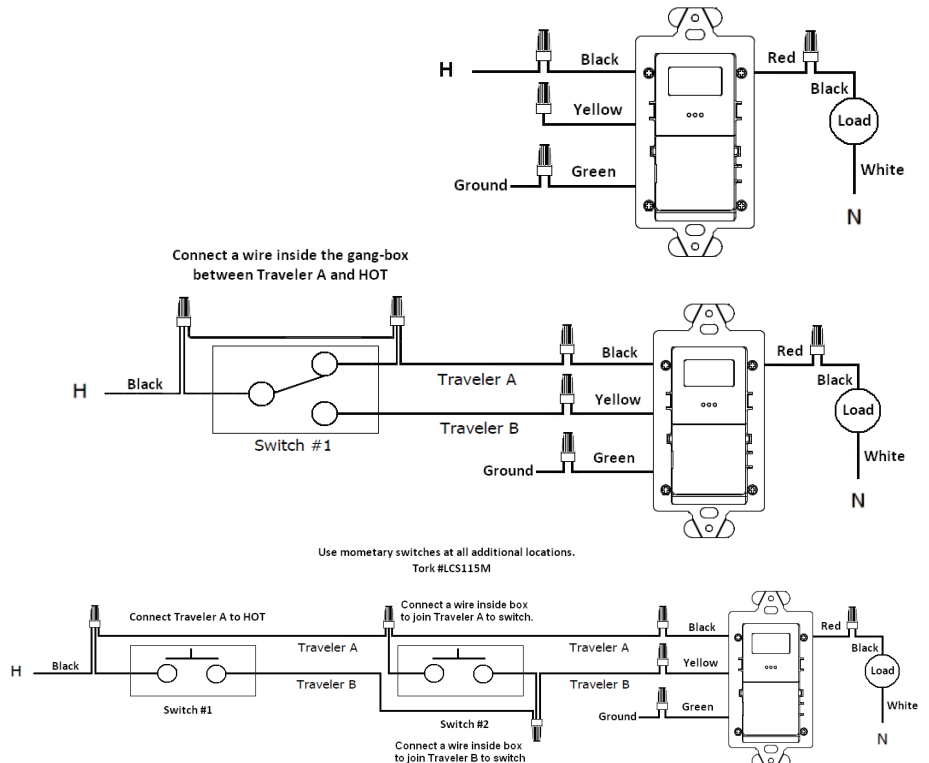


DIP SWITCH SETTINGS



- ON - SWITCH UP
- OFF - SWITCH DOWN
- TIMER BUTTON
- RESET BUTTON

WIRING DIAGRAM



ORDERING INFO

CAT. NO.	UPC CODE	TIMER SUPPLY (VAC) 60Hz	SWITCH TYPE	COLOR
SS403	14029	120/230/277	SPST	White

CONTACT RATINGS

SS403		
TYPE	VOLTAGE	RATING
Resistive	120-277VAC	15A
Ballast	120-277VAC	10A
LED Lamp Driver	120-277VAC	1200W
Tungsten	120VAC	8A
Pilot Duty	120VAC	360VA
Motor	120VAC	1/4HP