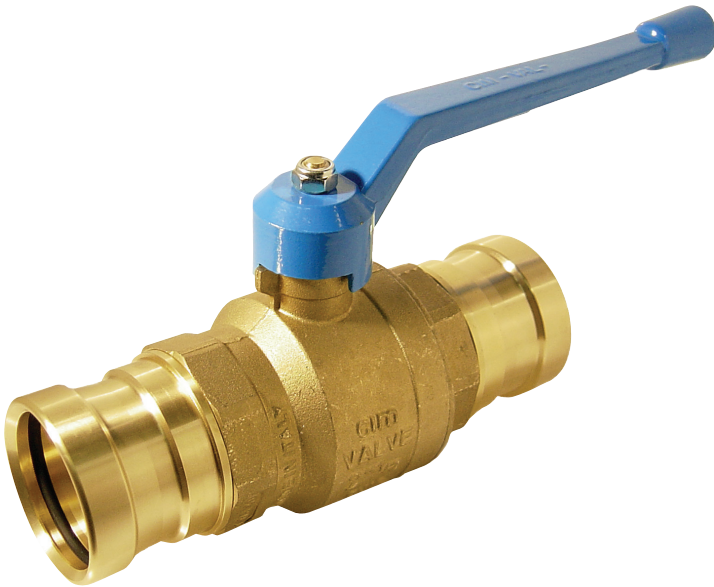


NO-LEAD

cimPRESS™ 1220NLC Full Port Ball Valve

CimPRESS x CimPRESS • XL-C Jaws and Rings



Applications:

The Cimberio 1220NLC Full Port Ball Valve is designed for direct connection to hard drawn copper or stainless steel tube using standard press tools with XL-C jaws and rings. CimPRESS valves were developed to eliminate the need to assemble separate components in the field on non-aggressive fluid applications including: residential, industrial, and agricultural systems. 1220NLC valves are manufactured from DZR "CR" corrosion-resistant brass with EPMD-ASTM D 2000 M2 O-Rings to ensure a leak-proof, cold-crimped seal with added protection against corrosion. CimPRESS is NOT intended for use with soft or rolled copper tubing.

Connection:

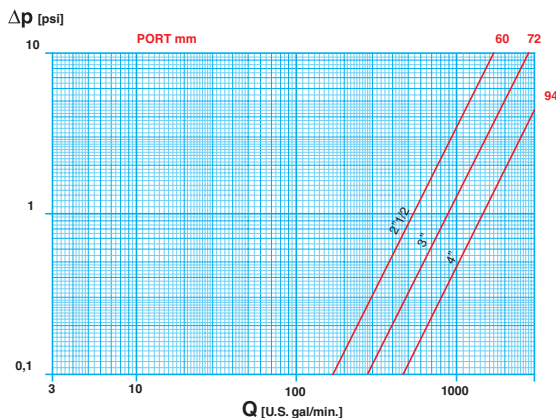
Standard press connection for copper and stainless steel tube plumbing systems. *For use with XL-C press jaws and rings only.*

Features:

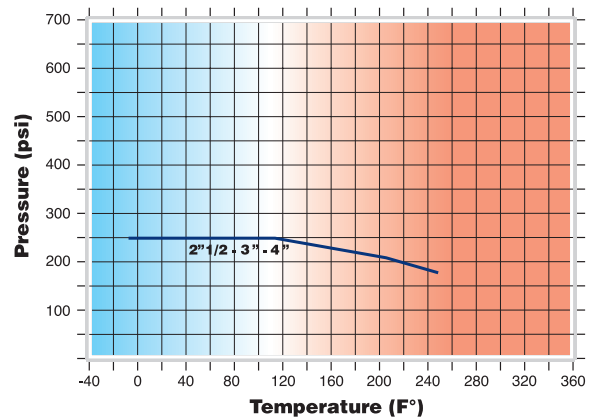
- Installs quickly and easily
- Manufactured from DZR "CR" brass
- EPMD-ASTM D 2000 M2 O-Rings

Size	Cim No.
2-1/2"	1220NLC-11
3"	1220NLC-12
4"	1220NLC-14

FLOW AND PRESSURE DROP



PRESSURE/TEMPERATURE RATINGS



Based on NSF/ANSI 61-2008 Annex G in compliance with Section 116875 of the California Health & Safety Code.

All Cimberio valves qualify for the American Recovery and Reinvestment Act and the Buy American Act.

Phone: 877.228.9246 • Fax: 877.232.9246 • www.cimberiovalve.com

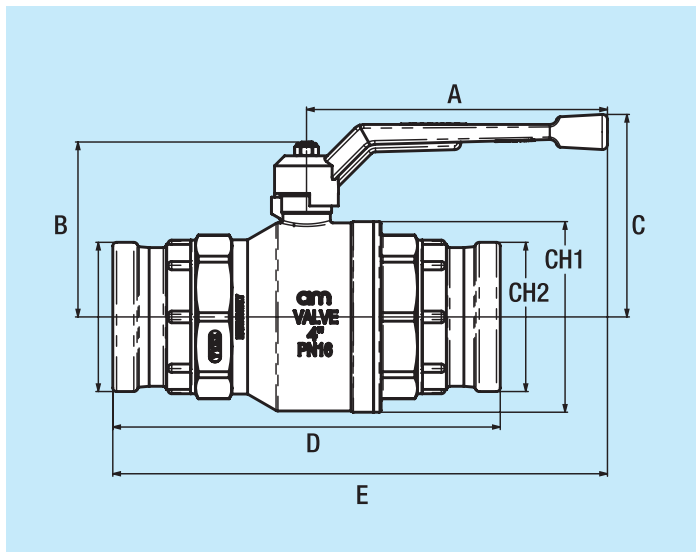
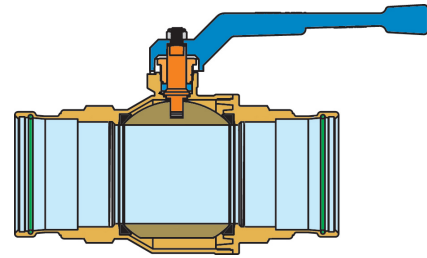
cimPRESS™ NLC Full Port Ball Valve

cim1220NLC

CimPRESS x CimPRESS • XL-C Jaws and Rings

Materials:

- **Body:** Hot Forged Brass ASTM C37700
- **Ball:** Brass, Machined to a Micro-Smooth Finish, Hard Chromium Plated
- **Ball Seats:** Conical Rings in P.T.F.E.
- **Stem Seal:** Rings in P.T.F.E.
- **O-Ring:** EPDM - ASTM D 2000 M2
- **Handle:** Aluminum
- **Nut:** Self-Locking Type, Steel ANSI C.1008.



Size	2-1/2"	3"	4"
Port inch	2.52"	2.99"	3.94"
Port mm	64mm	76mm	100mm
A	9-7/16" 240mm	9-7/16" 240mm	9-7/16" 240mm
B	4-9/16" 115.5mm	4-7/8" 124.5mm	5-1/2" 139.5mm
C	5-7/16" 137.5mm	5-3/4" 146.5mm	6-3/8" 161.5mm
D	10-3/16" 259mm	10-7/8" 276mm	12-3/16" 309mm
E	14-9/16" 369.5mm	14-7/8" 378mm	15-1/2" 394.5mm
CH1	4-1/16" 103mm	4-3/4" 121mm	6" 152mm
CH2	3-3/16" 80.5mm	3-11/16" 93.5mm	4-11/16" 119mm
Pounds	10.12	13.36	16.812
Grams	4590	6058	7642
Required Pipe Insertion Depth	2.1685" 55.08mm	2.1525" 54.67mm	2.3565" 59.85mm

CV CM CS MT

CV: Capacity in "U.S. gal/min" at pressure drop of "1 PSI"

CM: Working Torque in "lb x in"

CS: Starting Torque in "lb x in"

MT: Torque Breaking Point on the Stem in "lb x in"

Element: Water – Temperature: 59.9° F

Working Pressure: 250 PSI

Max. Operating Temp: Working Limit for Fluids: -4° F – 248° F

Test Pressures: According to ISO 5208

SIZE	2-1/2"	3"	4"
Ø mm	64	76	100
Ø inch	2.52	2.99	3.94
CV gal/min	532.4	865.4	1417.1
CM N x m lb x in	15 133	19 168	29 257
CS N x m lb x in	30 266	38 337	58 514
MT N x m lb x in	280 2480	280 2480	550 4872

Job Name: _____
 Job #: _____
 Contractor: _____
 Engineer: _____

Tag: _____
 Date: _____
 Contractor #: _____
 Specification #: _____