

Leviton Load Center Thermal Magnetic Branch Circuit Breakers



APPLICATION

The most advanced circuit breakers on the market are also the fastest to install. Only Leviton circuit breakers feature an all plug on design, so you can wire the entire panel at rough-in, without a single circuit breaker present. Intuitive diagnostics such as LEDs on electronic circuit breakers indicate fault type and color indicators in each rocker handle display operational status at-a-glance.

FEATURES AND BENEFITS

- **Simple:** Features an all plug-on installation - no wiring to circuit breakers less than 60A
- **Intuitive:** Line-side powered LEDs stay lit, even after a circuit breaker has tripped, and identify cause of trip: Arc Fault (series or parallel), or Ground Fault. Color indicators in each rocker handle designate operational status at-a-glance (ON/OFF/Tripped)
- **Approachable:** Contemporary aesthetic and rocker style handle are more user friendly

PRODUCT SPECIFICATIONS

PRODUCT FEATURES

Dimensions: Single Pole 3.9" H x 1.0" W x 3.1" D
 Double Pole 3.9" H x 2.0" W x 3.1" D
 Warranty: 10-Year Limited, 2-Years for electronic components
 Weight: Single Pole 0.42 lbs.
 Double Pole 0.85 lbs.
 Wiring: All Plug-on

Electrical Specifications

Amperage: Refer to catalog number tables
 Breaker Technology: Thermal Magnetic
 Short Circuit Current Rating: 10 K, Series Rated 22KA with Leviton Main Breaker; see Series Ratings Tables for additional Ratings
 Type: Available in Standard, AFCI, GFCI, AFCI/GFCI, GFPE

Standards & Certifications

CSA-C22.2 No. 5-02
 EMC Compatible
 FCC
 RoHS
 UL 489, HACR rated
 UL 943 (GFCI), where applicable
 UL 1699 (AFCI), where applicable

ORDERING INFORMATION

Standard



Amp Rating	1-Pole	2-Pole
15	LB115-T	LB215-T
20	LB120-T	LB220-T
25	LB125-T	LB225-T
30	LB130-T	LB230-T
35	-	LB235-T
40	-	LB240-T
45	-	LB245-T
50	-	LB250-T
60	-	LB260-T

AFCI



Amp Rating	1-Pole
15	LB115-AFT
20	LB120-AFT

AFCI/GFCI - Dual Function



Amp Rating	1-Pole
15	LB115-DFT
20	LB120-DFT

GFCI - 5 mA Ground-Fault Protection of Personnel



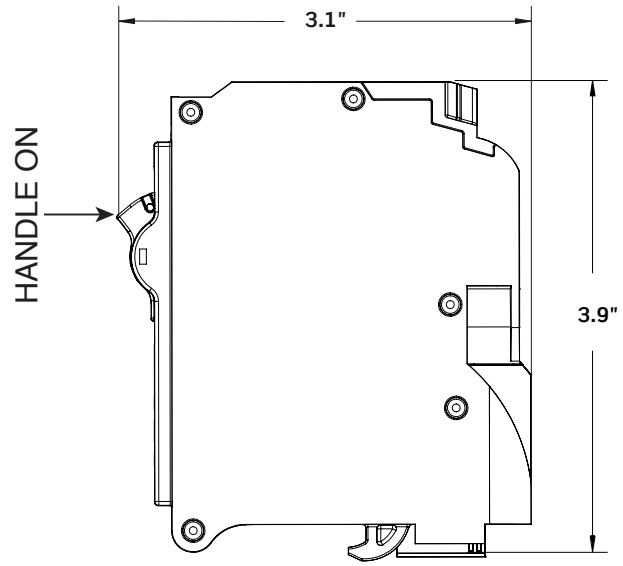
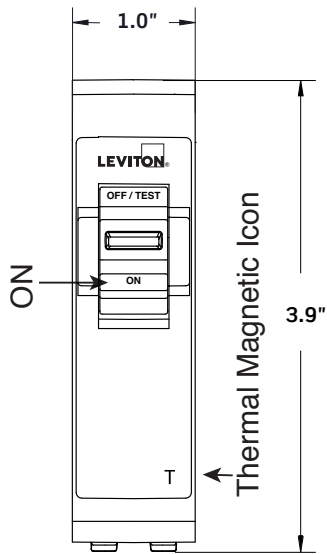
Amp Rating	1-Pole
15	LB115-GFT
20	LB120-GFT
25	LB125-GFT
30	LB130-GFT

GFPE - 30 mA Ground-Fault Protection of Equipment

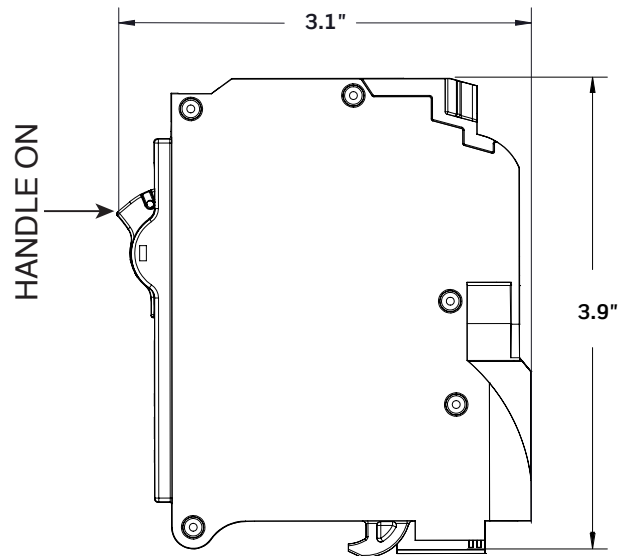
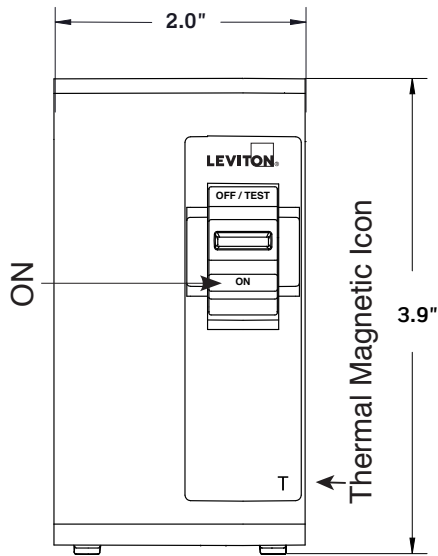


Amp Rating	1-Pole
15	LB115-EPT
20	LB120-EPT
25	LB125-EPT
30	LB130-EPT

DIMENSIONAL DRAWINGS



Single Pole



Double Pole

HANDLE OPERATION AND LED DIAGNOSTICS

Handle Window	"AF" LED	"GF" LED	Device Status
GREEN	OFF	OFF	ON
RED	OFF	OFF	Overload or short-circuit trip
RED	ON (solid)	OFF	Series arc-fault trip
RED	OFF	ON (solid)	Ground-fault trip or Parallel arc-fault to Ground
RED	ON (blinking)	OFF	0.5 sec. delay -Parallel arc-fault trip
RED	OFF	ON (blinking)	3 sec. delay - Neutral Miswired
RED	ON (blinking)	ON (blinking)	0.1 sec. delay -Electronics self-test failure (breaker will be locked out and must be replaced)
WHITE	OFF	OFF	Manual OFF



Leviton Manufacturing Co., Inc.

201 North Service Road, Melville, NY 11747-3138
Telephone: 1-800-323-8920 • FAX: 1-800-832-9538
Tech Line: 1-800-824-3005
Mon-Fri 8am-10pm EST, Saturday 9am-7pm EST

Visit our Website at: www.leviton.com

© 2020 Leviton Manufacturing Co., Inc. All rights reserved.

TS-032020D-tp