

# Maestro® C•L® Dimmer

Dimmer for CFL and LED dimmable bulbs.

## Features

- Large tapswitch with a rocker-style dimmer for a standard designer wallplate opening
- Advanced dimming technology designed for compatibility with a broader range of high efficacy bulbs
- UL Listed to control:
  - Dimmable Compact Fluorescent Lamps (CFL) with integrated ballast
  - Dimmable LED with integrated driver
  - Halogen
  - Incandescent
- Low-end adjustment to accommodate a wide range of bulbs
- No neutral required for retrofit applications
- Tapswitch returns load to previous level
- Can be used in single-pole, multi-location (using MA-R), or 3-way mechanical switch<sup>1</sup> applications
- Coordinating Claro® and Stainless Steel wallplates available separately
- 100% factory tested



Wallplate sold separately

## Colors and Finishes

### Gloss Finishes

WH	White	IV	Ivory
AL	Almond	LA	Light Almond
GR	Gray	BR	Brown
BL	Black		

### Satin Colors®

HT	Hot	MR	Merlot
PL	Plum	TQ	Turquoise
SG	Sea Glass	TP	Taupe
ES	Eggshell	BI	Biscuit
SW	Snow	PD	Palladium
MN	Midnight	TC	Terracotta
SI	Sienna	GB	Green Briar
BG	Bluestone	MS	Mocha Stone
GS	Goldstone	DS	Desert Stone
ST	Stone	LS	Limestone

## Product Specific Features

- Capable of controlling up to 150 W Dimmable CFL/LED or 600 W Incandescent/Halogen or Mixed bulb type per **Multigang and Mixed Bulb Type Ratings** table (see page 3)

## Model Number

**MACL-153M-XX<sup>2</sup>** Single pole/3-way<sup>1</sup>/Multi-location<sup>3</sup>

### Notes:

- <sup>1</sup> An additional wiring and programming step is required for 3-way mechanical switch applications. Not for use in 4-way mechanical switch applications
- <sup>2</sup> XX Color codes, see section “Colors and Finishes” at left
- <sup>3</sup> For 3-way and 4-way dimming, use Maestro® companion dimmers

<b>Job Name:</b> <input style="width: 90%; height: 20px;" type="text"/>	<b>Model Numbers:</b> <input style="width: 95%; height: 20px;" type="text"/>
<b>Job Number:</b> <input style="width: 150px; height: 20px;" type="text"/>	<input style="width: 95%; height: 20px;" type="text"/>

## Specifications

### Regulatory Approvals

- UL Listed to U.S. and Canadian safety requirements (UL 1472 / CSA C22.2 184.1)
- NOM

### Power and Ratings

- 120 V~ 60 Hz
- Maximum Load
  - 150 W Dimmable CFL/LED
  - or**
  - 600 W Incandescent/Halogen
  - or**
  - Mixed bulb type per **Multigang and Mixed Bulb Type Ratings** table (see page 3)
- Minimum Load
  - See approved lamp list for CFL/LED
  - or**
  - 10 W Incandescent/Halogen

### Environment

- For indoor use only
- Operating temperatures 32 °F (0 °C) to 104 °F (40 °C)

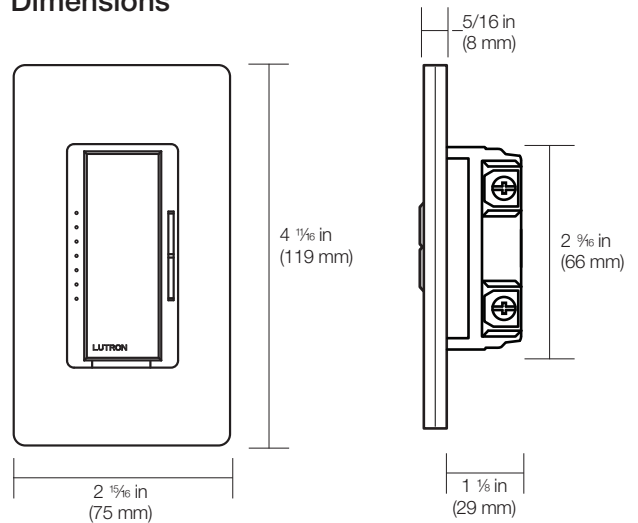
### Performance

- Power-failure memory
- Raise/Lower Rocker
- Electrostatic discharge tested
- Precise color matching
- Includes a Front Accessible Service Switch (FASS™) for safe bulb replacement

### Application Requirements

- **When using CFLs or LEDs, only bulbs marked or rated as Dimmable can be used.**
- For a complete list of approved DIMMABLE CFLs and LEDs please call 1.800.523.9466 or visit [www.lutron.com/dimcflled](http://www.lutron.com/dimcflled)

### Dimensions



**Note:** Requires a U.S. wallbox 2 1/4 in (57 mm) deep minimum.

### Warranty

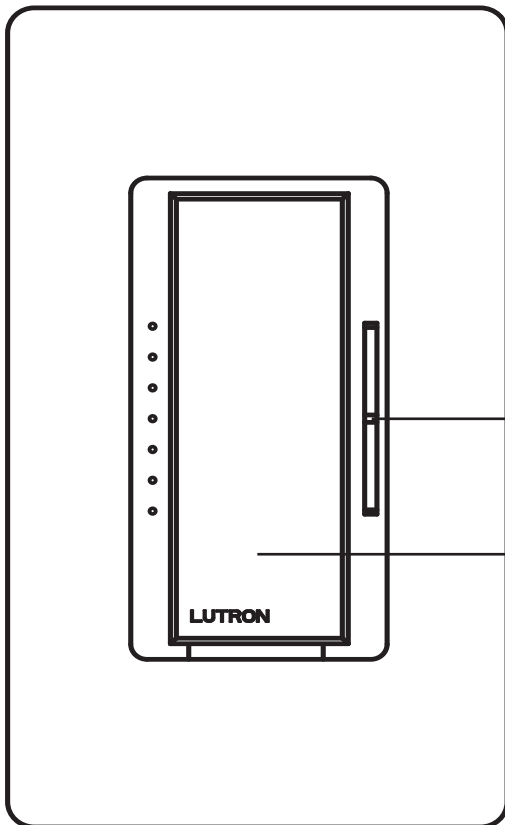
- 1 Year Limited Warranty  
For additional Warranty information, please visit [http://www.lutron.com/TechnicalDocumentLibrary/369-119\\_Wallbox\\_Warranty.pdf](http://www.lutron.com/TechnicalDocumentLibrary/369-119_Wallbox_Warranty.pdf)

Job Name: <input style="width: 90%; height: 20px;" type="text"/>	Model Numbers: <input style="width: 95%; height: 20px;" type="text"/>
Job Number: <input style="width: 80%; height: 20px;" type="text"/>	<input style="width: 95%; height: 20px;" type="text"/>

### Multigang and Mixed-Bulb-Type Ratings

Total CFL•LED Wattage Installed (Watts per bulb X # of bulbs)	CFL LED	Maximum Allowable Incandescent/Halogen Wattage		
		No sides removed	1 side removed	2 sides removed
0 W	+	600 W	500 W	400 W
1 W – 25 W	+	500 W	400 W	300 W
26 W – 50 W	+	400 W	300 W	200 W
51 W – 75 W	+	300 W	200 W	100 W
76 W – 100 W	+	200 W	100 W	50 W
101 W – 125 W	+	100 W	50 W	0 W
126 W – 150 W	+	0 W	0 W	0 W

### Operation



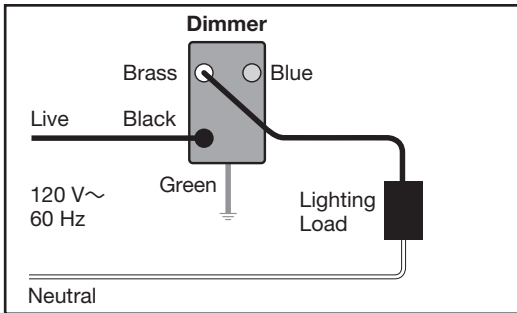
**Raise/Lower Rocker**  
- Press rocker to adjust light level

**Tapswitch**  
- Tap on to favorite level  
- Tap off  
- Tap twice for full on  
- Press, hold and release for gradual fade-to-off

Job Name: <input style="width: 90%;" type="text"/>	Model Numbers: <input style="width: 60%;" type="text"/> <input style="width: 40%;" type="text"/>	
Job Number: <input style="width: 150px;" type="text"/>	<input style="width: 300px;" type="text"/>	<input style="width: 300px;" type="text"/>

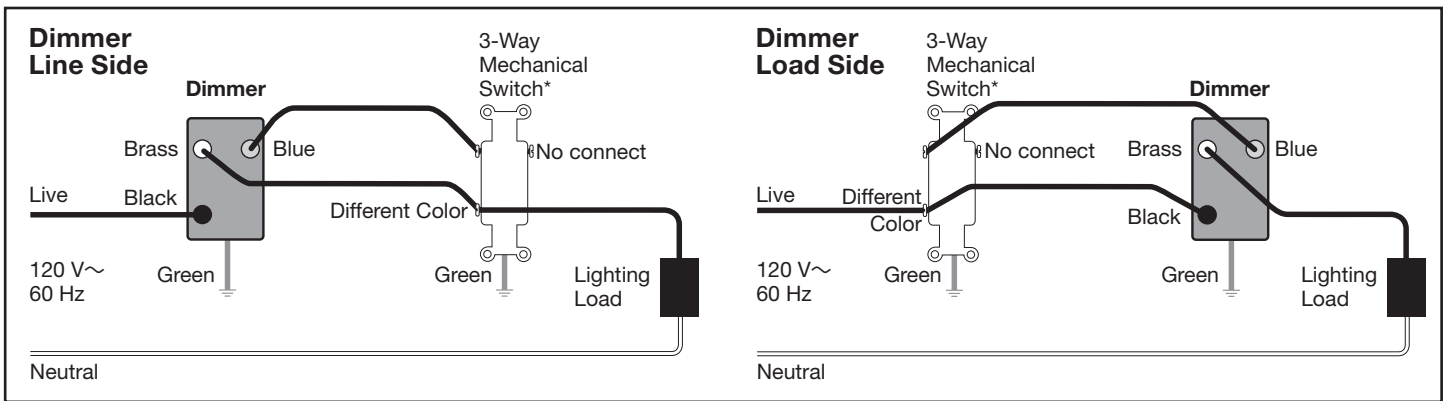
# Wiring Diagrams

## Single-Pole Wiring



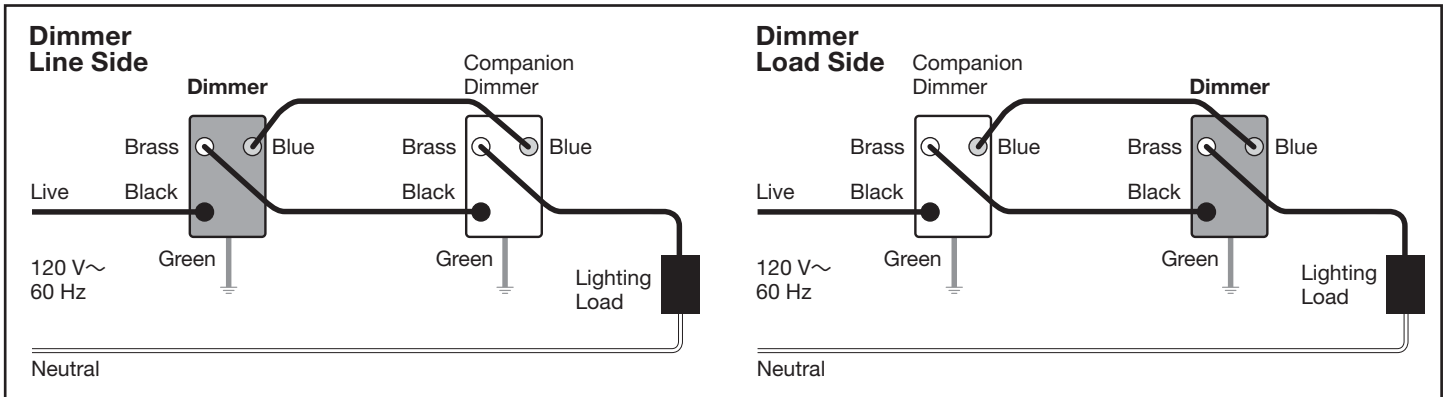
**Note:** Dimmer can be installed on the line side or load side of the circuit.

## 3-Way Wiring (Using 3-Way Mechanical Switch)



\*Note: Screw terminal positions on 3-way mechanical switches may vary.

## 3-Way Wiring (Using MA-R Companion Dimmer)

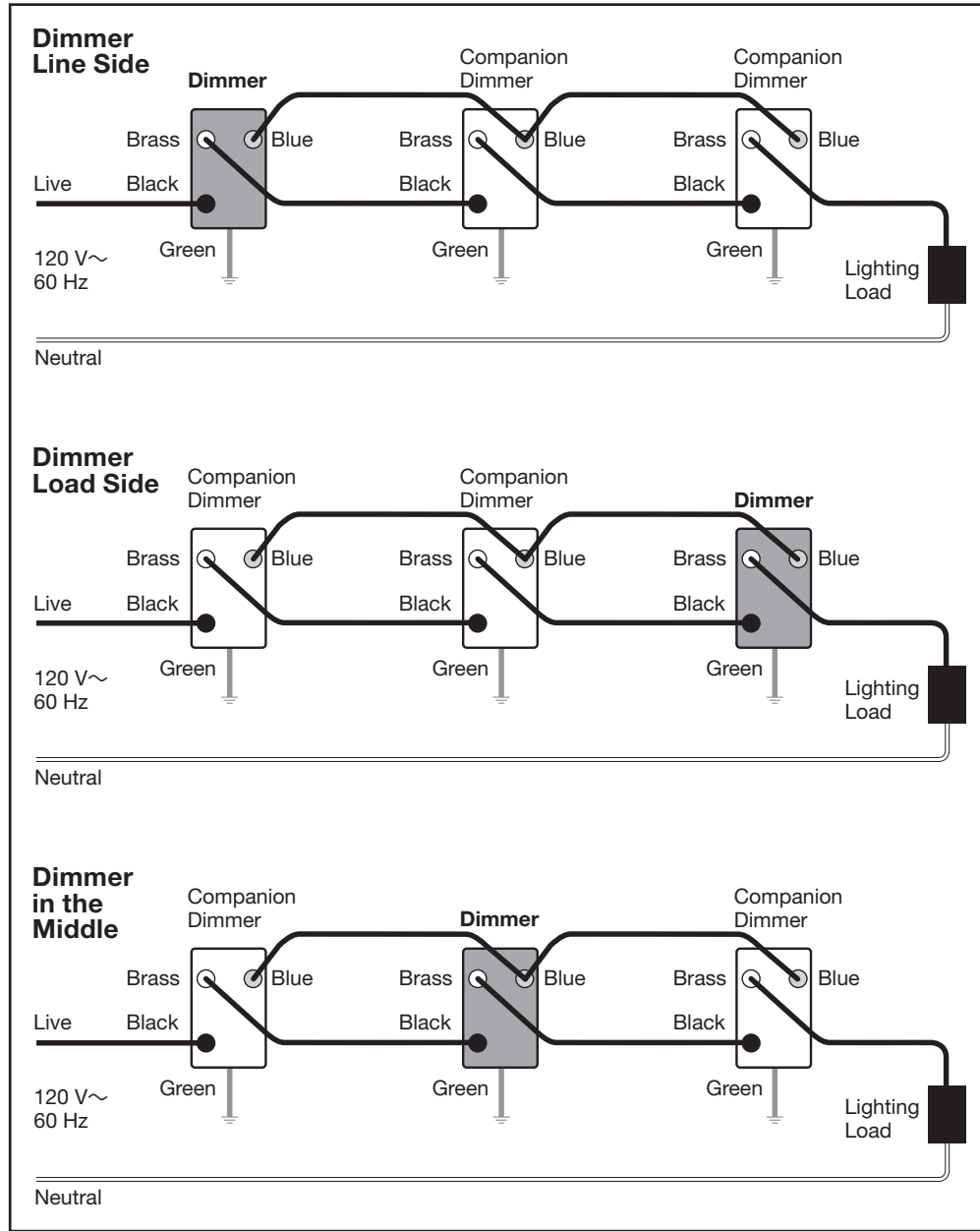


Continued on next page...

Job Name: <input type="text"/>	Model Numbers: <input type="text"/>	<input type="text"/>
Job Number: <input type="text"/>	<input type="text"/>	<input type="text"/>

### Wiring Diagrams (continued)

#### 4-Way Wiring (Using MA-R Companion Dimmer)



**Note:** Dimmer can be installed on the line side, load side, or in the middle of the circuit.

Job Name:	Model Numbers:	
<input type="text"/>	<input type="text"/>	<input type="text"/>
Job Number:	<input type="text"/>	<input type="text"/>