

Schedule 40 90° Elbow - Plain End

| Part Number | Trade Size | Carton Qty | "R" | "O" | "H" | "S" MIN | "L" |
|-------------|------------|------------|--------|--------|--------|---------|--------|
| 5133823 | 1/2 | 50 | 4.000 | 4.000 | 4.000 | 1.500 | 6.250 |
| 5133824 | 3/4 | 35 | 4.500 | 4.500 | 4.500 | 1.500 | 7.125 |
| 5133825 | 1 | 20 | 5.750 | 5.750 | 5.750 | 1.875 | 9.000 |
| 5133826 | 1-1/4 | 30 | 7.250 | 7.250 | 7.250 | 2.000 | 11.375 |
| 5133827 | 1-1/2 | 30 | 8.250 | 8.250 | 8.250 | 2.000 | 13.000 |
| 5133828 | 2 | 15 | 9.500 | 9.500 | 9.500 | 2.000 | 15.000 |
| 5133829 | 2-1/2 | 18 | 10.500 | 10.500 | 10.500 | 3.000 | 16.500 |
| 5133830 | 3 | 14 | 13.000 | 13.000 | 13.000 | 3.125 | 20.375 |
| 5133831 | 3-1/2 | 12 | 15.000 | 15.000 | 15.000 | 3.250 | 23.500 |
| 5133832 | 4 | 10 | 16.000 | 16.000 | 16.000 | 3.375 | 25.125 |
| 5133835 | 5 | 30* | 24.000 | 24.000 | 24.000 | 3.625 | 37.625 |
| 5133834 | 6 | 25* | 30.000 | 30.000 | 30.000 | 3.750 | 47.125 |

* Pallet Quantity

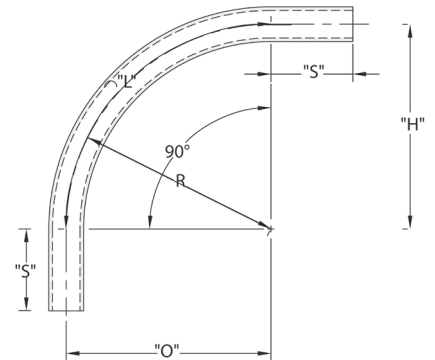
Conforms to UL651 and NEMA TC3
Material is Rigid PVC
Bend Tolerance is $\pm 2^\circ$

Dimensions are nominal

CANTEX 90-Degree Plain End Schedule 40 Standard Radius Elbows are used to change the direction of a conduit run by 90 degrees.



- Schedule 40 PVC construction for strength and durability
- For indoor or outdoor use
- Suitable for aboveground or buried
- Plain end connections are solvent weld
- ETL Listed
- Made in USA



Schedule 40 45° Elbow - Plain End

| Part Number | Trade Size | Carton Qty | "R" | "O" | "H" | "S" MIN | "L" |
|-------------|------------|------------|--------|-------|--------|---------|--------|
| 5133763 | 1/2 | 50 | 4.000 | 1.188 | 2.875 | 1.500 | 3.125 |
| 5133764 | 3/4 | 25 | 4.500 | 1.313 | 3.188 | 1.500 | 3.500 |
| 5133765 | 1 | 20 | 5.750 | 1.688 | 4.000 | 1.875 | 4.500 |
| 5133766 | 1-1/4 | 25 | 7.250 | 2.125 | 5.125 | 2.000 | 5.688 |
| 5133767 | 1-1/2 | 20 | 8.250 | 2.375 | 5.875 | 2.000 | 6.500 |
| 5133768 | 2 | 10 | 9.500 | 2.813 | 6.750 | 2.000 | 7.500 |
| 5133769 | 2-1/2 | 20 | 10.500 | 2.563 | 7.375 | 3.000 | 8.250 |
| 5133770 | 3 | 8 | 13.000 | 3.813 | 9.188 | 3.125 | 10.250 |
| 5133771 | 3-1/2 | 5 | 15.000 | 4.375 | 10.625 | 3.250 | 11.875 |
| 5133772 | 4 | 20 | 16.000 | 4.688 | 11.438 | 3.375 | 12.625 |
| 5133773 | 5 | 30* | 24.00 | 7.000 | 17.000 | 3.625 | 18.875 |
| 5133774 | 6 | 25* | 30.000 | 8.813 | 21.250 | 3.750 | 22.875 |

* Pallet Quantity

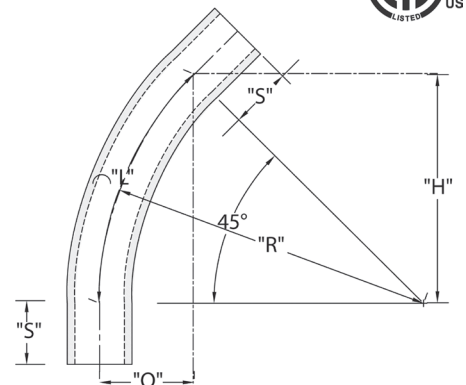
Conforms to UL651 and NEMA TC3
Material is Rigid PVC
Bend Tolerance is $\pm 2^\circ$

Dimensions are nominal

CANTEX 45-Degree Plain End Schedule 40 Standard Radius Elbows are used to change the direction of a conduit run by 45 degrees.



- Schedule 40 PVC construction for strength and durability
- For indoor or outdoor use
- Suitable for aboveground or buried
- Plain end connections are solvent weld
- ETL Listed
- Made in USA

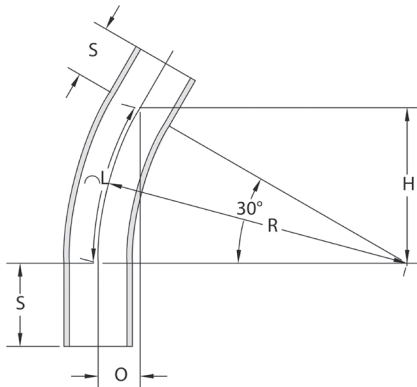


Schedule 40 30° Elbow - Plain End



CANTEX 30-Degree Plain End Schedule 40 Standard Radius Elbows are used to change the direction of a conduit run by 30 degrees.

- Schedule 40 PVC construction for strength and durability
- For indoor or outdoor use
- Suitable for aboveground or buried
- Plain end connections are solvent weld
- ETL Listed
- Made in USA



| Part Number | Trade Size | Carton Qty. | "R" | "O" | "H" | "S" MIN | "L" |
|-------------|------------|-------------|--------|-------|--------|---------|--------|
| 5133755 | 1/2 | 50 | 4.000 | .500 | 2.000 | 1.500 | 2.125 |
| 5133744 | 3/4 | 25 | 4.500 | .625 | 2.250 | 1.500 | 2.375 |
| 5133745 | 1 | 20 | 5.750 | .750 | 2.875 | 1.875 | 3.000 |
| 5133746 | 1-1/4 | 25 | 7.250 | 1.000 | 3.625 | 2.000 | 3.813 |
| 5133747 | 1-1/2 | 20 | 8.250 | 1.063 | 4.125 | 2.000 | 4.313 |
| 5133748 | 2 | 10 | 9.500 | 1.250 | 4.750 | 2.000 | 5.000 |
| 5133749 | 2-1/2 | 20 | 10.500 | 1.438 | 5.250 | 3.000 | 5.500 |
| 5133750 | 3 | 8 | 13.000 | 1.750 | 6.500 | 3.125 | 6.813 |
| 5133751 | 3-1/2 | 5 | 15.000 | 2.000 | 7.563 | 3.250 | 7.875 |
| 5133775 | 4 | 20 | 16.000 | 2.063 | 8.000 | 3.375 | 8.375 |
| 5133753 | 5 | 30* | 24.000 | 3.188 | 12.000 | 3.625 | 12.563 |
| 5133754 | 6 | 25* | 30.000 | 4.000 | 15.000 | 3.750 | 15.688 |

* Pallet Quantity

Dimensions are nominal

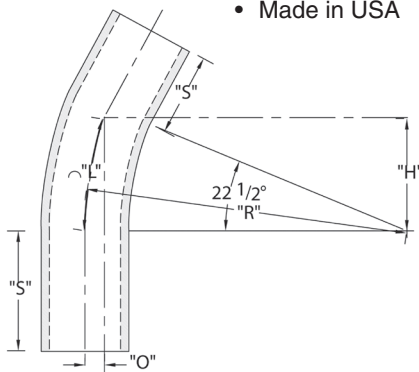
Conforms to UL651 and NEMA TC3
 Material is Rigid PVC
 Bend Tolerance is $\pm 2^\circ$

Schedule 40 22-1/2° Elbow - Plain End



CANTEX 22-1/2-Degree Plain End Schedule 40 Standard Radius Elbows are used to change the direction of a conduit run by 22-1/2 degrees.

- Schedule 40 PVC construction for strength and durability
- For indoor or outdoor use
- Suitable for aboveground or buried
- Plain end connections are solvent weld
- ETL Listed
- Made in USA



| Part Number | Trade Size | Carton Qty. | "R" | "O" | "H" | "S" MIN | "L" |
|-------------|------------|-------------|--------|-------|--------|---------|--------|
| 5136403 | 1-1/4 | 25 | 7.250 | .563 | 2.750 | 2.000 | 2.875 |
| 5134094 | 1-1/2 | 25 | 8.250 | .625 | 3.125 | 2.000 | 3.250 |
| 5134067 | 2 | 10 | 9.500 | .750 | 3.625 | 2.000 | 3.750 |
| 5134096 | 2-1/2 | 20 | 10.500 | .813 | 4.000 | 3.000 | 4.125 |
| 5134068 | 3 | 8 | 13.000 | 1.000 | 5.000 | 3.125 | 5.125 |
| 5134095 | 3-1/2 | 5 | 15.000 | 1.125 | 5.750 | 3.250 | 5.875 |
| 5133757 | 4 | 20 | 16.000 | 1.250 | 6.125 | 3.375 | 6.250 |
| 5134037 | 5 | 60* | 24.000 | 1.813 | 9.188 | 3.625 | 9.375 |
| 5133901 | 6 | 50* | 30.000 | 2.250 | 11.500 | 3.750 | 11.750 |

* Pallet Quantity

Dimensions are nominal

Conforms to UL651 and NEMA TC3
 Material is Rigid PVC
 Bend Tolerance is $\pm 2^\circ$