



Linear Fluorescent

Linear Fluorescent Bath

Modular Fluorescent

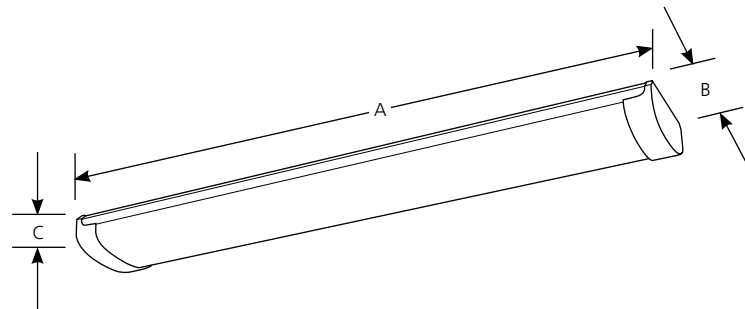
Energy Star® Qualified

Type _____

-30STR

P7154

Catalog No.	Finish	Lamping	Dimensions (Inches)		
	White		A	B	C
P7154	-30STR	2-25w T8	38-3/4	6-1/4	2-5/8



Specifications:

General

- Extruded frosted acrylic lens: 35-3/4" L., 6.3" W., 1.81" ht.
- Painted White (-30STR) finish
- Lens snaps in place
- Very shallow profile (2-5/8")
- Removable cover for in-line wiring
- Sockets metal backed
- Utilizes T8 lamps for electronic ballast
- ENERGY STAR® qualified

Mounting

- Wall or ceiling mount
- Individual or continuous run
- Chassis covers a standard 4" hexagonal recessed outlet box

Electrical

- 120V NPF electronic ballast
- Bi-pin twist-in base lamp holders
- Pre-wired

Labeling

- UL-CUL Damp location listed



Progress Lighting
 701 Millennium Blvd.
 Greenville, South Carolina
 29607

www.progresslighting.com

Rev. 02/14