

SIEMENS

Ingenuity for life



Definite Purpose Contactors

Back by popular demand,
Class 42 & 45 DP Contactors

2019
Catalog
Supple-
ment

usa.siemens.com/controls



Definite Purpose Control

Industrial Control Product Catalog 2019 — DP Supplement

contents

Definite Purpose Contactors

Class 42, 45 Product Nomenclature	2
Class 42, 45 General Application	3
Class 42, 45 Part Numbers	4
Class 42 Modifications & Accessories	5
Definite Purpose Cross Reference	6
Dimensions	7-8



Class 42




Class 45

Class 42 & 45 Product Nomenclature

Class 45

DP Contactor


Information shown on nomenclature sheets is for reference only to identify devices from existing catalog numbers. This information is not to be used for the creation of new catalog numbers.

45	C	G	2	0	A	J	A
CLASS	AMP RATING	MODEL	POWER POLES	NC POWER POLES	ENCLOSURE	COIL	STD FEATURES
45 DP Contactor	E 30 G 40	G	1 1 power pole 2 2 power poles	0 None	A Open	F 120V, 60 HZ 110V, 50 HZ G 208-240V, 60 HZ 190-220V, 50 HZ H 440-480V, 60 HZ 380-440V, 50 HZ J 24V, 60 HZ 24V, 50 HZ L 277V, 60 HZ	A Jumper Bar * Class F coil standard. Binding head screws (30A)/ lugs (40A) and quad quick connect standard. * Contact cover comes standard.
							

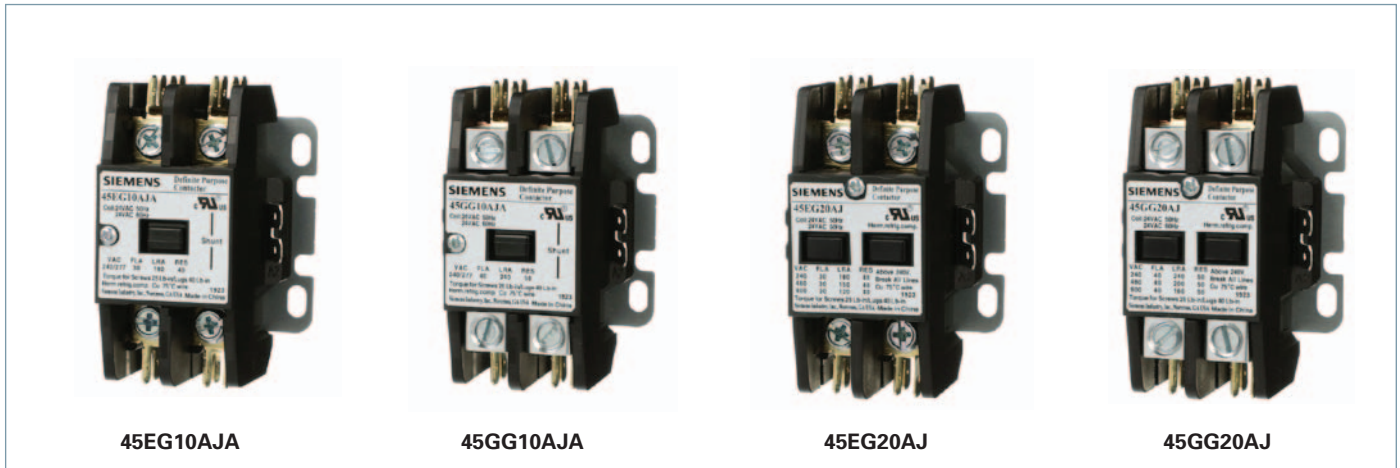
Class 42

DP Contactor

Information shown on nomenclature sheets is for reference only to identify devices from existing catalog numbers. This information is not to be used for the creation of new catalog numbers.

42	B	F	3	5	A	J
CLASS	AMP RATING	MODEL	POWER POLES	CONTROL CIRCUIT	ENCLOSURE	COIL
42 DP Contactor	B 30 C 40 D 50 E 60 F 75 G 90	F E* *75-90 amp only	1 2 power poles 3 3 power poles	5 Without auxiliary contact	A Open	F 110V, 50 HZ 120V, 60 HZ G 190-220V, 50 HZ 208-240V, 60 HZ J 24V, 50 HZ 24V, 60 HZ H 380-440V, 50 HZ 440-480V, 60 HZ L 277V, 60 HZ
						

Class 45



45EG10AJ

45GG10AJ

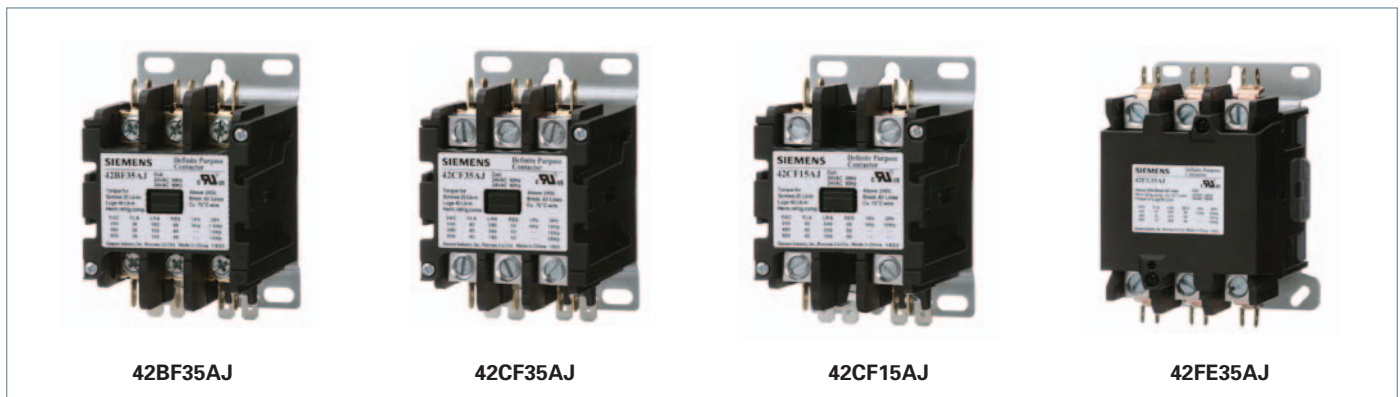
45EG20AJ

45GG20AJ

Features

- Power Terminations:
 - Quad Quick Connects
 - 30A: Screws
 - ≥40A: Box Lugs
- Compact Size
- Durable Metal Back Plate
- Enclosed Body and Coil
- One Pole Version Includes Shunt Bar
- Quiet Operation
- Weld-Resistant Silver Cadmium Oxide Contacts
- Visual Contact Position Indication
- Class F Coil Insulation

Class 42



42BF35AJ

42CF35AJ

42CF15AJ

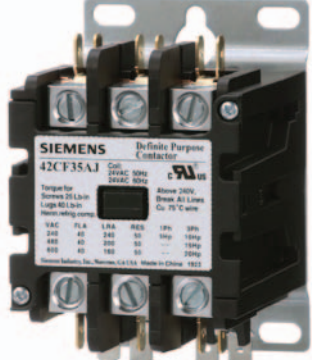
42FE35AJ

Features

- Power Terminations:
 - Quick Connects
 - 30A: Screws
 - ≥40A: Box Lugs
- Compact Size
- Durable Metal Back Plate
- Quiet Operation
- Weld-Resistant Silver Cadmium Oxide Contacts
- Visual Contact Position Indication
- Class F Coil Insulation
- Snap-On Auxiliary Contacts
- Replacement Coils Available

Approvals & Standards:

- **UL** US
- ARI 780 & 790
- Canadian Heater Rated
- SCCR 600 VAC
- UL File E14900

	Ordering Information ▶ Use complete catalog number. Replace the (●) with letter from the coil table on this page ▶ For additional information see www.usa.siemens.com/controls	Coil Selection (●)																		
		<table border="1"> <thead> <tr> <th>60Hz Voltage</th> <th>50Hz Voltage</th> <th>Letter</th> </tr> </thead> <tbody> <tr> <td>24</td> <td>24</td> <td>J</td> </tr> <tr> <td>110-120</td> <td>110</td> <td>F</td> </tr> <tr> <td>208-240</td> <td>190-220</td> <td>G</td> </tr> <tr> <td>277</td> <td>240</td> <td>L</td> </tr> <tr> <td>440-480</td> <td>380-440</td> <td>H^①</td> </tr> </tbody> </table>	60Hz Voltage	50Hz Voltage	Letter	24	24	J	110-120	110	F	208-240	190-220	G	277	240	L	440-480	380-440	H ^①
60Hz Voltage	50Hz Voltage	Letter																		
24	24	J																		
110-120	110	F																		
208-240	190-220	G																		
277	240	L																		
440-480	380-440	H ^①																		

Contactors

Class 45 Contactors


FLA	Locked Rotor Amps				Non Inductive Amps	Poles	Catalog Number
	240V	277V	480V	600V			
30	180	180	—	—	40	1	45EG10A●A
40	240	240	—	—	50	1	45GG10A●A
30	180	—	150	120	40	2	45EG20A●
40	240	—	200	160	50	2	45GG20A●

Class 42 Contactors

FLA	Locked Rotor Amps			Non Inductive Amps	Horsepower					Poles	Catalog Number
	240V	480V	600V		1 PH		3 PH				
					120 V	240 V	240V	480V	600V		
30	180	150	120	40	2	3	7.5	—	—	2	42BF15A●
40	240	200	160	50	3	5	10	—	—	2	42CF15A●
30	180	150	120	40	—	3	7.5	10	15	3	42BF35A●
40	240	200	160	50	—	5	10	15	20	3	42CF35A●
50	300	250	200	63	—	5	15	20	25	3	42DF35A●
60	360	300	240	75	—	7.5	20	25	30	3	42EF35A●
75	450	375	300	94	—	15	25	40	40	3	42FE35A●
90	540	450	360	120	—	15	30	50	50	3	42GE35A●




Accessories

Auxiliary Contacts

Description	Class	Contactor FLA	Auxiliary Contact Ratings	Auxiliary Contacts	Catalog Number
Snap-on Side Mounted Auxiliary Contacts 	42	30-60	NEMA A600 10A 600VAC	1 NO	49ACR0
				1 NC	49ACR6
				1 NO & 1 NC	49ACR6
				2 NO	49ACR7
				2 NC	49ACR8
				1 SPDT	49D36098001
	2 SPDT	49D36098003			
	42	75-90	NEMA A600 10A 600V	1 NO	49D22125001
				1 NC	49D22125002
				1 SPDT	49CE42SPDT

Replacement Coils

Class 42

Description	Third Character of Cat. No.	Fourth Character of Cat. No.	Volts 60 Hz	Volts 50 Hz	Catalog Number
 75D70646AF	B, C	F	24	24	75D70646AJ
			110-120	110	75D70646AF
			208-240	190-220	75D70646AG
			277	240	75D70646AL
			440-480	380-440	75D70646AH
 75D70550AF	D, E	F	24	24	75D70550AJ
			110-120	110	75D70550AF
			208-240	190-220	75D70550AG
			277	240	75D70550AL
			440-480	380-440	75D70550AH
 75D54772AF	F, G	E	24	24	75D54772AJ
			110-120	110	75D54772AF
			208-240	190-220	75D54772AG
			277	240	75D54772AL
			440-480	380-440	75D54772AH

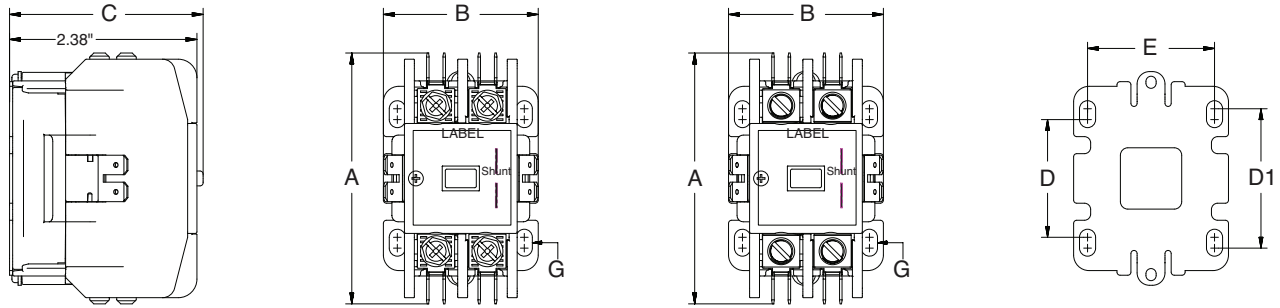
Catalog Numbers

Poles	Amps	Coil Volts	SIEMENS	ABB	Allen Bradley	Arrow Hart	Eaton Cutler Hammer	Fasco	General Electric	Joslyn Clark	Products Unlimited	Square D	Steveco	
1	30	24	45EG10AJA	DP30C1P-F	400-DP30NJ1	C301NU10	C25CNB130T	1S30-A	CR453CC3HAA	A77-306653A-3	3100-15Q2	8910DP31V14	94388	
		120	45EG10AFA	DP30C1P-1	400-DP30ND1	C301NU20	C25CNB130A	1S30-B	CR453CC3AAA	A77-306653A-1	3100-15T2	8910DP31V02	94389	
		208/240	45EG10AGA	DP30C1P-2	400-DP30NA1	C301NU30	C25CNB130B	1S30-C	CR453CC3BAA	A77-3066531-2	3100-15U2	8910DP31V09	94390	
	40	24	45GG10AJA	—	—	—	—	C25CNB140T	—	—	—	3100-15Q19	8910DP41V14	—
		120	45GG10AFA	—	—	—	—	C25CNB140A	—	—	—	3100-15T19	8910DP41V02	—
		208/240	45GG10AGA	—	—	—	—	C25CNB140B	—	—	—	3100-15U19	8910DP41V09	—
	2	30	24	45EG20AJ	—	400-DP30NJ2	C302U10	C25BNB230T	2S30-A	CR453CC2HAA	A77-306657A-3	3100-20Q6	8910DPA32V14	90244
			120	45EG20AF	—	400-DP30ND2	C302U20	C25BNB230A	2S30-B	CR453CC2AAA	A77-306657A-1	3100-20T6	8910DPA32V02	90245
			208/240	45EG20AG	—	400-DP30NA2	C302U30	C25BNB230B	2S30-C	CR453CC2BAA	A77-306657A-2	3100-20U6	8910DPA32V09	90246
277			45EG20AL	—	400-DP30NF2	C302050	C25BNB230H	—	CR453CC2FAA	—	3100-20V6	8910DPA32V04	—	
40		24	45GG20AJ	—	—	CA01NU10	C25BNB240T	—	CR453CE2HBB	—	3100-20Q18	8910DP42V14	—	
		120	45GG20AF	—	—	CA01NU20	C25BNB240A	—	CR453CE2ABB	—	3100-20T18	8910DP42V02	—	
		208/240	45GG20AG	—	—	CA01NU30	C25BNB240B	—	CR453CE2BBB	—	3100-20U18	8910DP42V09	—	
3		30	24	42BF35AJ	DP30C3P-F	400-DP30NJ3	ACC330UM10	C25DND330T	3M30-A	CR453AC3HAA	A77-309044A-3	3100-30Q9	8910DPA33V14	90163
			120	42BF35AF	DP30C3P-1	400-DP30ND3	ACC330UM20	C25DND330A	3M30-B	CR453AC3AAA	A77-309044A-1	3100-30T99	8910DPA33V02	90164
	208/240		42BF35AG	DP30C3P-2	400-DP30NA3	ACC330UM30	C25DND330B	3M30-C	CR453AC3BAA	A77-309044A-2	3100-30U9	8910DPA33V03	90165	
	40	24	42CF35AJ	DP40C4P-F	400-DP40NJ3	ACC430UM10	C25DNF340T	3M40-A	CR453AD3HBB	A77-309046A-3	3100-30Q10	8910DPA43V14	90170	
		120	42CF35AF	DP40C4P-1	400-DP40ND3	ACC430UM20	C25DNF340A	3M40-B	CR453AD3ABB	A77-309046A-1	3100-30T10	8910DPA43V02	90171	
		208/240	42CF35AG	DP40C4P-2	400-DP40NA3	ACC430UM30	C25DNF340B	3M40-C	CR453AD3BBB	A77-309046A-2	3100-30U10	8910DPA43V09	90172	
	50	24	42DF35AJ	—	400-DP50NJ3	ACC530U10	C25FNF350T	3L50-A	CR353FE3BH1	A77-288514A-3	3100-30Q16	8910DPA53V14	92459	
		120	42DF35AF	—	400-DP50ND3	ACC530U20	C25FNF350A	3L50-B	CR353FE3BA1	A77-288514A-1	3100-30T16	8910DPA53V02	92460	
		208/240	42DF35AG	—	400-DP50NA3	ACC530U30	C25FNF350B	3L50-C	CR353FE3BB1	A77-288514A-2	3100-30U16	8910DPA53V09	92461	
	60	24	42EF35AJ	DP60C3P-F	400-DP60NJ3	ACC630U10	C25FNF360T	3L60-A	CR353FF3BH1	A77-288517A-3	3100-30Q17	8910DPA63V14	92462	
		120	42EF35AF	DP60C3P-1	400-DP60ND3	ACC630U20	C25FNF360A	3L60-B	CR353FF3BA1	A77-288517A-1	3100-30T17	8910DPA63V02	92463	
		208/240	42EF35AG	DP60C3P-2	400-DP60NA3	ACC630U30	C25FNF360B	3L60-C	CR353FF3BB1	A77-288517A-2	3100-30U17	8910DPA63V09	92464	
	75	24	42FE35AJ	—	400-DP75NJ3	ACC730U10	C25FNF375T	—	CR353EG3BH1	A77-288520A-3	3186-30I75	8910DPA73V14	92465	
		120	42FE35AF	—	400-DP75ND3	ACC730U20	C25FNF375A	—	CR353EG3BA1	A77-288520A-1	3186-30J75	8910DPA73V02	92467	
		208/240	42FE35AG	—	400-DP75NA3	ACC730U30	C25FNF375B	—	CR353EG3BB1	A77-288520A-2	3186-30K75	8910DPA73V09	92468	
	90	24	42GE35AJ	—	—	—	C25GNF390T	—	CR353EH3BH1	—	3186-30I90	8910DPA93V14	92469	
		120	42GE35AF	—	—	ACC930U20	C25GNF390A	—	CR353EH3BA1	—	3186-30J90	8910DPA93V02	—	
		208/240	42GE35AG	—	—	ACC930U30	C25GNF390B	—	CR353EH3BB1	—	3186-30K90	8910DPA93V09	—	

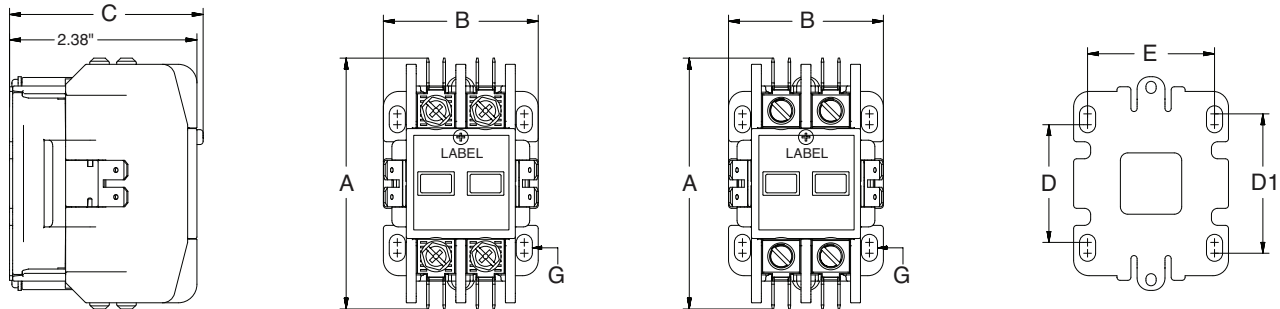
This cross reference does not purport to cover all details or variations in equipment, nor to provide for every possible contingency to be met in connection with installation, operation, or maintenance. Should further information be desired or should particular problems arise which are not covered sufficiently for the purchaser's purposes, the matter should be referred to the local Siemens Industry, Inc. sales office.

The contents of this cross reference shall not become part or modify any prior or existing agreement, commitment or relationship. The sales contract contains the entire obligation of Siemens Industry, Inc. The warranty contained in the contract between the parties is the sole warranty of Siemens Industry, Inc. Any statements contained herein do not create new warranties or modify the existing warranty.

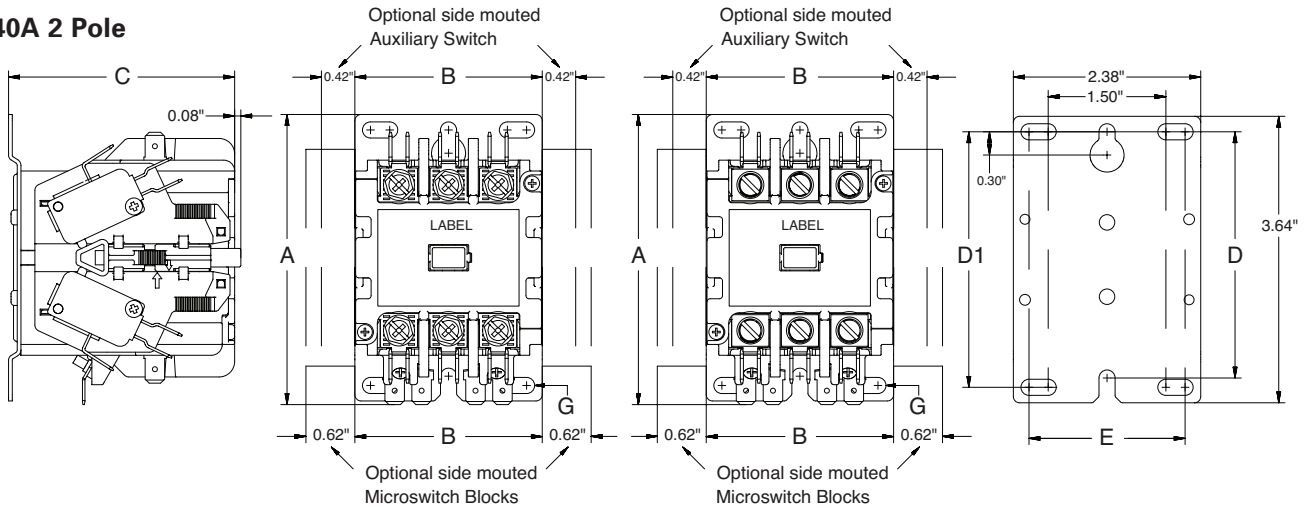
30-40A 1 Pole with Shunt



30-40A 2 Pole



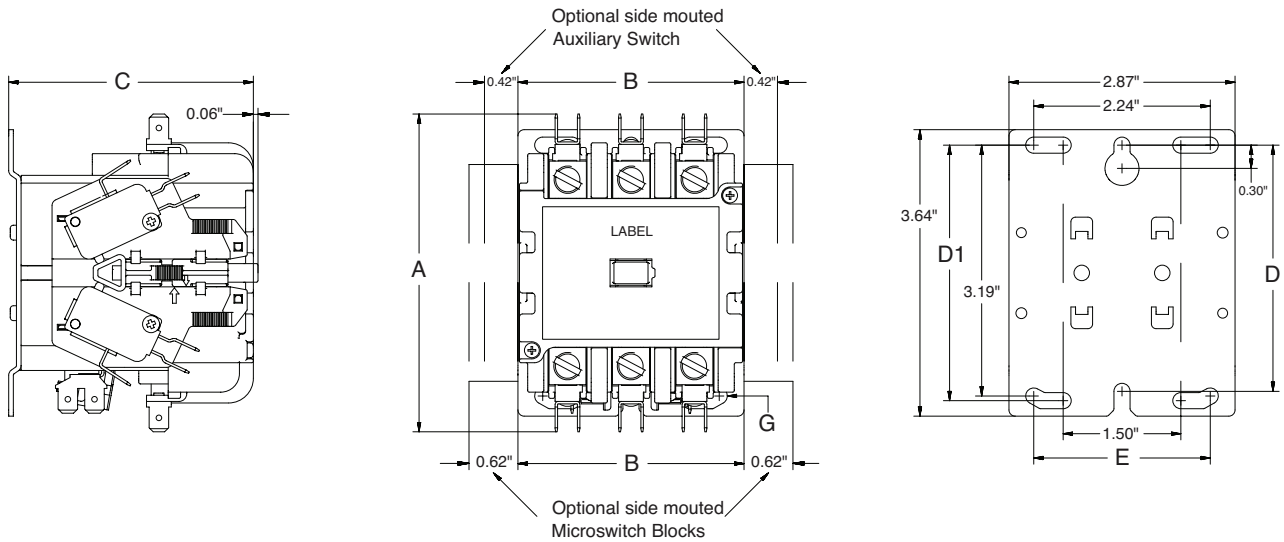
30-40A 2 Pole



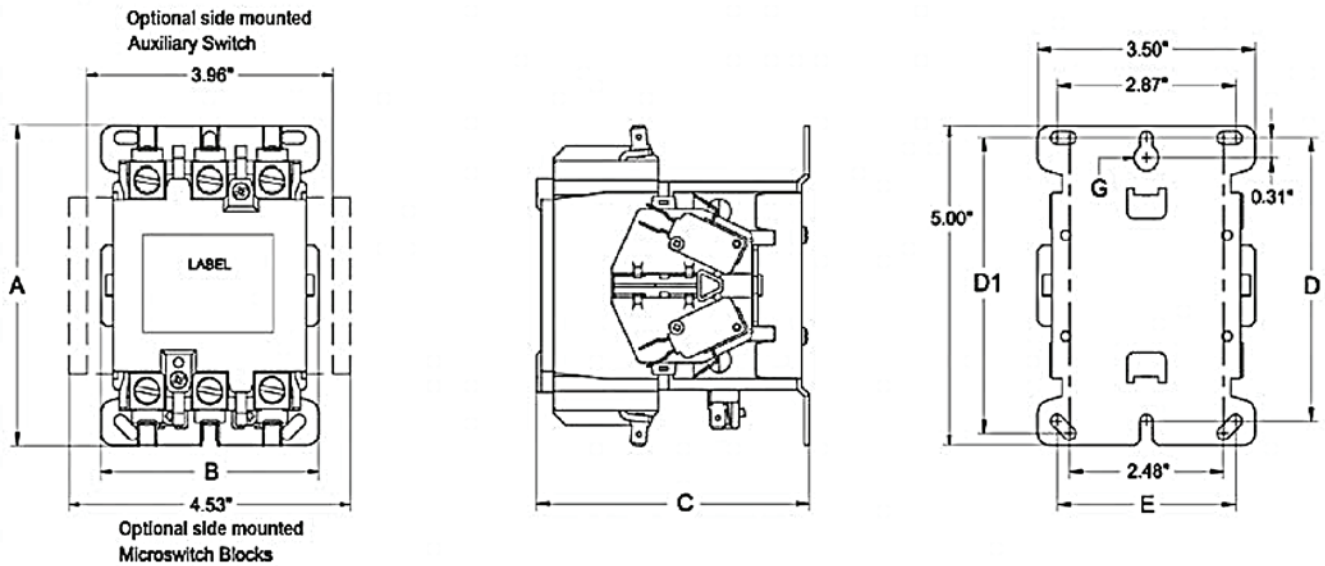
Catalog No.	FLA	Poles	Dimensions						Mounting Screw G	Max Wire Size	Weight
			A	B	C	D	D1	E			
45EG10A*A	30	1	3.19	1.97	2.46	1.5	1.77	1.61	10	8	.58 lbs.
45GG10A*A	40	1	3.19	1.97	2.46	1.5	1.77	1.61	10	4	.62 lbs.
45EG20A*A	30	2	3.19	1.97	2.46	1.5	1.77	1.61	10	8	.58 lbs.
45GG20A*A	40	2	3.19	1.97	2.46	1.5	1.77	1.61	10	4	.62 lbs.
42BF35A*	30	3	3.69	2.38	2.87	3.13	3.25	1.98	10	8	1.04 lbs.
42CF35A*	40	3	3.69	2.38	2.87	3.13	3.25	1.98	10	4	1.08 lbs.
42BF15A*	30-40	2(at 3P)*	3.69	2.38	2.87	3.13	3.25	1.98	10	4	1.03 lbs.
42CF15A*											

Note - 2* Pole is a 3 pole body with center contacts removed.

50-60A 3 Pole



75-90A 3 Pole



Catalog No.	FLA	Poles	Dimensions						Mounting Screw G	Max Wire Size	Weight
			A	B	C	D	D1	E			
42DF35A* 42EF35A*	50-60	3	4.04	2.87	3.11	3.13	3.25	2.24	10	2	1.59 lbs.
42FE35A* 42GE35A*	75-90	3	5.02	3.5	4.39	4.43	4.63	2.87	10	1/10	4.08 lbs.

Siemens Industry, Inc.
5300 Triangle Parkway
Norcross, GA 30092

1-800-241-4453
info.us@siemens.com

Order No.: CPSC-DPCT-1019
Printed in USA
© 2019 Siemens Industry, Inc.
All rights reserved

Subject to changes and errors. The information given in this document only contains general descriptions and/or performance features which may not always specifically reflect those described, or which may undergo modification in the course of further development of the products. The requested performance features are binding only when they are expressly agreed upon in the concluded contract.

usa.siemens.com/controls