



Color: Yellow



NEMA: 5-15R



1547

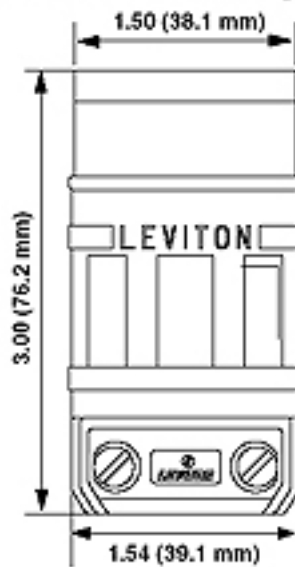
Description

15 Amp, 125 Volt, NEMA 5-15R, 2P, 3W, Connector, Straight Blade, Industrial Grade, Grounding, Dustguard - Yellow

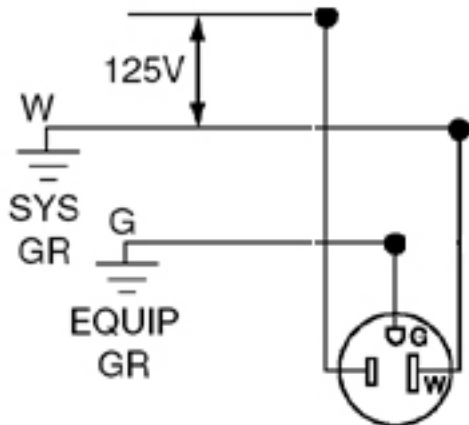
Product Features

- Grounding: Grounding
- Feature: Dustguard
- Amperage: 15 Amp
- Voltage: 125 Volt
- NEMA: 5-15R
- Pole: 2
- Wire: 3
- Cord Range: .240 - .655
- Wire Gauge: 18-12 AWG
- Blades/Contacts: Solid Brass
- Body Material: EPTR Rubber
- Assembly Screws: Steel, Zinc Plated
- Color: Yellow
- Standards and Certifications: UL/CSA
- Warranty: 10-Year Limited

Dimensional Diagram



Wiring Diagram



5-15R

SPECIFICATION SUBMITTAL

JOB NAME: <input type="text"/>	CATALOG NUMBERS: <input type="text"/>	<input type="text"/>
JOB NUMBER: <input type="text"/>	<input type="text"/>	<input type="text"/>

Leviton Manufacturing Co., Inc.

59-25 Little Neck Parkway, Little Neck, NY 11362-2591

Telephone: 1-800-323-8920 · FAX: 1-800-832-9538 · Tech Line (8:30AM-7:30PM E.S.T. Monday-Friday): 1-800-824-3005

Leviton Manufacturing of Canada, Ltd.

165 Hymus Boulevard, Pointe Claire, Quebec H9R 1E9 · Telephone: 1-800-469-7890 · FAX: 1-800-824-3005

Leviton S. de R.L. de C.V.

Lago Tana 43, Mexico DF, Mexico CP 11290 · Tel.: (+52)55-5082-1040 · FAX: (+52)5386-1797 · www.leviton.com.mx



Visit our Website at: www.leviton.com

©2007 Leviton Manufacturing Co., Inc. All rights reserved. Subject to change without notice.