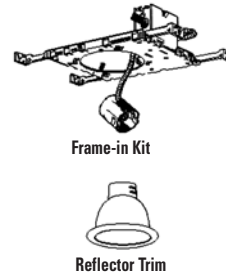
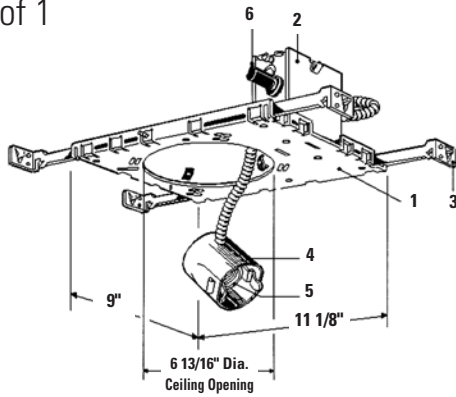


# LIGHTOLIER® Lytecaster Recessed Downlighting **1102P1**

Page 1 of 1

6 3/4" Aperture Incandescent Standard Frame-In Kit



Complete Fixture consists of Reflector Trim & Frame-In Kit. Select each separately.

| Frame-In Kit                                       | Reflector Trims — See Individual Reflector Trim Specification Sheets |         |             |             |                     |            |                    |         |          |                    |             |
|--|--|---------|-------------|-------------|---------------------|------------|--------------------|---------|----------|--------------------|-------------|
|  | Open Downlight   |         |             |             |                     | Adjustable |                    |         |          | Enclosed Diffusers | Wall Washer |
| Anodized Reflector                                 | Satin Cone   | Baffles | Basic White | Cross Blade | Recessed Line Volt. |            | Recessed Low Volt. | Eyeball |          |                    |             |
| 1102P1<br>1102P1M<br><br>3/8" Integral Plaster Lip | 1143   | 1108    | 1105        | 1170M1      | 1132                | 1127       | 1138               | 1152    | 1122     | 1121               | 1135        |
|  | 1144   | 1108NM  | 1105NM      | 1171        |                     | 1127BNM    | 1138NM             | 1155    | 1122WH   | 1124               | 1135WH      |
|  | 1144CD   | 1110    | 1105BNM     |             |                     | 1127NM     | 1148               | 1155WH  | 1123     | 1126               | 1185        |
|  | 1145   | 1110NM  | 1176        |             |                     | 1127WH     | 1148NM             | 1161    | 1123WH   | 1128               | 1186        |
|  | 1146   |         | 1179WH      |             |                     | 1127BK     | 1122               | 1161WH  |          | 1134               | 1186WH      |
|  | 1146CD   |         | 1176VH      |             |                     | 1127CD     | 1124               | 1163    |          | 1177SH             | 1195        |
|  | 1149   |         | 1179M1      |             |                     | 1129       |                    | 1164    |          | 1178SH             | 1196        |
|  | 1150   |         |             |             |                     | 1129CD     |                    |         |          | 1190               | 1196CD      |
|  | 1151   |         |             |             |                     | 1129CDNM   |                    |         |          |                    |             |
|  | 1151CD   |         |             |             |                     | 1129GD     |                    |         |          |                    |             |
|  |  |         |             |             |                     | 1129GDNM   |                    |         |          |                    |             |
|  |  |         |             |             |                     | 1129CL     |                    |         |          |                    |             |
|  |  |         |             |             |                     | 1129CLNM   |                    |         |          |                    |             |
|  |  |         |             |             |                     | 1129WH     |                    |         |          |                    |             |
|  |  |         |             |             |                     | 1129BK     |                    |         |          |                    |             |
|  |  |         |             | 1129BKNM    |                     |            |                    |         |          |                    |             |
|  | Cone:  |         |             |             |                     |            |                    |         | Open Wet |                    |             |
|  | 1112   |         |             |             |                     |            |                    |         | 1184WH   |                    |             |
|  | 1112NM   |         |             |             |                     |            |                    |         | 1184CD   |                    |             |
|  | 1113   |         |             |             |                     |            |                    |         |          |                    |             |
|  | 1113BK   |         |             |             |                     |            |                    |         |          |                    |             |
|  | 1113WH   |         |             |             |                     |            |                    |         |          |                    |             |
|  | 1113CD   |         |             |             |                     |            |                    |         |          |                    |             |
|  | 1113NM   |         |             |             |                     |            |                    |         |          |                    |             |
|  | 1113BKNM   |         |             |             |                     |            |                    |         |          |                    |             |
|  | 1113CDNM   |         |             |             |                     |            |                    |         |          |                    |             |

## Features

- Mounting Frame:** .036" (#20 ga.) galvanized steel. Accommodates all ceilings up to 1" thick; including existing or inaccessible areas. P1M version has 3/8" deep integral plaster lip. Four slots positioned 90° apart to simplify alignment, breakout section and anchor nails permit installation in existing ceilings from below. Push-in/twist-out rotoclips hold reflector flush to ceiling.
- Junction Box:** 4" x 3 1/2" x 2"; .063 (#14 ga.) galvanized steel. U. L. listed for maximum of 8 No. 12 ga. 75° C through branch circuit conductors (60° C end of run). Integral cable clamps permit attachment of nonmetallic Romex® or armored cable without need of additional connectors.
- Mounting Bars:** .059" (#16 ga.) galvanized steel. 13" long bars extend to 27", rotatable and lockable, with integral T-bar tabs. Attach to wood joist or T-bar ceilings without need of accessories.
- Socket Housing:** Impact extruded aluminum or galvanized steel.
- Socket:** Porcelain medium base; nickel plated screw shell. Pre-wired with #18 ga. SF1 leads to junction box.
- Thermal Protector:** Meets NEC and UL requirements. Insulation must be kept 3" away from fixture sides and wiring compartments and must not be placed above fixture in a manner which will entrap heat.

## Options & Accessories

- Mounting Bars:** 1976 - 13" set of (4)  
**Plaster Ceiling Ring:** 1961 - 7/8" depth for wet plaster ceilings. Not for use with P1M mounting frame.  
**Extra-Thick Ceiling Mounting Ring:** 1967A - up to 2" thick ceilings.  
**Remodeler Anchor Clip:** 1985S

## Options & Accessories (Cont.)

- 277V Remote Step Down Transformer:** 7997 - 227V down to 120V  
**Conversion Kit:** 1910CKU - Reference conversion kit specification sheet for trim and lamp options.

## Labels

UL (Suitable for Damp Locations), I.B.E.W.

Romex® is a registered trademark of General Cable Industries Inc.

| Job Information  | Type: |
|------------------|-------|
| <b>Job Name:</b> |       |
| <b>Cat. No.:</b> |       |
| <b>Lamp(s):</b>  |       |
| <b>Notes:</b>    |       |

631 Airport Road, Fall River, MA 02720 • (508) 679-8131 • Fax (508) 674-4710  
 We reserve the right to change details of design, materials and finish.  
 www.lightolier.com © 2008 Philips Group • G1008