

# 9350

Medium Base, Two-Piece, Keyless, Incandescent, Unglazed Porcelain Lampholder, Ring-Type, Single Circuit, Back Wired, - White



UPC Code : 078477348390

Country Of Origin : China

RoHS Compliant : Yes

### Technical Information

#### Material Specifications

**Circuit** : Single Circuit

**Shell Material** : Copper Alloy

**Voltage** : 250 Volt

**Wattage Rating** : 660W

#### Mechanical Specifications

**Availability** : Distribution

**Color** : White

**Mounting Type** : Ring Type

**Termination** : 2 Terminal Screws

#### Product Features

**Access** : Back Wired

**Availability** : Distribution

**Body Material** : Unglazed Porcelain

**Circuit** : Single Circuit

**Construction** : Two-Piece

**Gasket Rating** : 90C Dry Maximum

**Lamp Base** : Medium

**Lamp Socket Base** : Medium

**Lampholder Type** : Keyless

**Light Type** : Incandescent

**Mounting Type** : Ring Type

**Screw Shell Material** : Copper Alloy

**Standards and Certifications** : UL/CSA

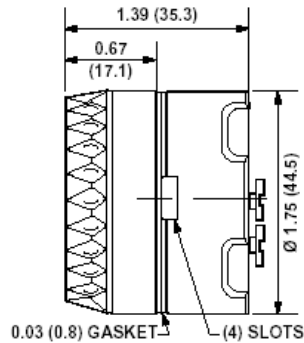
**Termination** : 2 Terminal Screws

**Warranty** : 1 Year Limited

#### Standards and Certifications

**CSA Certified** : File LR-1863

**UL Listed** : File E3810



### SPECIFICATION SUBMITTAL

|                      |                      |                      |
|----------------------|----------------------|----------------------|
| JOB NAME:            | CATALOG NUMBERS:     |                      |
| <input type="text"/> | <input type="text"/> | <input type="text"/> |
| JOB NUMBER:          | <input type="text"/> | <input type="text"/> |

**Leviton Manufacturing Co., Inc.**

201 North Service Road, Melville, NY 11747

Telephone: +1-800-323-8920 · FAX: +1-800-832-9538 · Tech Line (8:30AM-7:30PM E.S.T. Monday-Friday):  
+1-800-824-3005

**Leviton Manufacturing of Canada, Ltd.**

165 Hymus Boulevard, Pointe Claire, Quebec H9R 1E9 · Telephone: +1-800-469-7890 ·  
FAX: +1-800-824-3005 · [www.leviton.com/canada](http://www.leviton.com/canada)

**Leviton S. de R.L. de C.V.**

Lago Tana 43, Mexico DF, Mexico CP 11290 · Tel.: (+52)55-5082-1040 · FAX: (+52)5386-  
1797 · [www.leviton.com.mx](http://www.leviton.com.mx)

**Visit our Website at: [www.leviton.com](http://www.leviton.com)**

© 2021 Leviton Manufacturing Co., Inc. All Rights Reserved. Subject to change without notice.

**Leviton has a global presence.**

If you would like to know where your local Leviton office is located please go to:  
[www.leviton.com/international/contacts/](http://www.leviton.com/international/contacts/)

