

90° Liquidtight Connectors

Gray - Nylon

Features

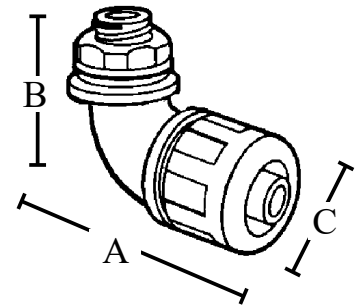
- Liquidtight, raintight, oiltight
- For flexible non-metallic liquidtight tubing
- Easy assembly avoids having to remove the compression nut
- 90° angle
- Gray
- Also available in black

Applications

- For use in wet and dry locations

Standard Material

- 6/6 Nylon



Catalog Number	UPC	Conduit Size	Unit Carton	Ship Case	Weight/Case	Inches		
						A	B	C
P490	21650	3/8" 1/2" KO	10	100	9	2.56	2.14	1.09
P491	21660	1/2"	10	100	8	2.56	2.14	1.09
P492	21670	3/4"	10	100	11	2.84	2.38	1.30
P493	21680	1"	5	50	8	2.25	2.81	1.50
P494	21681	1-1/4"	2	20	8	3.96	3.36	2.40
P495	21682	1-1/2"	2	20	10	4.13	3.45	2.68
P496	21683	2"	1	10	9	4.68	4.04	3.31