



Fluorescent

Standard
White Diffuser
Electronic Ballast

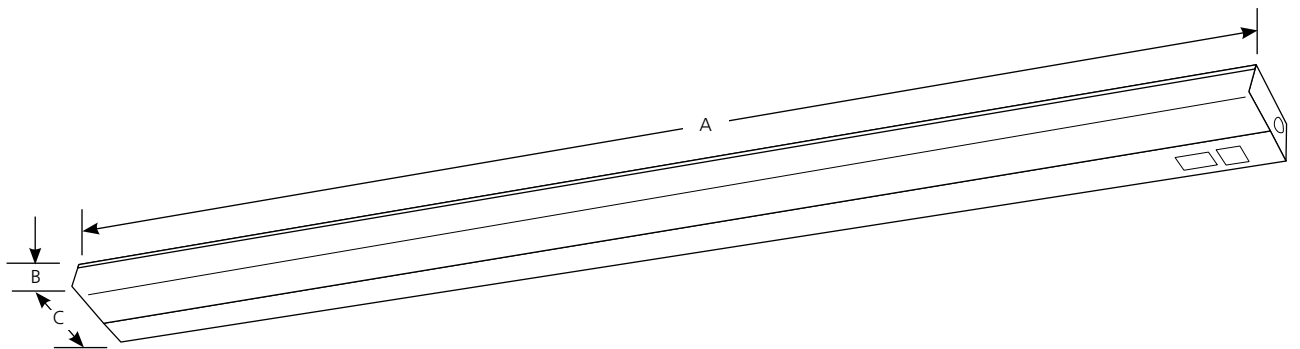
Undercabinet

Type _____

-30EBS

P7009

| Catalog No. | Finish | Lamping | Dimensions (Inches) | | |
|-------------|--------|---------|---------------------|-------|---------|
| | White | | A | B | C |
| P7009 | -30EBS | F32T8 | 48-3/16 | 1-3/8 | 3-15/16 |



Specifications:

General

- Trim, energy efficient fluorescent
- White baked enamel housing
- White acrylic diffuser: 48-1/8" L x 1-5/8" W x 1-3/8" D
- Diffuser snaps securely into place without the use of tools
- Steel chassis and ballast cover

Electrical

- Electronic 120V NPF ballast
- K.O. for rocker switch (P8603-01 accessory) and G.C.O. (P8608-30 accessory)

Labeling

- UL-CUL damp location listed

Mounting

- End KO's for continuous row mounting

Progress Lighting
701 Millennium Blvd.
Greenville, South Carolina
29607

www.progresslighting.com

Rev. 1/13



Fluorescent

Standard
White Diffuser
Electronic Ballast

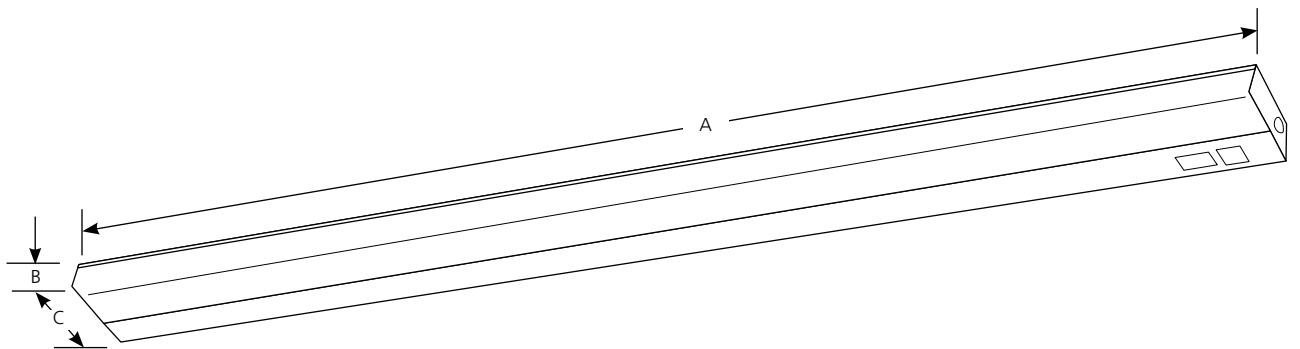
Undercabinet

Type _____

-30DVEBS

P7009

| Catalog No. | Finish | Lamping | Dimensions (Inches) | | |
|-------------|----------|---------|---------------------|-------|---------|
| | White | | A | B | C |
| P7009 | -30DVEBS | F32T8 | 48-3/16 | 1-3/8 | 3-15/16 |



Specifications:

General

- Trim, energy efficient fluorescent
- White baked enamel housing
- White acrylic diffuser: 48-1/8" L x 1-5/8" W x 1-3/8" D
- Diffuser snaps securely into place without the use of tools
- Steel chassis and ballast cover

Electrical

- Electronic 120/277V HPF ballast
- K.O. for rocker switch (P8603-01 accessory) and G.C.O. (P8608-30 accessory)

Labeling

- UL-CUL damp location listed

Mounting

- End KO's for continuous row mounting

Progress Lighting
701 Millennium Blvd.
Greenville, South Carolina
29607

www.progresslighting.com

Rev. 1/13