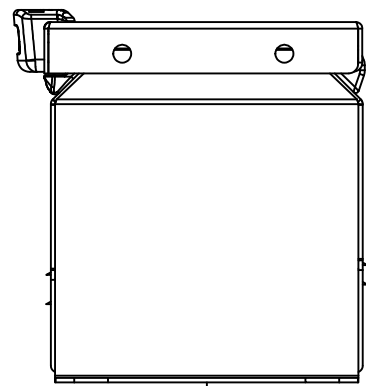
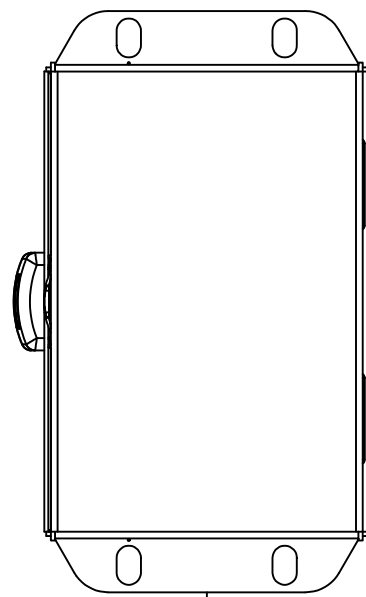


This drawing is confidential and must not be reproduced or used without the consent of EXM

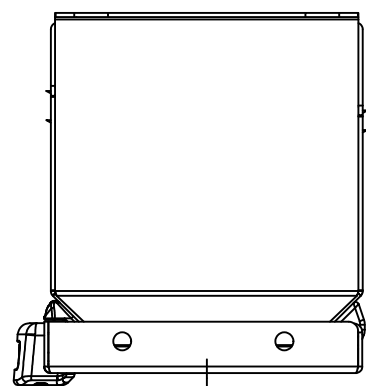
Ce dessin est confidentiel et ne doit pas être reproduit ou utilisé sans le consentement de EXM



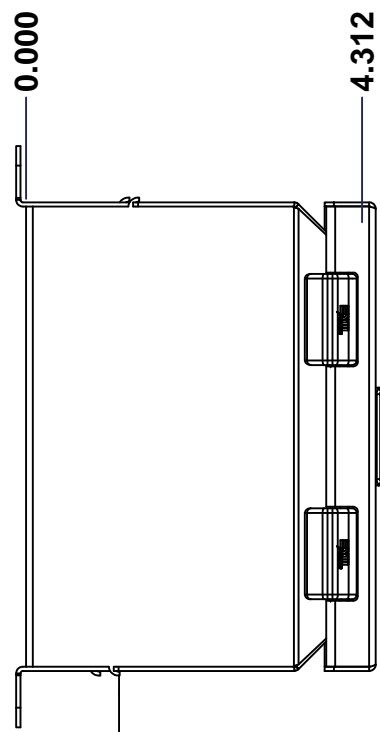
TOP



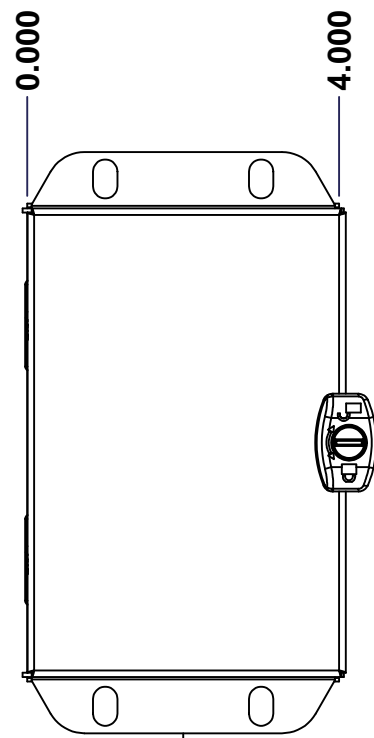
BACK



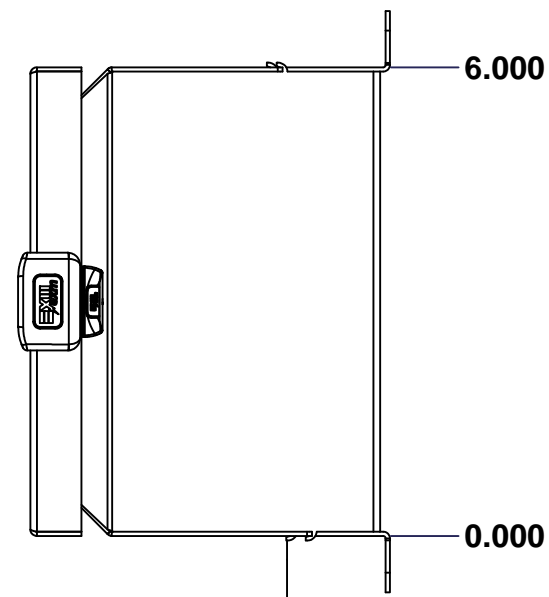
BOTTOM



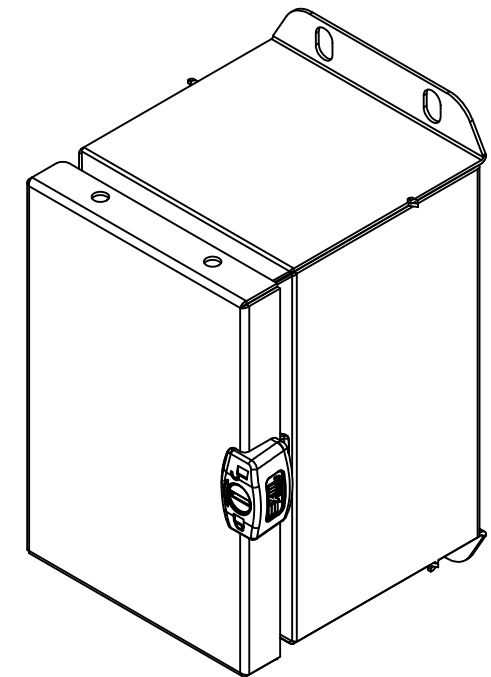
LEFT



FRONT




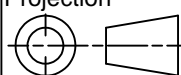
RIGHT



Isometric View



No.	Revisions	Date	By/Par

 Tél: (450) 979-4373 Fax: (450) 979-4626 <a href="http://www.exmweb.com">www.exmweb.com</a>		Flatness Aplatissement Max 3.0mm Projection 
Customer Client	Date	Date
Drawn By Dessiné Par	BoxCad: Annie	Date 06/02/2013
Material Matière	16 Ga Stainless Steel 304 (1.4mm)	
Color Couleur	Outside Unpainted and Inside White RAL9003	Finish Fini Brushed
Description	Detail Rev.	
5412ESSCH 6" x 4" x 4" Assembly		
Part Number Numéro Pièce	Rev.	
5412ESSCH060404	0	1 2

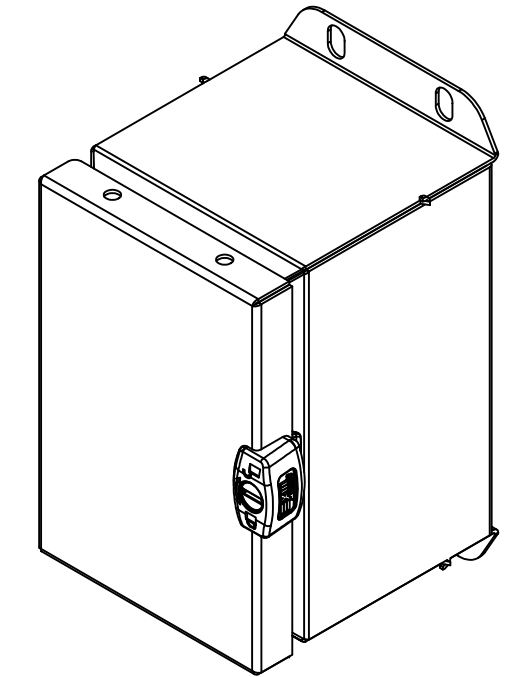
SEE BILL OF MATERIAL ON LAST PAGE

This drawing is confidential and must not be reproduced or used without the consent of EXM

Ce dessin est confidentiel et ne doit pas être reproduit ou utilisé sans le consentement de EXM


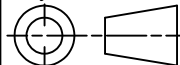
NOTE	
ITEM	DESCRIPTION
1	NEMA 4X Enclosure
2	C/W Standard ground standoffs on box and cover
3	W/O Standard door stiffener
4	C/W Standard inner panel (Sold seperately)
5	C/W Standard inner panel mounting standoffs

No.	Revisions	Date	By/Par



Isometric View

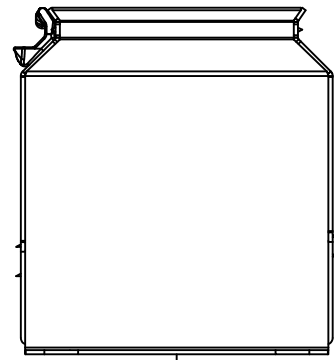


 Tél: (450) 979-4373 Fax: (450) 979-4626 <a href="http://www.exmweb.com">www.exmweb.com</a>		Flatness Aplatissement Max 3.0mm Projection 
Customer Client	Date	
Drawn By Dessiné Par	BoxCad: Annie	Date 06/02/2013
Material Matière	16 Ga Stainless Steel 304 (1.4mm)	
Color Couleur	Outside Unpainted and Inside White RAL9003	Finish Fini Brushed
Description	Detail Rev.	
5412ESSCH 6" x 4" x 4" Assembly		
Part Number Numéro Pièce	Rev.	2
<b>5412ESSCH060404</b>	<b>0</b>	<b>2</b>

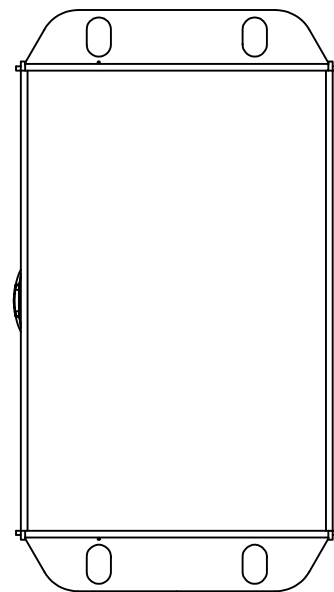
Qty	Part Number	Rev	Description
1	5412ESSCH060404C	0	5412ESSCH 6" x 4" Cover
1	STK-K-02910	0	5412 ESCH Accessory Kit
1	880 SP0604	0	880 SP0604 - Inner Panel
1	5412ESSCH060404B	0	5412ESSCH 6" x 4" x 4" Body
2	STK-Q-08100	1	M5 Nylon Insert Lock Nut
Parts List			

This drawing is confidential and must not be reproduced or used without the consent of EXM

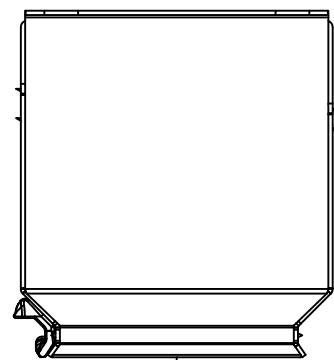
Ce dessin est confidentiel et ne doit pas être reproduit ou utilisé sans le consentement de EXM



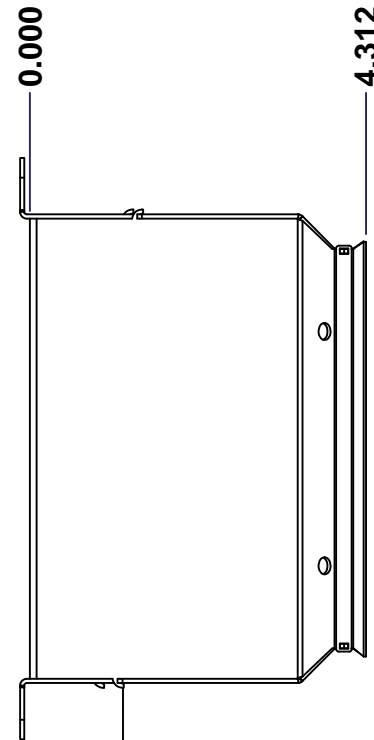
TOP



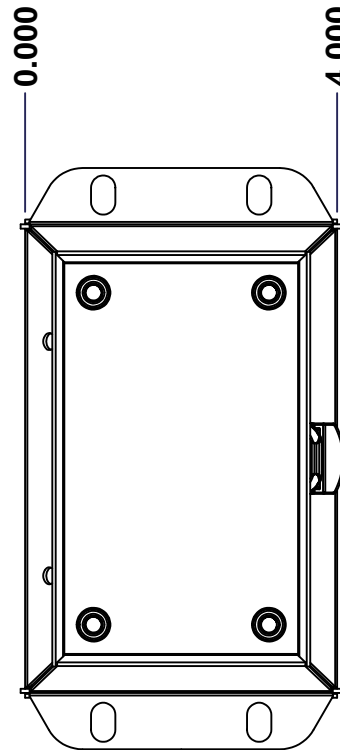
BACK



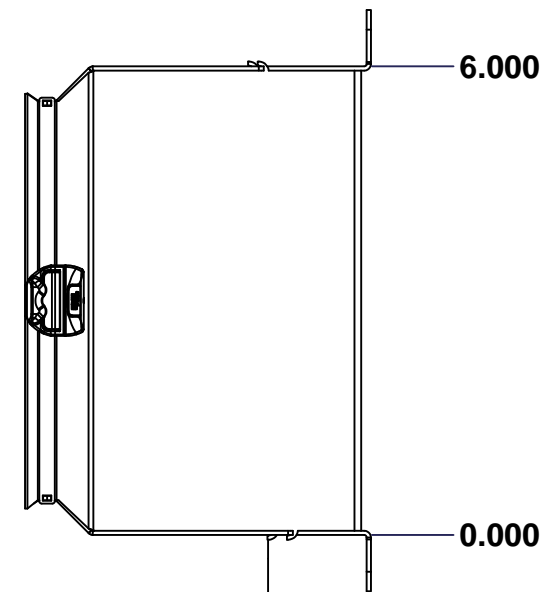
BOTTOM



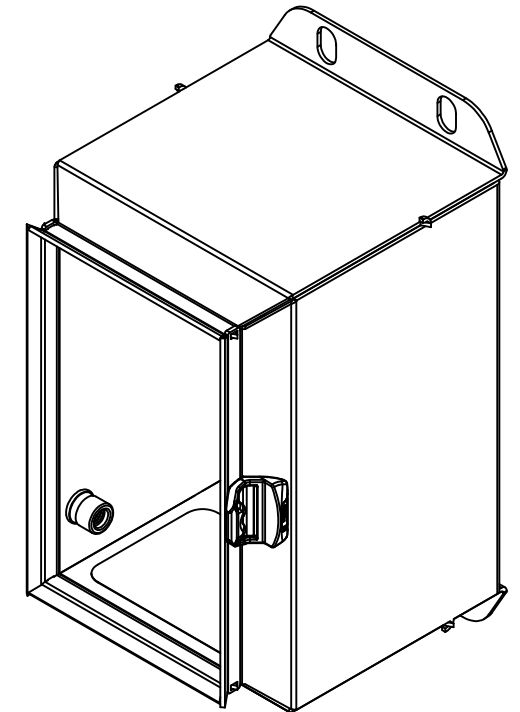
LEFT



FRONT



RIGHT



Isometric View

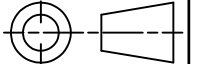


Tél: (450) 979-4373  
 Fax: (450) 979-4626  
[www.exmweb.com](http://www.exmweb.com)

Flatness  
Aplatissement

Max 3.0mm

Projection



Customer Client	Date
Drawn By Dessiné Par BoxCad: Annie	Date 06/02/2013

Material  
Matière 16 Ga Stainless Steel 304 (1.4mm)

Color Couleur Outside Unpainted and Inside White RAL9003	Finish Fini Brushed
---	------------------------

Description 5412ESSCH 6" x 4" x 4" Body	Detail Rev.
--	-------------

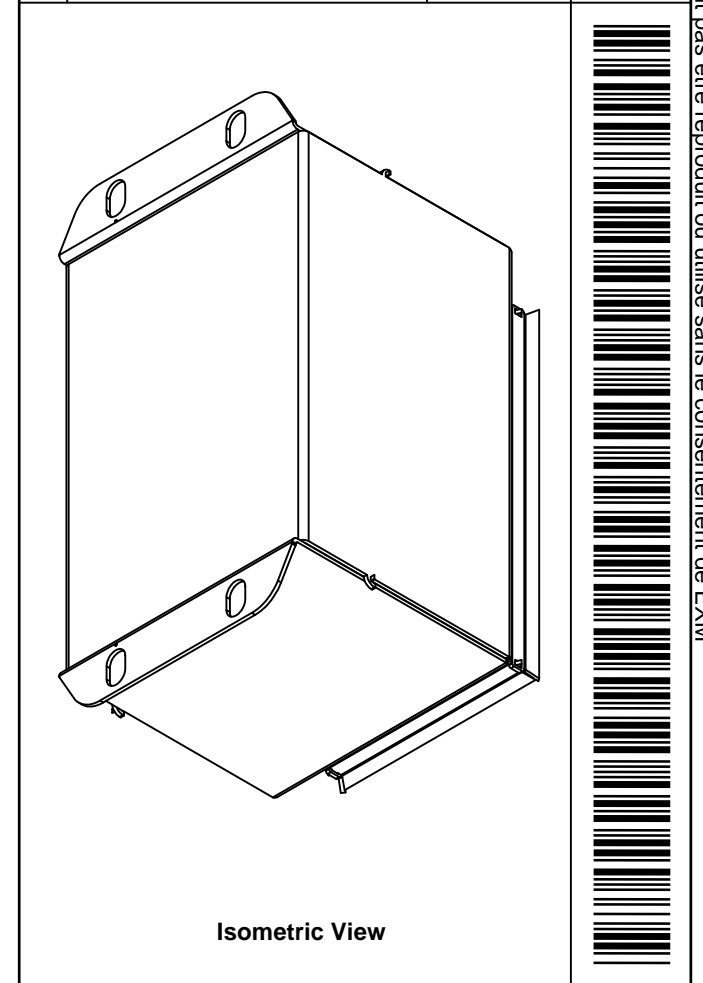
Part Number Numéro Pièce 5412ESSCH060404B	Rev. 0	1 7
--	--------	--------


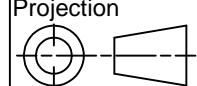
SEE BILL OF MATERIAL ON LAST PAGE

This drawing is confidential and must not be reproduced or used without the consent of EXM

Ce dessin est confidentiel et ne doit pas être reproduit ou utilisé sans le consentement de EXM

No.	Revisions	Date	By/Par

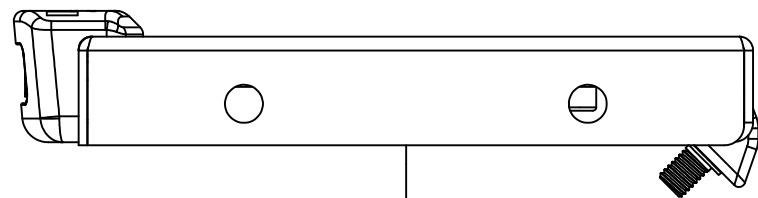


 Tél: (450) 979-4373 Fax: (450) 979-4626 <a href="http://www.exmweb.com">www.exmweb.com</a>		Flatness Aplatissement Max 3.0mm Projection 
Customer Client	Date	Date
Drawn By Dessiné Par	BoxCad: Annie	Date 06/02/2013
Material Matière	16 Ga Stainless Steel 304 (1.4mm)	
Color Couleur	Outside Unpainted and Inside White RAL9003	Finish Fini Brushed
Description	Detail Rev.	
5412ESSCH 6" x 4" x 4" Body		
Part Number Numéro Pièce	Rev.	7
<b>5412ESSCH060404B</b>	<b>0</b>	<b>7</b>

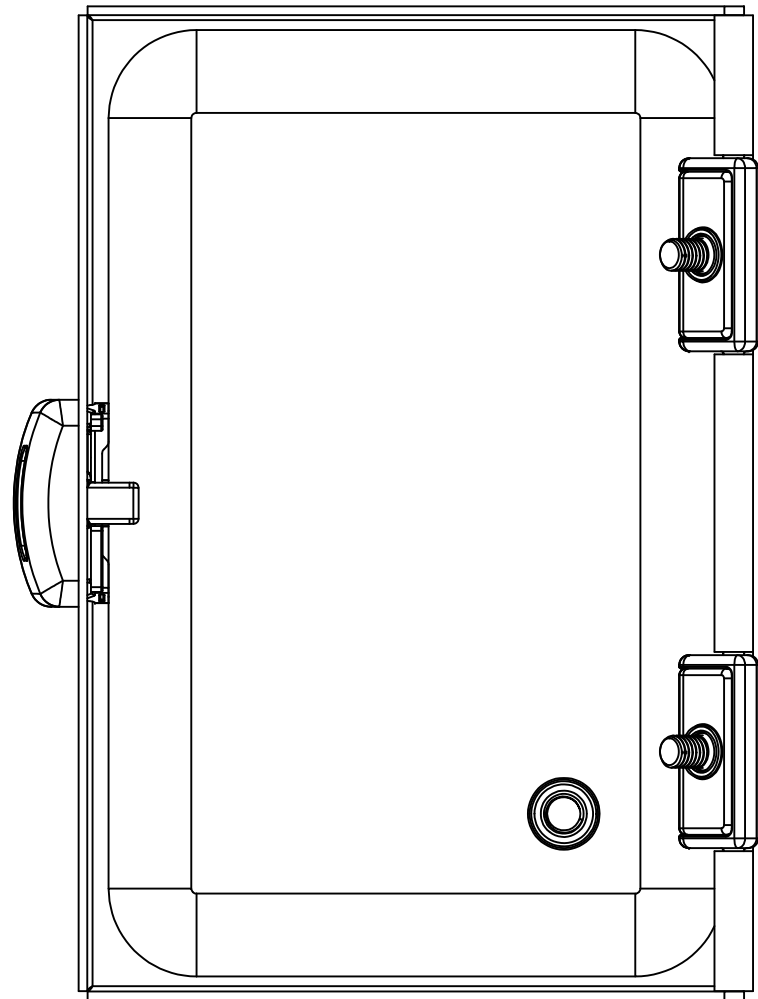
Qty	Part Number	Rev	Description
1	STK-S-00100	0.1. 1	3.5" x 2" Silver Milar Flexcon Sticker
1	STK-Q-08100	1	M5 Nylon Insert Lock Nut
1	STK-Q-70469	1	5412 ESSMCH - Stainless Steel 316 Body Catch
5	STK-Q-08500	4	Stainless Steel Standoff M6 x 10mm
1	5412ESSCH060404T-P	0	5412ESSCH 4" x 4" Top Part
1	5412ESSCH060404BT-P	0	5412ESSCH 4" x 4" Bottom Part
1	5412ESSCH060404B-P	0	5412ESSCH 6" x 4" x 4" Body Part
Parts List			

This drawing is confidential and must not be reproduced or used without the consent of EXM

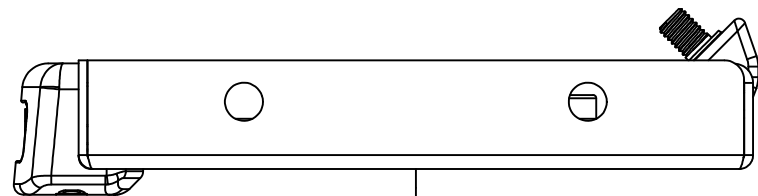
Ce dessin est confidentiel et ne doit pas être reproduit ou utilisé sans le consentement de EXM



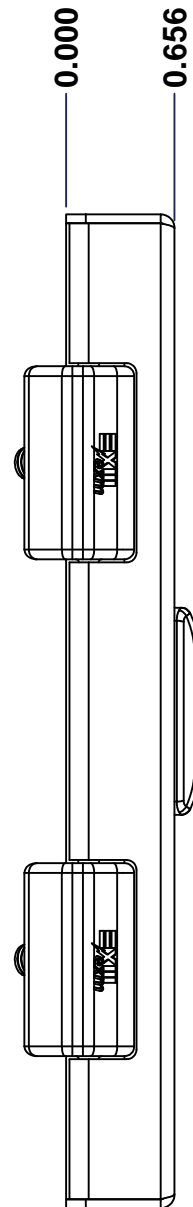
TOP



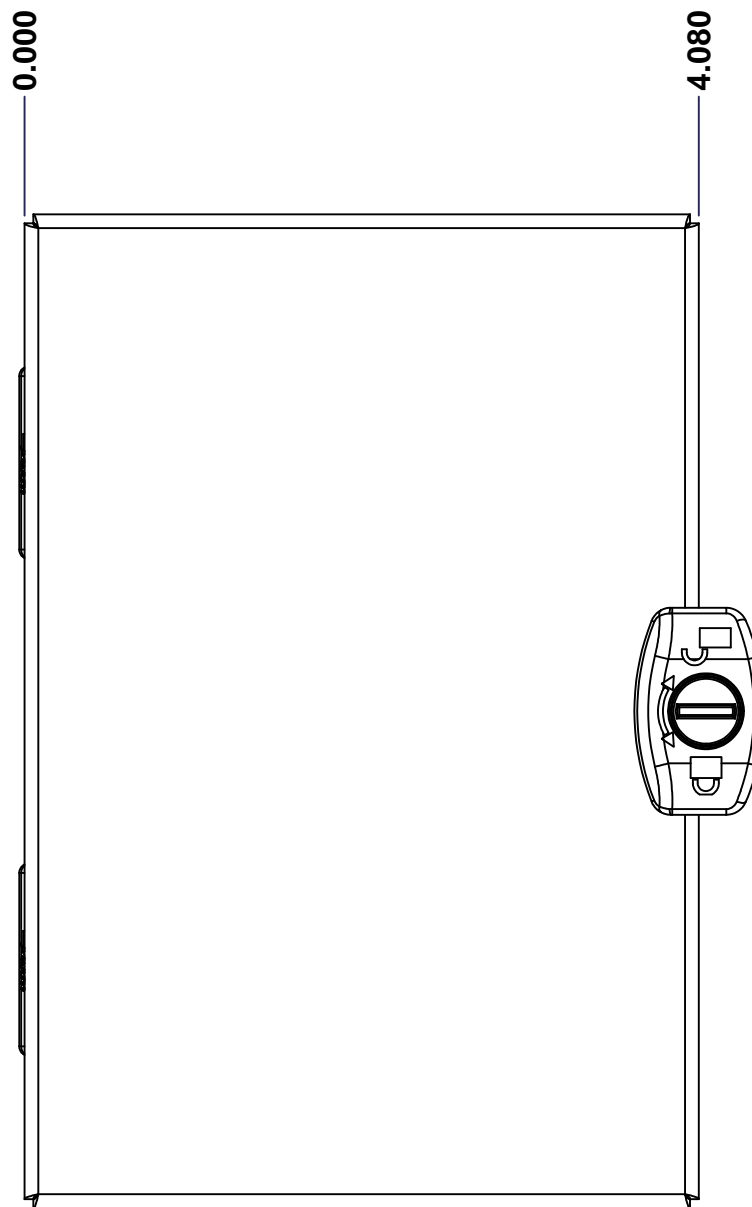
BACK



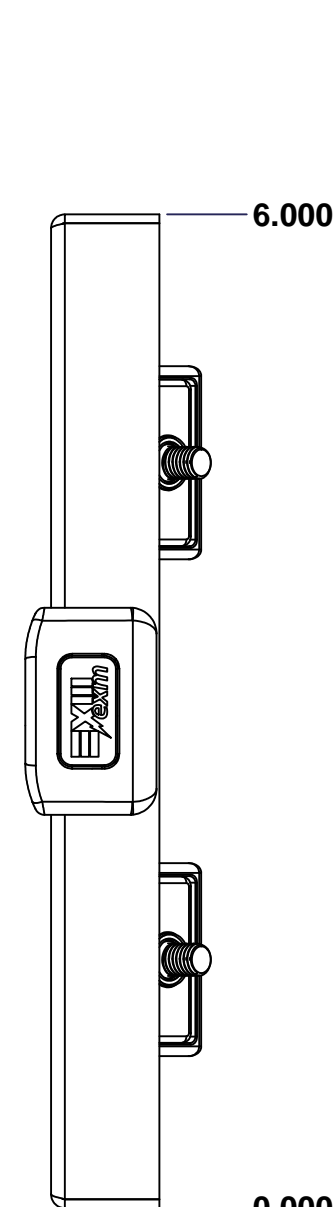
BOTTOM



LEFT

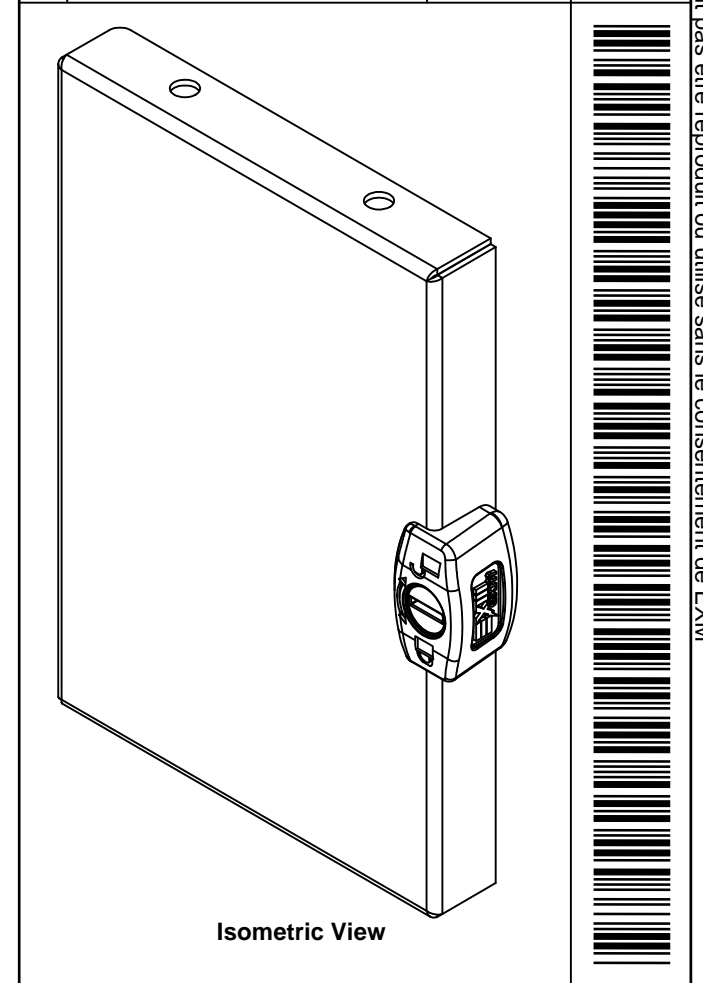


FRONT


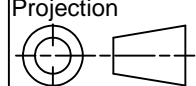


RIGHT

No.	Revisions	Date	By/Par



Isometric View

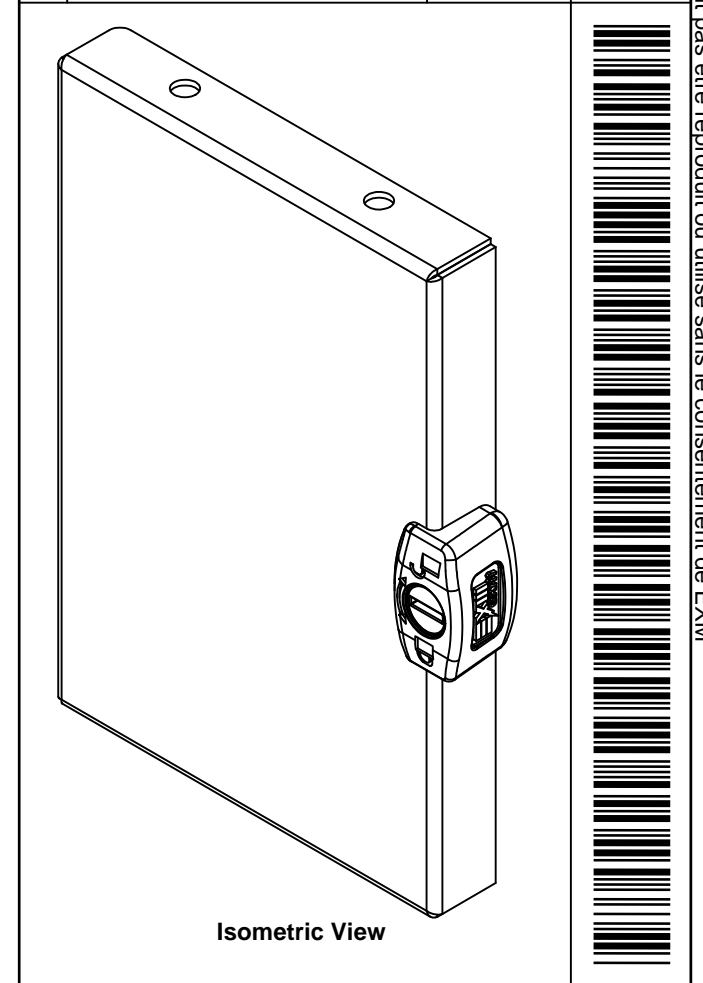
 Tél: (450) 979-4373 Fax: (450) 979-4626 <a href="http://www.exmweb.com">www.exmweb.com</a>		Flatness Aplatissement Max 3.0mm Projection 
Customer Client	Date	
Drawn By Dessiné Par	BoxCad: Annie	Date 06/02/2013
Material Matière	16 Ga Stainless Steel 304 (1.4mm)	
Color Couleur	Outside Unpainted and Inside White RAL9003	Finish Fini Brushed
Description	Detail Rev.	
5412ESSCH 6" x 4" Cover		
Part Number Numéro Pièce	Rev. 0	1 / 3
<b>5412ESSCH060404C</b>		


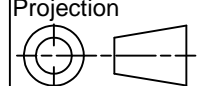
SEE BILL OF MATERIAL ON LAST PAGE

This drawing is confidential and must not be reproduced or used without the consent of EXM

Ce dessin est confidentiel et ne doit pas être reproduit ou utilisé sans le consentement de EXM

No.	Revisions	Date	By/Par

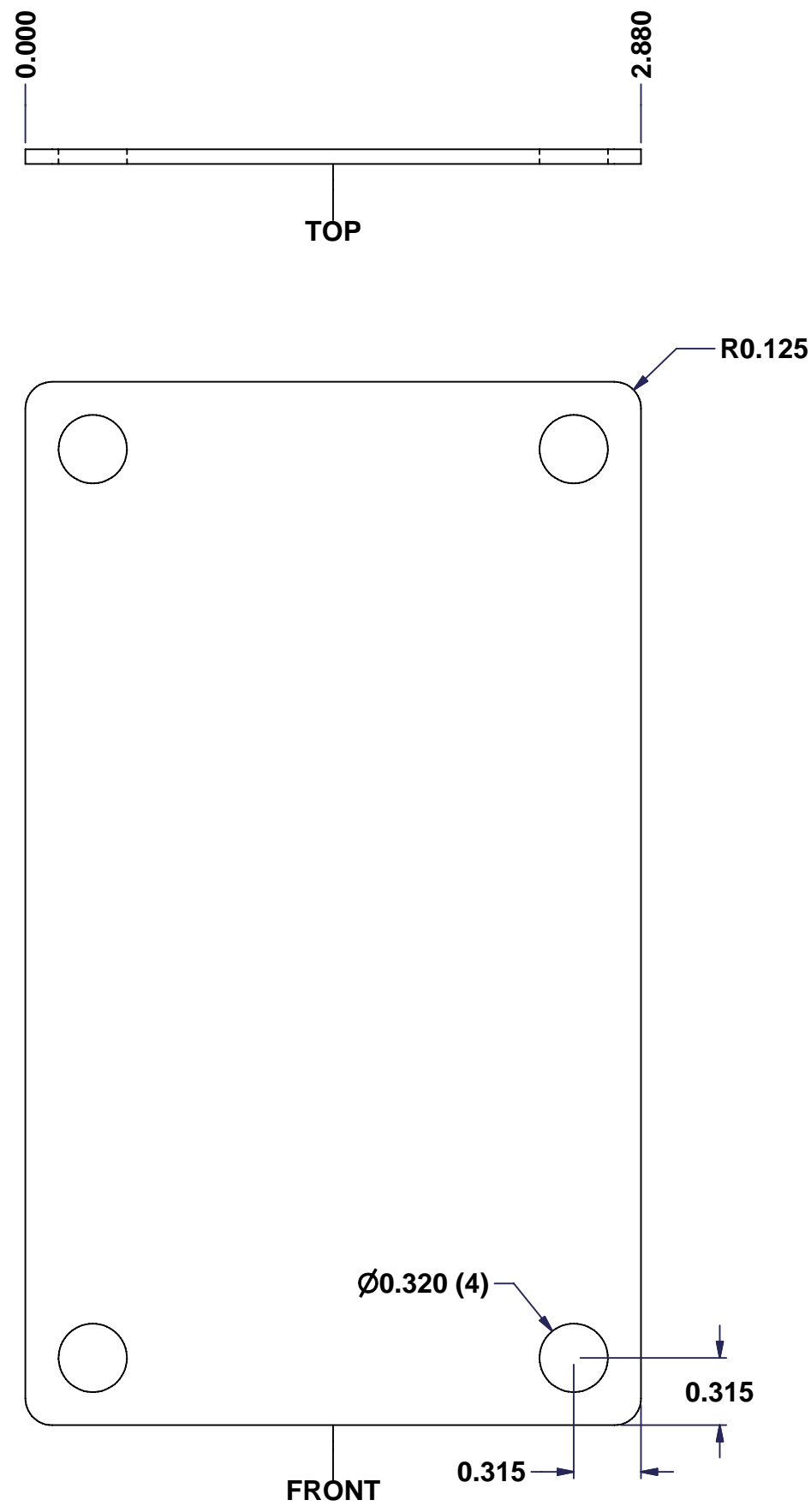


 Tél: (450) 979-4373 Fax: (450) 979-4626 <a href="http://www.exmweb.com">www.exmweb.com</a>		Flatness Aplatissement Max 3.0mm Projection 
Customer Client	Date	
Drawn By Dessiné Par	BoxCad: Annie	Date 06/02/2013
Material Matière	16 Ga Stainless Steel 304 (1.4mm)	
Color Couleur	Outside Unpainted and Inside White RAL9003	Finish Fini Brushed
Description		Detail Rev.
5412ESSCH 6" x 4" Cover		
Part Number Numéro Pièce	Rev.	3
<b>5412ESSCH060404C</b>	<b>0</b>	<b>3</b>

Qty	Part Number	Rev	Description
1	STK-Q-08500	4	Stainless Steel Standoff M6 x 10mm
1	880SCQ3MS	4	5412 ESSMCH - Stainless Steel External Lock Assy - Slot Lock
1	5412ESSCH060404G	0	5412ESSCH 6" x 4" Gasket
1	5412ESSCH060404C-P	0	5412ESSCH 6" x 4" Cover Part
2	STK-A-33038	2	5412 ESSMCH - Stainless Steel Hinge
Parts List			

This drawing is confidential and must not be reproduced or used without the consent of EXM

Ce dessin est confidentiel et ne doit pas être reproduit ou utilisé sans le consentement de EXM



No.	Revisions	Date	By/Par

Isometric View

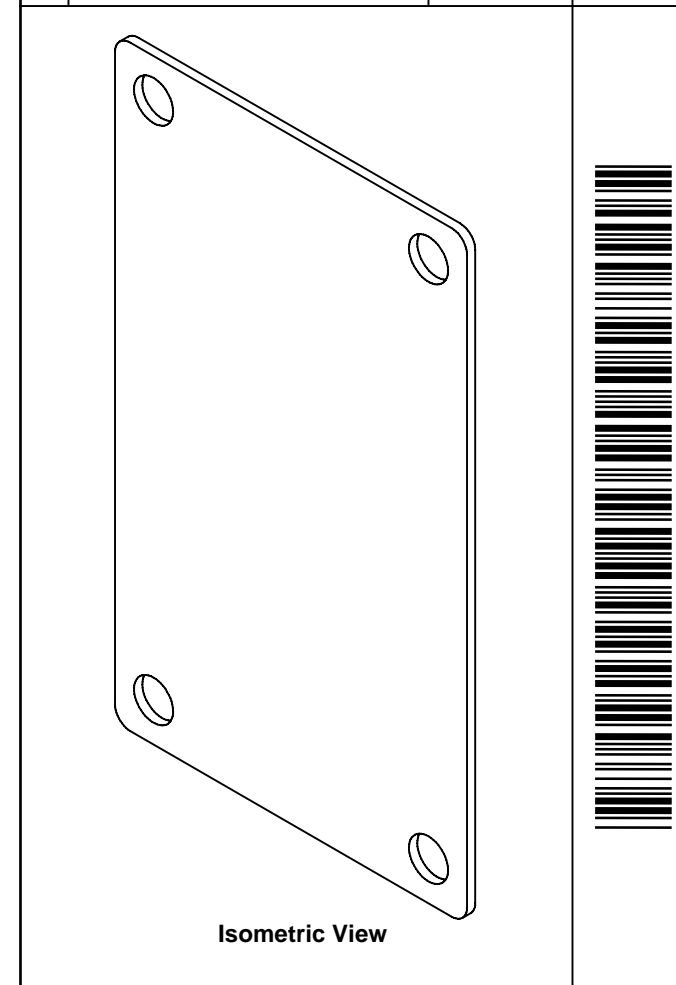
<p>Tél: (450) 979-4373 Fax: (450) 979-4626 www.exmweb.com</p>	Flatness Aplatissement	Max 3.0mm
	Projection	
Customer Client	Date	
Drawn By Dessiné Par	BoxCad	Date 23/Jan/07
Material Matière	14 Ga H.R.P. & O.	
Color Couleur	White	Finish Fini Smooth
Description	Detail Rev.	
880 SP0604 - Inner Panel		
Part Number Numéro Pièce	Rev.	1
<b>880 SP0604</b>	<b>0</b>	2

SEE BILL OF MATERIAL ON LAST PAGE

This drawing is confidential and must not be reproduced or used without the consent of EXM

Ce dessin est confidentiel et ne doit pas être reproduit ou utilisé sans le consentement de EXM

No.	Revisions	Date	By/Par



	Tél: (450) 979-4373 Fax: (450) 979-4626 www.exmweb.com	Flatness Aplatissement  Max 3.0mm
	Projection 	

Customer Client	Date
Drawn By Dessiné Par BoxCad	Date 23/Jan/07
Material Matière	14 Ga H.R.P. & O.
Color Couleur	White
Finish Fini	Smooth

Qty	Part Number	Rev	Description
1	STK-P-02401S	0	Powder Paint (White / Smooth)
1	880 SP0604-P	0	880 SP0604 - Inner Panel Part
Parts List			

Description	Detail Rev.
880 SP0604 - Inner Panel	
Part Number Numéro Pièce	Rev.
<b>880 SP0604</b>	<b>0</b>
	2