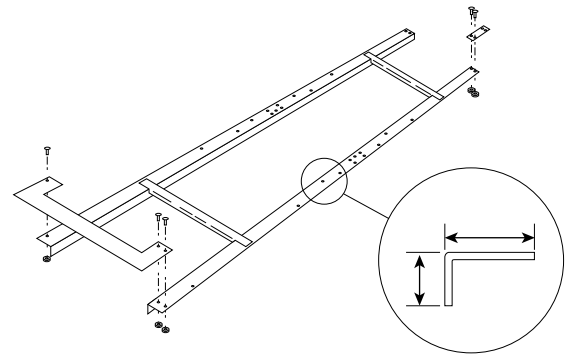


# Flange Kit and Plaster Frame Information

## Plaster Frames for J Series

Flange J Series			
Catalog No.	Description	Nominal Size	Inside Dimension
PL14	Individual	1x4	12" x 48 <sup>7</sup> / <sub>8</sub> "
PL14R	For Rows	1x4	
PL22	Individual	2x2	24" x 24 <sup>7</sup> / <sub>8</sub> "
PL24	Individual	2x4	24" x 48 <sup>7</sup> / <sub>8</sub> "
PL24R	For Rows	2x4	
PL44	Individual	4x4	48" x 48 <sup>7</sup> / <sub>8</sub> "

Use plaster inside dimensions for framing opening in dry ceilings.



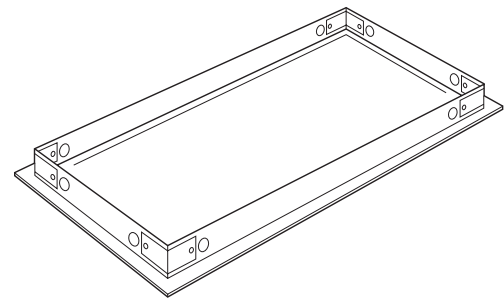
### Plaster Frames:

- For mounting any Columbia J Flanged Troffer in a plaster ceiling.
- Provides a clean, finished appearance.

## Flange Kits

Flange Kit		Ceiling Opening	
Catalog No.	Size	Width	Length
FK14	1'x4'	12 <sup>3</sup> / <sub>8</sub> "	48 <sup>3</sup> / <sub>8</sub> "
FK22	2'x2'	24 <sup>3</sup> / <sub>8</sub> "	24 <sup>3</sup> / <sub>8</sub> "
FK24	2'x4'	24 <sup>3</sup> / <sub>8</sub> "	48 <sup>3</sup> / <sub>8</sub> "
FK44	4'x4'	48 <sup>3</sup> / <sub>8</sub> "	48 <sup>3</sup> / <sub>8</sub> "
PWFK81	8" x 1'	8 <sup>3</sup> / <sub>8</sub> "	12 <sup>3</sup> / <sub>8</sub> "
PWFK82	8" x 2'	8 <sup>3</sup> / <sub>8</sub> "	24 <sup>3</sup> / <sub>8</sub> "
PWFK84	8" x 4'	8 <sup>3</sup> / <sub>8</sub> "	48 <sup>3</sup> / <sub>8</sub> "

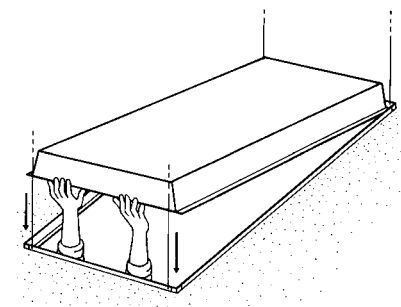
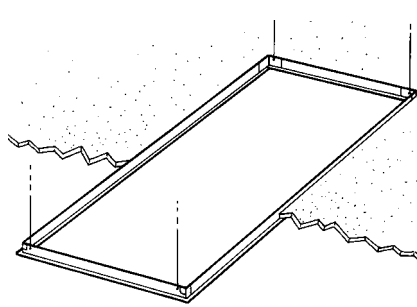
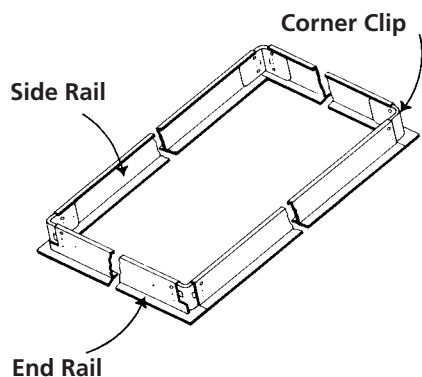
**Specifications:** Extruded aluminum side rails and end rails same size as T-bars. Finished with baked white enamel. Corner clips are 18 gauge galvanized steel. For use with recessed troffers and parabolics. **Row adapter kit available.** Contact your Columbia Lighting representative.



### Assembled Flange Kit Features:

- For mounting any Columbia Grid Troffer in a drywall or plaster ceiling.
- Reduces number of errors in specifying and ordering troffers.
- Eliminates need for flanged troffers.
- Extruded aluminum snaps together easily without the use of tools.

## Flange Kit Installation Instructions



1. Cut ceiling opening to proper dimensions. Slip fit corner clips into side and end rails. No tools are required.
2. Place Flange Kit in ceiling opening and wire each corner to ceiling structure. Pull up tight against ceiling.
3. Place grid type troffer in Flange Kit.