



**Glendora, California**

Toll-Free: 800.735.5566

Phone: 909.592.6272

Fax: 909.592.7971

**Roscommon, Ireland**

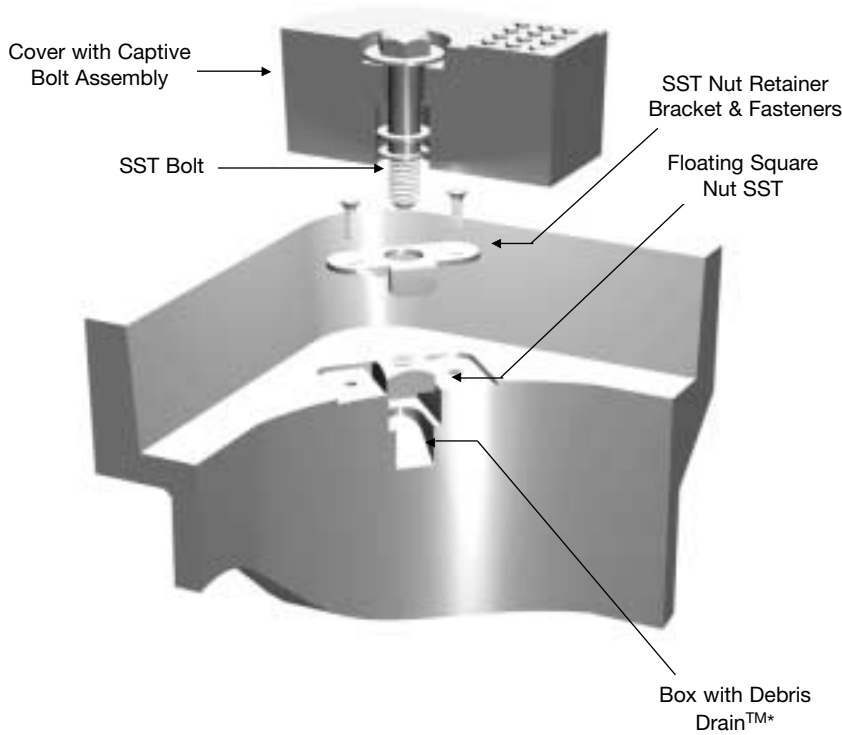
Phone: 35.39.03.25922

Fax: 35.39.03.25921

# Hardware

# Options

## Enclosure Options



### Box Assembly with Captive Bolt and Floating Nut

Meets WUC, Guide 3.6 requirement of 70 ft. lb. torque)

SST Bolt	SST Nut
3/8-16 UNC	3/8-16 UNC Square
1/2-13 UNC Hex Head	1/2-13 UNC Square
1/2-13 UNC Penta Head	1/2-6 Coil Thread, Square
1/2-6 Coil Thread Penta Head	

\*Patent Pending



### Captive Bolts

Tamper Resistant  
Standard Penta-Head Bolt (SS)

Standard Hex-Head Bolt (SS)

Call **Customer Service** with questions on all options pages.

Revision Date 4/2003

# Options

## Enclosure Options

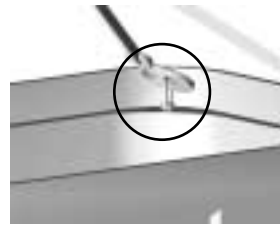
## Hardware

### Carson Industries, LLC

**Glendora, California**  
 Toll-Free: 800.735.5566  
 Phone: 909.592.6272  
 Fax: 909.592.7971

**Roscommon, Ireland**  
 Phone: 35.39.03.25922  
 Fax: 35.39.03.25921

### Lifting Eye



Lifting Eye



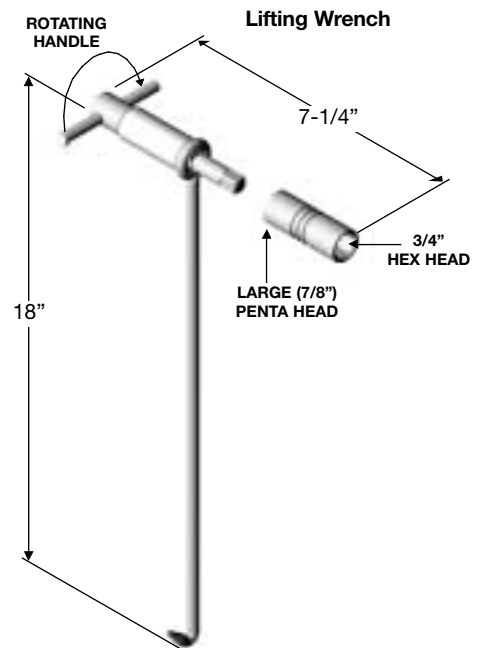
### Cover Hook

- A. Small Penta & Large Penta
- B. Small Hex & Large Hex



### Lifting Wrench

(Combination Lifting Hook/Cover Bolt Wrench)



Model	Sockets	Fits
MS02195	Small Penta & Large Penta	3/8" Bolt & 1/2" Bolt
MS02190	Small 9/16" Hex & Large 3/4" Hex	

All information contained in this brochure was current at the time of printing. Because of Carson Industries' policy of ongoing research and development, the Company reserves the right to discontinue or update product information without notice.

Call **Customer Service** with questions on all options pages.