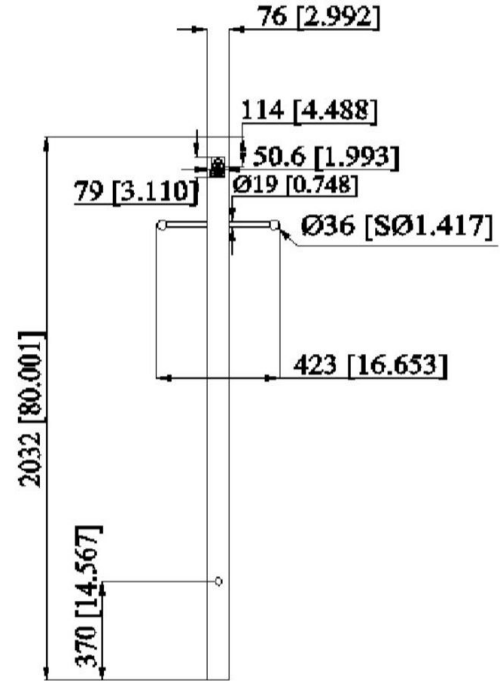


Outdoor Lamp Post with Cross Arm and Outlet

Black



SPECIFICATIONS

MATERIAL CONSTRUCTION:	Steel Post	ENERGY EFFICIENT:	NO
OUTLET COVER CONSTRUCTION:	Plastic	PHOTOCELL INCLUDED:	N/A
OUTLET INTERNAL CONSTRUCTION:	Plastic	SOLAR POWERED:	N/A
MOUNTING TYPE:	Ground Mounting	LIGHTING AMPS:	N/A
WEIGHT:	9.35 lbs	MOTION SENSOR:	N/A
ASSEMBLED DIMENSIONS:	16.7" L x 80" H x 3" D	DARK SKY:	NO
VOLTAGE:	120V		

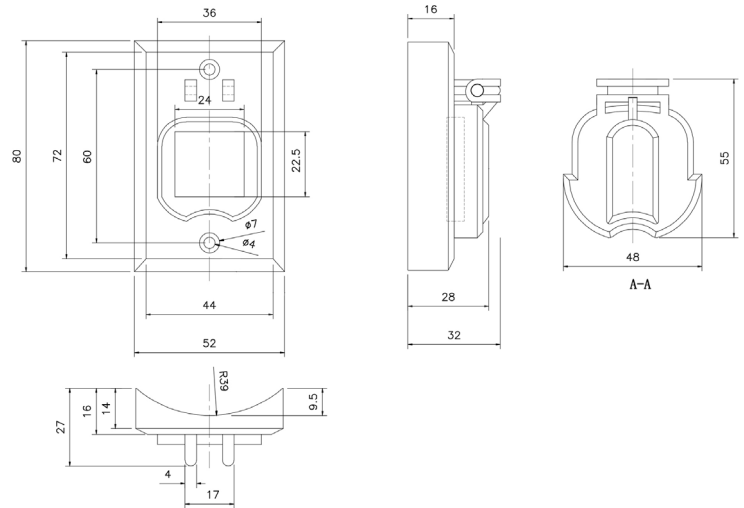
WARRANTY:	10-Year limited warranty
UL/ETL CERTIFICATION:	ETL
ADA COMPLIANT:	NO
ENERGY STAR CERTIFIED:	NO
WET/DRY/DAMP:	Damp



TYPE:
JOB:
ORDER CODE:
APPROVALS:

Outdoor Lamp Post Electrical Outlet

Black



SPECIFICATIONS

MATERIAL CONSTRUCTION:	Plastic	ENERGY EFFICIENT:	NO
OUTLET COVER CONSTRUCTION:	Plastic	PHOTOCELL INCLUDED:	N/A
OUTLET INTERNAL CONSTRUCTION:	Plastic	SOLAR POWERED:	N/A
MOUNTING TYPE:	Ground Mounting	LIGHTING AMPS:	N/A
WEIGHT:	0.13 lbs	MOTION SENSOR:	N/A
ASSEMBLED DIMENSIONS:	2" L x 3.15" H x 0.6" D	DARK SKY:	NO
VOLTAGE:	120V		

WARRANTY:	10-Year limited warranty
UL/ETL CERTIFICATION:	ETL
ADA COMPLIANT:	NO
ENERGY STAR CERTIFIED:	NO
WET/DRY/DAMP:	Damp



TYPE:
JOB:
ORDER CODE:
APPROVALS: