

ACTUATOR-/INDICATOR COMPONENT ON LAMP HOLDER
 3SB3400-1A TRANSFORMATORS FOR SNAPPING SCREW
 TERMINAL RATED VOLTAGE 127/24V AC



Figure similar

Product designation	lamp transformer
Contact block/ lampholder	
Number of lampholders	0
General technical data	
Product function	
• positive opening	No
Product component	
• diode	No
• lamp transformer	Yes
• Light source	No
• series resistor	No
Insulation voltage	
• rated value	250 V
Degree of pollution	class 3
Type of voltage	
• of the input voltage	AC
Surge voltage resistance rated value	4 kV

Protection class IP	
• of the enclosure	IP40
• of the terminal	IP20
Equipment marking	
• acc. to DIN 40719 extended according to IEC 204-2 acc. to IEC 750	H
• acc. to DIN EN 61346-2	P
• acc. to DIN EN 81346-2	P

Auxiliary circuit

Number of NC contacts	
• for auxiliary contacts	0
Number of NO contacts	
• for auxiliary contacts	0
Number of CO contacts	
• for auxiliary contacts	0

Inputs/ Outputs

Output voltage 1 of the lamp transformer rated value	24 V
---	------

Connections/Terminals

Type of electrical connection	screw-type terminals
--------------------------------------	----------------------




Ambient conditions

Ambient temperature	
• during operation	-25 ... +60 °C
• during storage	-25 ... +80 °C

Installation/ mounting/ dimensions

Mounting type	front mounting
Height	38.6 mm
Width	30 mm
Depth	50.2 mm

Certificates/approvals

General Product Approval	Declaration of Conformity	other
		
CSA	EG-Konf.	Environmental Confirmations Confirmation

Further information

Information- and Downloadcenter (Catalogs, Brochures,...)
<http://www.siemens.com/industrial-controls/catalogs>

Industry Mall (Online ordering system)

<https://mall.industry.siemens.com/mall/en/en/Catalog/product?mlfb=3SB3400-3A>

Cax online generator

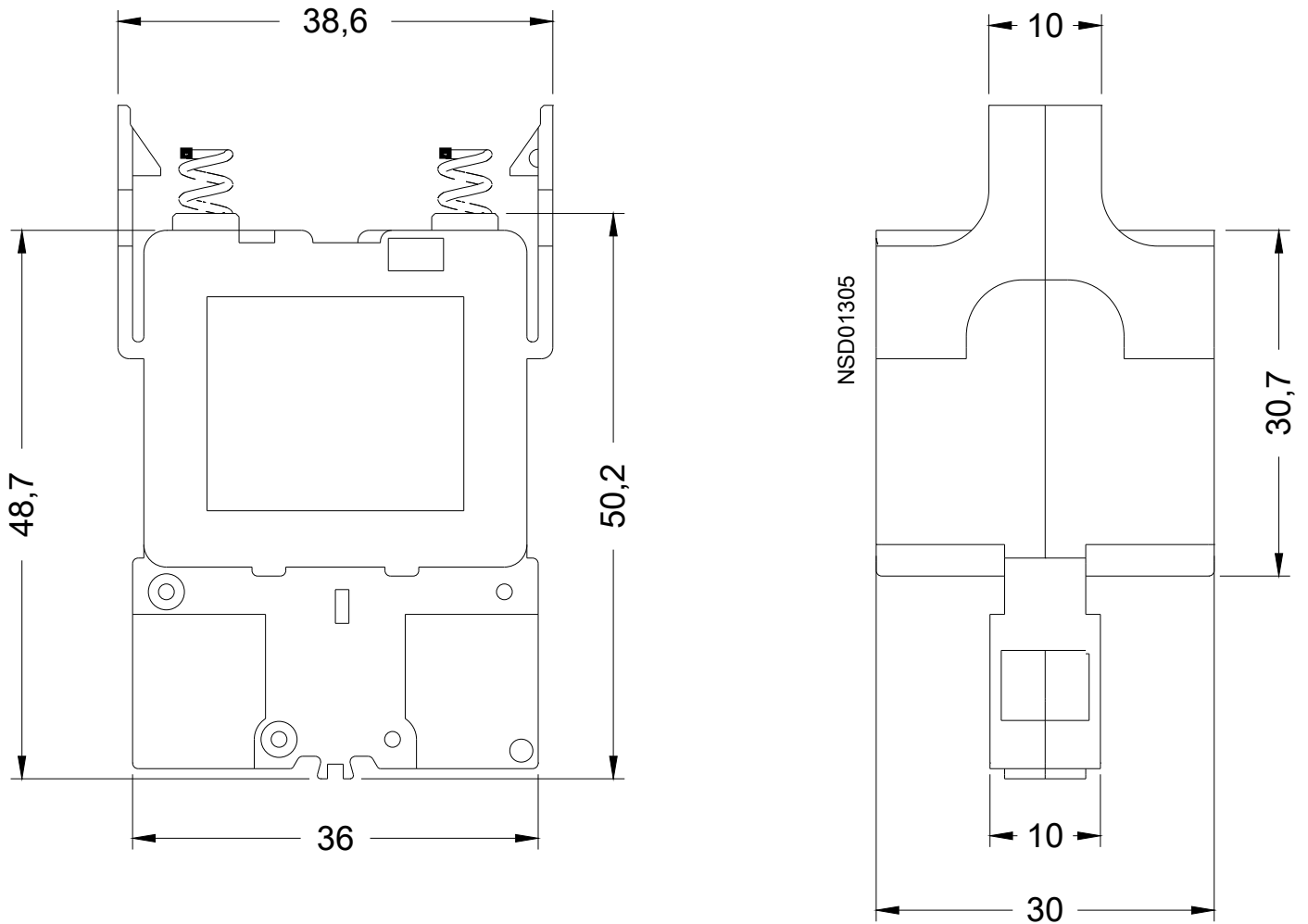
<http://support.automation.siemens.com/WW/CAXorder/default.aspx?lang=en&mlfb=3SB3400-3A>

Service&Support (Manuals, Certificates, Characteristics, FAQs,...)

<https://support.industry.siemens.com/cs/ww/en/ps/3SB3400-3A>

Image database (product images, 2D dimension drawings, 3D models, device circuit diagrams, EPLAN macros, ...)

http://www.automation.siemens.com/bilddb/cax_de.aspx?mlfb=3SB3400-3A&lang=en



last modified:

07/26/2017 