



ACTUATOR-/INDICATOR COMPONENT WITH  
INTEGRATED LED 110V AC LAMP HOLDER SCREW  
TERMINAL RED

Contact block / lampholder		
product designation		lampholder
Number of NC contacts / for auxiliary contacts		0
Number of NO contacts / for auxiliary contacts		0
Number of change-over switches / for auxiliary contacts		0
Product function / positive opening		No
Number of lampholders		1
Execution of the mounting		integrated
Nature of fluorescent material		LED
Color / of the fluorescent material		red
Design of the electrical connection		screw-type terminals

General technical details:		
Degree of pollution		class 3
Design of the fuse link / for short-circuit protection of the auxiliary switch / with type of assignment 1 / required		gG / Dz 10 A
Type of voltage / of the supply voltage / of the fluorescent material		AC
Supply voltage / 1 / of the fluorescent material		
<ul style="list-style-type: none"> <li>at 60 Hz / for AC / rated value</li> </ul>	V	110
<ul style="list-style-type: none"> <li>at 50 Hz / for AC / rated value</li> </ul>	V	110

<b>Type of voltage / of the operating voltage</b>		AC
<b>Item designation</b> <ul style="list-style-type: none"> <li>• according to DIN EN 61346-2</li> <li>• according to DIN 40719 extendable after IEC 204-2 / according to IEC 750</li> </ul>		P H
<b>Ambient temperature</b> <ul style="list-style-type: none"> <li>• during operating</li> <li>• during storage</li> </ul>	°C °C	-25 ... +70 -25 ... +80
<b>protection class IP</b> <ul style="list-style-type: none"> <li>• of the terminal</li> <li>• of the housing</li> </ul>		IP20 IP40
<b>Operating voltage / 1 / at 50 Hz / for AC / rated value</b>	V	110
<b>Operating voltage / 1 / at 60 Hz / for AC / rated value</b>	V	110
<b>Suitability for integration</b> <ul style="list-style-type: none"> <li>• pressure selection button</li> <li>• front element</li> <li>• suspension switch</li> <li>• suspension pushbutton</li> </ul>		front element Yes Yes Yes Yes
<b>Insulation voltage / rated value</b>	V	250
<b>Impulse voltage resistance / rated value</b>	kV	4
<b>Tightening torque / for auxiliary contacts / with screw-type terminals</b>	N·m	0.8
<b>Product component</b> <ul style="list-style-type: none"> <li>• fluorescent materials</li> <li>• diode</li> <li>• lamp transformer</li> <li>• series resistance</li> </ul>		Yes Yes No No
<b>Type of mounting</b>		front mounting

#### Connections:

<b>Type of the connectable conductor cross-section</b> <ul style="list-style-type: none"> <li>• for auxiliary contacts / solid</li> <li>• for auxiliary contacts / solid / with conductor end processing</li> <li>• for auxiliary contacts / finely stranded / with conductor end processing</li> <li>• for AWG conductors / for auxiliary contacts</li> </ul>		2x (1 ... 1.5 mm <sup>2</sup> ) 2x (0.5 ... 0.75 mm <sup>2</sup> ) 2x (0.5 ... 1.5 mm <sup>2</sup> ) 2x (18 ... 14)
---	--	--

#### Certificates/approvals:

General Product Approval



Test Certificates

[Special Test Certificate](#)

other

[Confirmation](#)



Further information:

Information- and Downloadcenter (Catalogs, Brochures,...)

<http://www.siemens.com/industrial-controls/catalogs>

Industry Mall (Online ordering system)

<http://www.siemens.com/industrial-controls/mall>

Cax online generator:

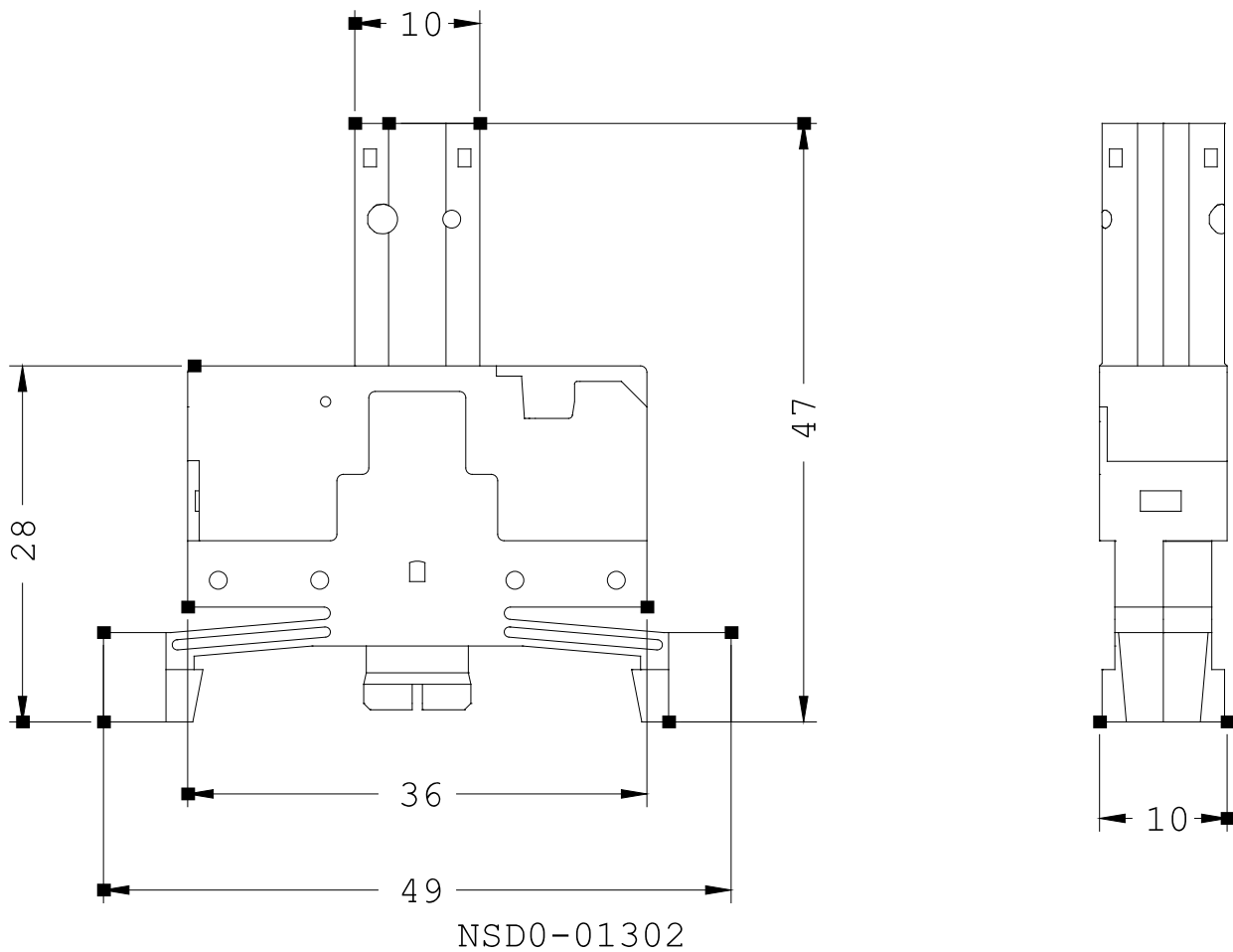
<http://www.siemens.com/cax>

Service&Support (Manuals, Certificates, Characteristics, FAQs,...)

<http://support.automation.siemens.com/WW/view/en/3SB3400-1QB/all>

Image database (product images, 2D dimension drawings, 3D models, device circuit diagrams, ...)

[http://www.automation.siemens.com/bilddb/cax\\_en.aspx?mlfb=3SB3400-1QB](http://www.automation.siemens.com/bilddb/cax_en.aspx?mlfb=3SB3400-1QB)



last change:

Apr 17, 2012