



ACTUATOR-/INDICATOR COMPONENT WITH INTEGRATED LED 24V AC/DC LAMP HOLDER SCREW TERMINAL YELLOW

Contact block / lampholder	
product designation	lampholder
Number of NC contacts / for auxiliary contacts	0
Number of NO contacts / for auxiliary contacts	0
Number of change-over switches / for auxiliary contacts	0
Product function / positive opening	No
Number of lampholders	1
Execution of the mounting	integrated
Nature of fluorescent material	LED
Color / of the fluorescent material	yellow
Design of the electrical connection	screw-type terminals

General technical details:	
Degree of pollution	class 3
Design of the fuse link / for short-circuit protection of the auxiliary switch / with type of assignment 1 / required	gG / Dz 10 A
Type of voltage / of the supply voltage / of the fluorescent material	AC/DC
Supply voltage / 1 / of the fluorescent material	
<ul style="list-style-type: none"> <li>at 60 Hz / for AC / rated value</li> </ul>	V 24
<ul style="list-style-type: none"> <li>at 50 Hz / for AC / rated value</li> </ul>	V 24

• for DC / rated value	V	24
<b>Type of voltage / of the operating voltage</b>		AC/DC
<b>Item designation</b>		
• according to DIN EN 61346-2		P
• according to DIN 40719 extendable after IEC 204-2 / according to IEC 750		H
<b>Ambient temperature</b>		
• during operating	°C	-25 ... +70
• during storage	°C	-25 ... +80
<b>protection class IP</b>		
• of the terminal		IP20
• of the housing		IP40
<b>Operating voltage / 1 / at 50 Hz / for AC / rated value</b>	V	24
<b>Operating voltage / 1 / at 60 Hz / for AC / rated value</b>	V	24
<b>Operating voltage</b>		
• 1 / for DC / rated value	V	24
• at 50 Hz / at AC / rated value	V	21.6 ... 26.4
• at 60 Hz / at AC / rated value	V	21.6 ... 26.4
• for DC		
• rated value	V	21.6 ... 26.4
<b>Suitability for integration</b>		front element
• pressure selection button		Yes
• front element		Yes
• suspension switch		Yes
• suspension pushbutton		Yes
<b>Insulation voltage / rated value</b>	V	250
<b>Impulse voltage resistance / rated value</b>	kV	4
<b>Tightening torque / for auxiliary contacts / with screw-type terminals</b>	N·m	0.8
<b>Product component</b>		
• fluorescent materials		Yes
• diode		Yes
• lamp transformer		No
• series resistance		No
<b>Type of mounting</b>		front mounting

### Connections:

<b>Type of the connectable conductor cross-section</b>		
• for auxiliary contacts / solid		2x (1 ... 1.5 mm <sup>2</sup> )
• for auxiliary contacts / solid / with conductor end processing		2x (0.5 ... 0.75 mm <sup>2</sup> )

- for auxiliary contacts / finely stranded / with conductor end processing
- for AWG conductors / for auxiliary contacts

2x (0.5 ... 1.5 mm<sup>2</sup>)

2x (18 ... 14)

### Certificates/approvals:

#### General Product Approval



CCC



CSA



GOST



UL

#### Test Certificates

[Special Test Certificate](#)

#### other

[Confirmation](#)



UL

### Further information:

#### Information- and Downloadcenter (Catalogs, Brochures,...)

<http://www.siemens.com/industrial-controls/catalogs>

#### Industry Mall (Online ordering system)

<http://www.siemens.com/industrial-controls/mall>

#### Cax online generator:

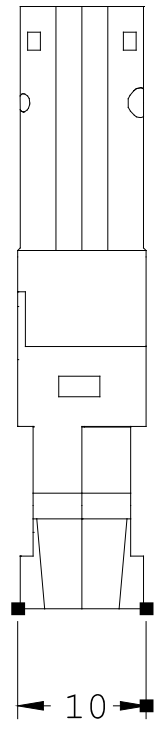
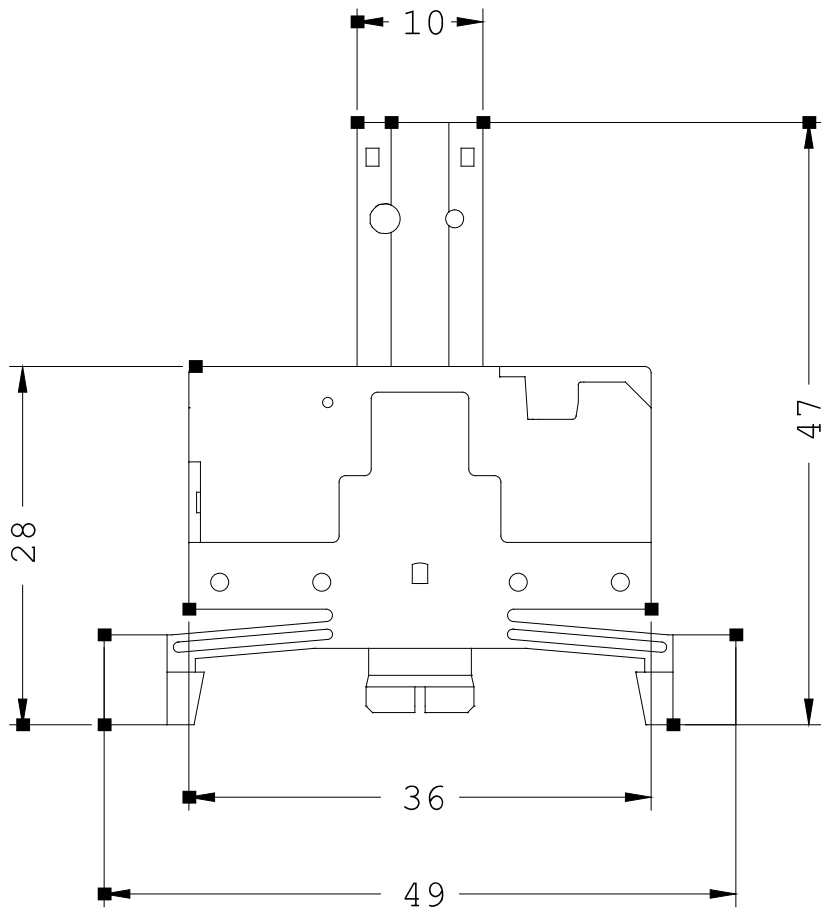
<http://www.siemens.com/cax>

#### Service&Support (Manuals, Certificates, Characteristics, FAQs,...)

<http://support.automation.siemens.com/WW/view/en/3SB3400-1PA/all>

#### Image database (product images, 2D dimension drawings, 3D models, device circuit diagrams, ...)

[http://www.automation.siemens.com/bilddb/cax\\_en.aspx?mlfb=3SB3400-1PA](http://www.automation.siemens.com/bilddb/cax_en.aspx?mlfb=3SB3400-1PA)



NSD0-01302

last change:

Apr 17, 2012