

Standard Clevis Hanger

Product Features

- Size Range: ½" through 16"
- Material: Carbon steel
- Finish: Plain or Galvanized
- Maximum Temperature: Plain 650° F, Galvanized 450° F
- Vertical adjustment without removing pipe may be made from 5/8" through 2 ¾", varying with the size of clevis. Tighten upper nut after adjustment.
- Design has yoke on outside of lower U-strap so yoke cannot slide toward center of bolt, thus bending of bolt is minimized.
- Sizes 5" and up have rod and two nuts instead of bolt and nut; thread length on clevis rod is such that the thread locks the nuts in place, and threads are not in shear plane.



Certifications

- Approvals: Complies with Federal Specification A-A-1192A (Type 1), WW-H-171-E (Type 1), ANSI/MSS SP-69 and MSS SP-58 (Type 1). UL, ULC Listed and FM Approved (Sizes ¾" through 8").

Caution: Hanger load nut above clevis must be tightened securely to assure proper hanger performance. When an oversize clevis is used, a pipe spacer or multispace should be placed over clevis bolt to ensure that the lower U-strap will not move in on the bolt.



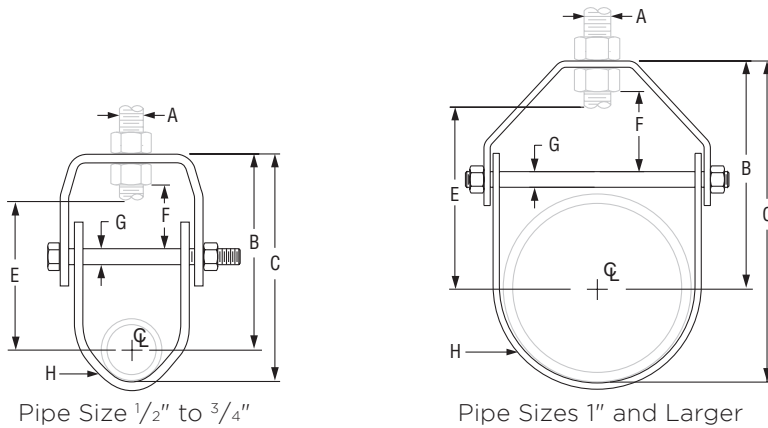
Warranty

See warranty information for more details

All dimensions listed are nominal. MAINLINE® reserves the right to make product and material changes at any time without notice.



Standard Clevis Hanger



Standard Clevis Hanger: Loads (LBS) • Weights (LBS) • Dimensions (IN)

Size	✓ To Submit	Part No. Plain	Part No. Galv.	✓ To Submit	Max Load	Weight	A Rod Size	B	C	E Rod Take Out	F Adjustment	G	H Width Lower
1/2"-3/4"		ML37090	ML37108		610	0.34	3/8	2 ³ / ₁₆ -2	2 ¹¹ / ₁₆	1 ¹ / ₂ -1 ⁵ / ₁₆	5/8	1/4	1
1"		ML37091	ML37109		730	0.35	3/8	2 ⁵ / ₁₆	3	1 ⁵ / ₈	5/8	1/4	1
1 ¹ / ₄ "		ML37092	ML37110		730	0.40	3/8	2 ³ / ₈	3 ¹ / ₄	1 ¹¹ / ₁₆	5/8	1/4	1
1 ¹ / ₂ "		ML37093	ML37111		730	0.45	3/8	2 ¹³ / ₁₆	3 ¹³ / ₁₆	2 ¹ / ₈	7/8	1/4	1
2"		ML37094	ML37112		730	0.50	3/8	3 ⁵ / ₁₆	4 ¹ / ₂	2 ⁵ / ₈	1 ¹ / ₈	1/4	1
2 ¹ / ₂ "		ML37095	ML37113		1,350	0.65	1/2	4 ¹ / ₁₆	5 ¹ / ₂	3 ³ / ₁₆	1 ⁵ / ₁₆	3/8	1
3"		ML37096	ML37114		1,350	0.85	1/2	4 ³ / ₄	6 ¹ / ₂	4 ¹ / ₁₆	1 ⁵ / ₈	3/8	1
3 ¹ / ₂ "		ML37097	ML37115		1,350	1.10	1/2	5 ¹ / ₁₆	7 ¹ / ₁₆	4 ³ / ₁₆	1 ¹³ / ₁₆	3/8	1 ¹ / ₄
4"		ML37098	ML37116		1,430	1.51	5/8	5 ⁹ / ₁₆	7 ¹³ / ₁₆	4 ¹ / ₂	1 ¹¹ / ₁₆	3/8	1 ¹ / ₄
5"		ML37099	ML37117		1,430	1.70	5/8	6 ⁹ / ₁₆	8 ¹⁵ / ₁₆	5 ¹ / ₂	1 ¹⁵ / ₁₆	3/8	1 ³ / ₁₆
6"		ML37100	ML37118		1,940	3.10	3/4	6 ¹⁵ / ₁₆	10 ¹ / ₄	5 ³ / ₄	1 ¹¹ / ₁₆	1/2	1 ⁷ / ₁₆
8"		ML37101	ML37119		2,000	4.75	3/4	8 ³ / ₈	12 ¹¹ / ₁₆	7 ³ / ₁₆	2	1/2	1 ⁷ / ₁₆
10"		ML37102	ML37120		3,600	8.60	7/8	9 ⁷ / ₈	15 ¹ / ₄	8 ⁷ / ₁₆	2 ¹ / ₈	5/8	1 ³ / ₄
12"		ML37103	ML37121		3,800	11.20	7/8	11 ⁹ / ₁₆	17 ¹⁵ / ₁₆	10 ¹ / ₈	2 ¹³ / ₁₆	5/8	2
14"		ML37104	ML37122		4,200	12.50	1	12 ⁹ / ₁₆	19 ⁹ / ₁₆	10 ¹¹ / ₁₆	2 ¹¹ / ₁₆	3/4	2
16"		ML37105	ML37123		4,600	19.85	1	14	22	12	2 ³ / ₄	1	2 ¹ / ₂

All dimensions listed are nominal. MAINLINE® reserves the right to make product and material changes at any time without notice.



Light Duty Clevis Hanger

Product Features

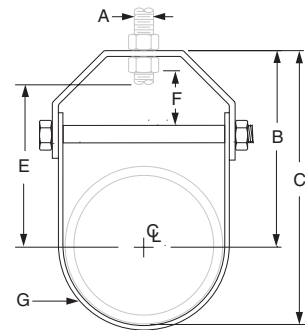
- Size Range: 1/2" through 4"
- Material: Carbon steel
- Finish: Plain or Galvanized
- Maximum Temperature: Plain 650° F, Galvanized 450° F
- Vertical adjustment is provided, varying with the size of clevis. Tighten upper nut after adjustment.
- An economical attachment for light duty service.



Certifications

- Approvals: Complies with Federal Specification WW-H-171-E (Type 12).

Caution: Hanger load nut above clevis must be tightened securely to assure proper hanger performance. When an oversize clevis is used, a pipe spacer or multispace should be placed over clevis bolt to ensure that the lower U-strap will not move in on the bolt.



Light Duty Clevis Hanger: Loads (LBS) • Weights (LBS) • Dimensions (IN)

Size	✓ To Submit	Part No. Plain	Part No. Galv.	✓ To Submit	Max Load	Weight	A Rod Size	B	C	E Rod Take Out	F Adjustment	G Width Lower
1/2"		ML37124	ML37134		150	0.10	3/8	1 ¹¹ / ₁₆	2 ³ / ₃₂	1 ¹ / ₄	7/16	5/8
3/4"		ML37125	ML37135		250	0.17	3/8	1 ⁷ / ₈	2 ¹³ / ₃₂	1 ⁷ / ₁₆	1/2	3/4
1"		ML37126	ML37136		250	0.18	3/8	2 ⁵ / ₃₂	2 ¹³ / ₁₆	1 ¹¹ / ₁₆	5/8	3/4
1 1/4"		ML37127	ML37137		250	0.21	3/8	2 ¹⁷ / ₃₂	3 ³ / ₈	2 ¹ / ₁₆	1 ³ / ₁₆	3/4
1 1/2"		ML37128	ML37138		250	0.24	3/8	2 ¹³ / ₁₆	3 ¹³ / ₁₆	2 ³ / ₈	1 ⁵ / ₁₆	3/4
2"		ML37129	ML37139		250	0.26	3/8	3 ¹¹ / ₃₂	4 ¹⁷ / ₃₂	2 ⁷ / ₈	1 ³ / ₁₆	3/4
2 1/2"		ML37130	ML37140		350	0.50	3/8	3 ²⁷ / ₃₂	5 ⁹ / ₃₂	3 ¹ / ₄	1 ⁵ / ₁₆	3/4
3"		ML37131	ML37141		350	0.59	3/8	4 ¹⁵ / ₃₂	6 ⁷ / ₃₂	3 ⁷ / ₈	1 ⁵ / ₈	3/4
3 1/2"		ML37132	ML37142		350	0.62	3/8	4 ³¹ / ₃₂	6 ³¹ / ₃₂	4 ³ / ₈	1 ⁷ / ₈	3/4
4"		ML37133	ML37143		400	0.77	3/8	5 ¹⁷ / ₃₂	7 ²⁵ / ₃₂	4 ¹⁵ / ₁₆	2 ¹ / ₈	3/4

Warranty

See warranty information for more details

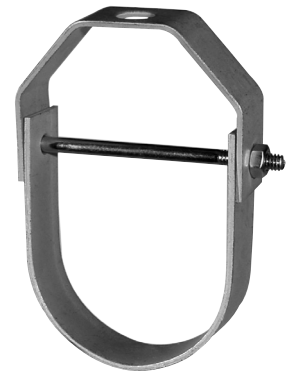
All dimensions listed are nominal. MAINLINE® reserves the right to make product and material changes at any time without notice.



Light Duty Clevis Hanger - Copper

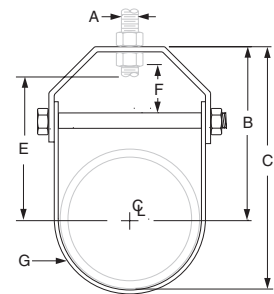
Product Features

- Size Range: 1/2" through 4"
- Material: Carbon steel
- Finish: Copper plated
- Installation: Adjustment may be made either before or after tubing is in place without temporary support of pipe. Hanger rod and nuts may be locked into position after adjustment by use of the upper nut.
- Provides for adjustment up to 1 7/8".



Certifications

- Approvals: Complies with Federal Specification WW-H-171-E (Type 12).



Light Duty Clevis Hanger - Copper: Loads (LBS) • Weights (LBS) • Dimensions (IN)

Tube Size	✓ To Submit	Part No.	Max Load	Weight	A Rod Size	B	C	E Rod Take Out	F Adjustment	G Width Lower
1/2"		ML37144	150	0.09	3/8	1 1/2	1 27/32	1 1/16	5/16	5/8
3/4"		ML37145	150	0.10	3/8	1 11/16	2 3/32	1 1/4	7/16	3/4
1"		ML37146	250	0.17	3/8	1 7/8	2 13/32	1 7/16	1/2	3/4
1 1/4"		ML37147	250	0.18	3/8	2 5/32	2 13/16	1 11/16	5/8	3/4
1 1/2"		ML37148	250	0.21	3/8	2 17/32	3 3/8	2 1/16	13/16	3/4
2"		ML37149	250	0.26	3/8	3 11/32	4 17/32	2 7/8	1 3/16	3/4
2 1/2"		ML37150	350	0.48	3/8	3 27/32	5 9/32	3 1/4	1 5/16	3/4
3"		ML37151	350	0.55	3/8	4 15/32	6 7/32	3 7/8	1 5/8	3/4
4"		ML37152	400	0.60	3/8	4 31/32	6 31/32	4 3/8	1 7/8	3/4

Warranty

See warranty information for more details

All dimensions listed are nominal. MAINLINE® reserves the right to make product and material changes at any time without notice.

