

4

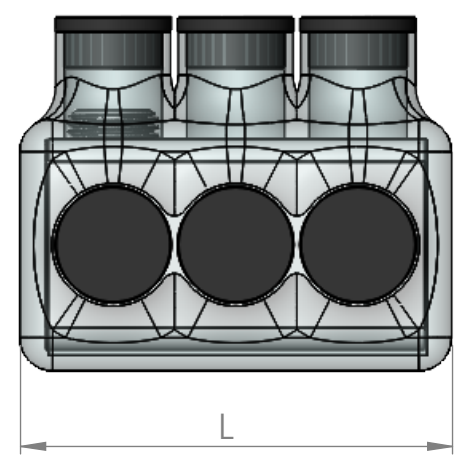
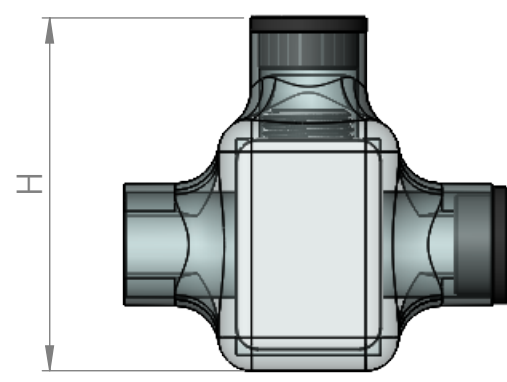
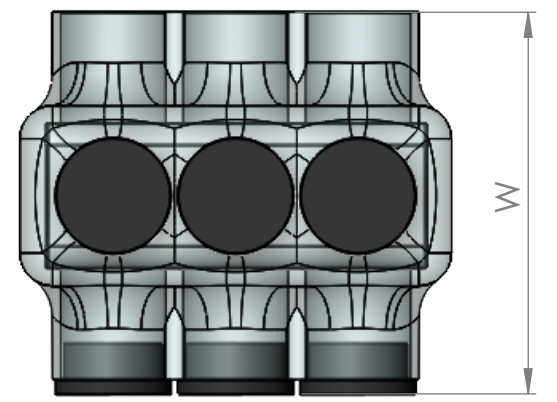
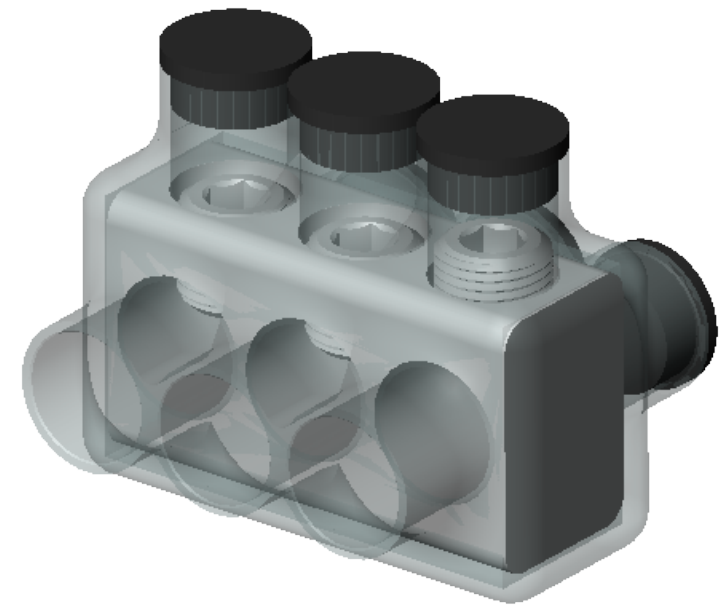
3

2

1

REVISIONS

ZONE	REV.	DESCRIPTION	DATE	APPROVED
------	------	-------------	------	----------



CAT. NO.	NO. OF PORT	WIRE RANGE	COPPER CONDUCTOR R MAX.	ALUMINUM CONDUCTOR MAX. AMPS	LENGTH (L) (IN.)	WIDTH (W) (IN.)	HEIGHT (H) (IN.)	MAX. TORQUE VALUE	HEX/WRENCH SIZE (IN.)	STD. CTN. QTY.
IPL4-3C	3	4-14 AWG	-	-	1.550	1.188	1.375	45	Slotted	12
IPL4-3AC	3	4-14 AWG	-	-	1.550	1.188	1.375	45	1/8	12
IPL4-4C	4	4-14 AWG	-	-	1.970	1.188	1.375	45	Slotted	6
IPL4-4AC	4	4-14 AWG	-	-	1.970	1.188	1.375	45	1/8	3
IPL4-5C	5	4-14 AWG	-	-	2.390	1.188	1.375	45	Slotted	3
IPL4-6	6	4-14 AWG	-	-	2.810	1.188	1.375	45	Slotted	3
IPL1/0-3C	3	1/0-14 AWG	-	-	2.240	1.688	1.688	180	3/16	6
IPL1/0-4C	4	1/0-14 AWG	-	-	2.890	1.688	1.688	180	3/16	3
IPL3/0-3C	3	3/0-6 AWG	-	-	2.630	1.800	1.800	250	5/16	2
IPL3/0-4C	4	3/0-6 AWG	-	-	3.410	1.800	1.800	250	5/16	4
IPL250-3	3	250 MCM-6 AWG	-	-	2.930	2.030	2.180	360	5/16	3
IPL250-4	4	251 MCM-6 AWG	527A	410A	3.800	2.030	2.180	360	5/16	2
IPL350-3	3	350 MCM 6 AWG	-	-	3.470	2.130	2.460	400	5/16	3
IPL500-3	3	500 MCM - 4 AWG	-	-	3.960	2.500	2.940	450	5/16	2
IPL500-4	4	500 MCM - 4 AWG	806A	806A	5.110	2.500	2.940	450	5/16	3



PROPRIETARY AND CONFIDENTIAL		NAME	DATE
<small>THE INFORMATION CONTAINED IN THIS DRAWING IS THE SOLE PROPERTY OF NSI Industries. ANY REPRODUCTION IN PART OR AS A WHOLE WITHOUT THE WRITTEN PERMISSION OF NSI Industries IS PROHIBITED.</small>	DRAWN	DR	1/19
	CHECKED	GW	1/19
	ENG APPR.		
	MFG APPR.		
	Q.A.		
<small>INTERPRET GEOMETRIC TOLERANCING PER: +/- .001</small>		<small>COMMENTS: TO ORDER NSI PRODUCTS CALL UNITED STATES (704) 439-2420 FOR PRODUCT INFO: www.nsiindustries.com</small>	
MATERIAL			
FINISH			
DIMENSIONS ARE IN INCHES			



TITLE: Pre-Insulated Connectors IPL Series: IPL4-3C		
SIZE B	DWG. NO. IPLC Product Family	REV A
SCALE: 0.75/1	SW 2019	SHEET 1 OF 1

4

3

2

1