

# AMERICAN FITTINGS

## 2-1/2" to 4" Connectors Set Screw UL Rated & Listed for Dual Use on EMT & Rigid/IMC Conduit



Since 1946

ERS Series: 2 1/2" to 4" Trade Sizes  
EMT & Rigid/IMC Conduit Dual Rated Set Screw Fittings  
UL Listed & UL Approved Dual Use on EMT & Rigid/IMC Conduit

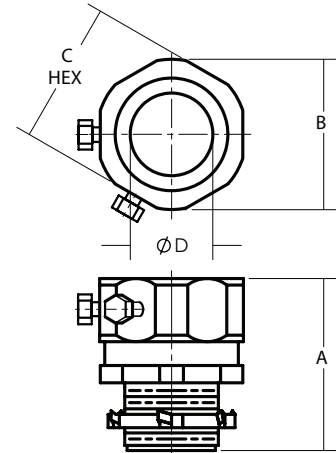
This Product Replaces 2-1/2" to 4" SS and SNT Series Fittings

Alloy Steel Construction Precision Machined  
Zinc Plated with Clear Chromate Finish  
Features: AMFICO's **EZ Torque** Combo-Hex/Slot Screws  
Furnished with an Industrial Grade Steel Locknut

**Twice the Strength and Brinell Hardness  
of Malleable Iron Fittings  
with 1/3 the Weight  
Greatly Reduces Hanging Loads**

**Improves Installation Time**

**Unique Low Profile Design  
Allows Greater Installation Space  
Conforms to Conduit OD**



Trade Size"	Cat #	Configuration	Box Qty.	Weight Each lbs	NAED UPC
2 1/2	ERS250BCONN	Set Screw Connector w/Insul Throat	6	1.2	66236419204
2 1/2	ERS250CONN	Set Screw Connector	6	1.2	66236419200
3	ERS300BCONN	Set Screw Connector w/Insul Throat	6	1.7	66236419205
3	ERS300CONN	Set Screw Connector	6	1.7	66236419201
3 1/2	ERS350BCONN	Set Screw Connector w/Insul Throat	6	2.0	66236419206
3 1/2	ERS350CONN	Set Screw Connector	3	2.0	66236419202
4	ERS400BCONN	Set Screw Connector w/Insul Throat	3	2.4	66236419207
4	ERS400CONN	Set Screw Connector	3	2.4	66236419203

### Compliances:

Certified Made in the USA  
UL 514B  
Set Screw Fittings UL Rated Concrete Tight When Taped  
NEMA Standard FB1  
Federal Standard A-A-50553  
UL Standards: 514B, 467  
Certified for MIL-STD 810 Sinusoidal Vibrations  
CSA Standard: C22.2 No. 18F  
RoHS Compliant  
REACH Compliant  
CA Prop 65 Compliant  
UNSPSC 39121434



### Available Options:

Insulated Throat - (Shown Above "B")  
Galvanized Plating \*\*  
Painted Fittings Color Coded \*\*

### Dimensions

Size	A	B	C	D
2-1/2"	2-3/8"	3-7/16"	3-1/4"	2-7/16"
3"	2-7/16"	4"	3-15/16"	3"
3-1/2"	2-7/16"	4-9/16"	4-7/16"	3-1/2"
4"	2-7/16"	5-1/8"	4-15/16"	3-15/16"

Hex Set Screw Recommended Torque 160-200 in-lb

\*\* Consult Factory for Specifics

Page

# AMERICAN FITTINGS

## 2-1/2" to 4" Couplings Set Screw UL Rated & Listed for Dual Use on EMT & Rigid/IMC Conduit



Since 1946

ERS Series: 2 1/2" to 4" Trade Sizes  
EMT & Rigid/IMC Conduit Dual Rated Set Screw Fittings  
UL Listed & UL Approved Dual Use on EMT & Rigid/IMC Conduit

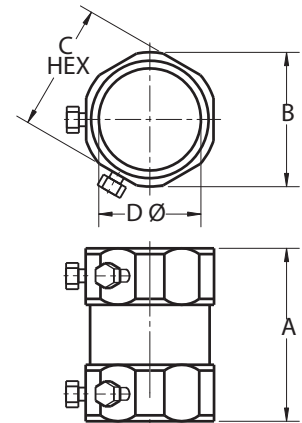
This Product Replaces 2-1/2" to 4" EC and NT Series Fittings

Alloy Steel Construction Precision Machined  
Zinc Plated with Clear Chromate Finish  
Features: AMFICO's **EZ Torque** Combo-Hex/Slot Screws

*Twice the Strength and Brinell Hardness  
of Malleable Iron Fittings  
with 1/3 the Weight  
Greatly Reduces Hanging Loads*

*Improves Installation Time*

*Unique Low Profile Design  
Allows Greater Installation Space  
Conforms to Conduit OD*



Trade Size"	Cat #	Configuration	Box Qty.	Weight Each lbs	NAED UPC
2 1/2	ERS250CPLG	Set Screw Coupling	5	1.1	66236419216
3	ERS300CPLG	Set Screw Coupling	3	1.3	66236419217
3 1/2	ERS350CPLG	Set Screw Coupling	2	1.6	66236419218
4	ERS400CPLG	Set Screw Coupling	2	1.7	66236419219

### Compliances:

Certified Made in the USA  
UL 514B  
Set Screw Fittings UL Rated Concrete Tight When Taped  
NEMA Standard FB1  
Federal Standard A-A-50553  
UL Standards: 514B, 467  
Certified for MIL-STD 810 Sinusoidal Vibrations  
CSA Standard: C22.2 No. 18F  
RoHS Compliant  
REACH Compliant  
CA Prop 65 Compliant  
UNSPSC 39131707



### Available Options:

\* Galvanized Plating \*\*  
Painted Fittings Color Coded \*\*

### Dimensions

Size	A	B	C	D
2-1/2"	2-9/16"	3-7/16"	3-1/4"	2-13/16"
3"	2-5/8"	4"	3-15/16"	3-7/16"
3-1/2"	2-5/8"	4-9/16"	4-7/16"	3-15/16"
4"	2-5/8"	5-1/8"	4-15/16"	4-7/16"

Hex Set Screw Recommended Torque 160-200 in-lb

\*\* Consult Factory for Specifics

Page