



Fittings

For Husky Ladder, Husky Trough & Husky Way

Numbering System.....	Pgs. 113-116
Horizontal Crosses & Tees.....	Pgs. 117-124
Horizontal Bends	Pgs. 125-126
Vertical Bends	Pgs. 127-130
Vertical Supports & Tees.....	Pgs. 131-132
Reducers	Pg. 133
Reducing Splice Plates.....	Pg. 134



Numbering System



Example Fitting for S6YD, S9YD, S12YD

SLYD-24H90-24				
Prefix	Basic Part Number			
SLYD-	24	H	90-	24
Tray Fitting Prefix Prefix Determined By Chart Below and Based on Straight Tray Prefix	Tray Width 6", 9", 12", 18", 24", 30", 36"	Bend H=Horizontal VI=Vertical Inside VO=Vertical Outside T=Tee VT=Vertical Tee VTU=Upside-Down Vert. Tee VS=Vertical Support 90° X=Cross R=Straight Reducer RL=Left Hand Reducer RR=Right Hand Reducer	Degree of Bend 30°, 45°, 60°, or 90°	Fitting Radius 12", 24" or 36"

To Determine Fitting Catalog Number (Prefix + Basic Part Number):

1. Select prefix of type of Cable Tray required for your application from Catalog pages below:

Aluminum		Steel	
Flange-In Ladder	Page 113	Flange-In Ladder	Page 115-116
Flange-Out Ladder	Page 113	Flange-Out Ladder	Page 115-116
I-Beam Ladder	Page 113	Trough	Page 115-116
Husky Way	Page 113	Husky Way	Page 116
Trough	Page 114	EMI	Page 116
I-Beam Trough	Page 114		

2. Use selected Cable Tray prefix in the Fitting Prefix Selection Tables below to select the corresponding fitting prefix.
3. Go to Pages 117-134 in this section to find the desired fittings and select the Basic Part Numbers that correspond to the required fittings.
4. Add fitting prefix to basic part numbers to complete product catalog numbers (example above).

A L U M I N U M Fitting Prefix Selection Table

Husky Ladder - Flange-In			Husky Ladder - Flange-Out			Husky I-Beam Ladder		
Rail Height	Straight Tray	Fitting Prefix	Rail Height	Straight Tray	Fitting Prefix	Rail Height	Straight Tray	Fitting Prefix
4-1/2"	A6JA, A9JA, A12JA	ALJA				4-1/2"A	A6IJA, A9IJA, A12IJA	ALIJA
4-1/2"	A6JB, A9JB, A12JB	ALJB	4-1/2"	A9BB, A12BB, A18BB	ALBB	4-1/2"	A6IJB, A9IJB, A12IJB	ALIJB
4-1/2"	A6YA2, A9YA2, A12YA2	ALYA2	4-1/2"	A9CA2, A12CA2, A18CA2	ALCA2	4-1/2"	A6IJC, A9IJC, A12IJC	ALIJC
6"	A6MB1, A9MB1, A12MB1	ALMB1	6"	A6PB1, A9PB1, A12PB1	ALPB1	4-1/2"	A6IYA, A9IYA, A12IYA	ALIYA
6"	A6MC, A9MC, A12MC	ALMC	6"	A9PC, A12PC, A18PC	ALPC	4-1/2"	A6IYB, A9IYB, A12IYB	ALIYB
6"	A6XA, A9XA, A12XA	ALX	6"	A9EA, A12EA, A18EA	ALE	4-1/2"	A6IYC, A9IYC, A12IYC	ALIYC
6"	A6X, A9X, A12X	ALX	6"	A9E, A12E, A18E	ALE	6"	A6IMB, A9IMB, A12IMB	ALIMB
6"	A6X1, A9X1, A12X1	ALX	6"	A9E1, A12E1, A18E1	ALE	6"	A6IMC, A9IMC, A12IMC	ALIMC
6"	A9X1M, A12X1M, A18X1M	ALX1M	6"	A9E1M, A12E1M, A18E1M	ALE1M	6"	A6IMD, A9IMD, A12IMD	ALIMD
7"	A6X7, A9X7, A12X7	ALX7	7"	A9E7, A12E7, A18E7	ALE7	6"	A6IXA, A9IXA, A12IXA	ALIXA
7"	A6X71, A9X71, A12X71	ALX7	7"	A9E71, A12E71, A18E71	ALE7	6"	A6IXB, A9IXB, A12IXB	ALIXB
8"	A6L1, A9L1, A12L1	ALL1				6"	A6IXC, A9IXC, A12IXC	ALIXC
10"	A6D1, A9D1, A12D1	ALD1				6"	A6IXD, A9IXD, A12IXD	ALIXD
Aluminum Husky Way						6"	A9I6, A12I6, A18I6	ALI6
3-3/8"	ASH6	ASH6				7"	A6IXD7, A9IXD7, A12IXD7	ALIXD7
4"	ASJ6	ASJ6				8"	A9I8, A12I8, A18I8	ALI8
6"	ASM6	ASM6						

10-FITTINGS



Numbering System (cont'd)

A L U M I N U M Fitting Prefix Selection Table							
Aluminum Husky Trough				Aluminum Husky I-Beam Trough			
Rail Height	Straight Tray	Ventilated Fitting Prefix	Solid Fitting Prefix	Rail Height	Straight Tray	Ventilated Fitting Prefix	Solid Fitting Prefix
4-1/2"	AJA/ASJA	AJA	ASJA	4-1/2"	AIJA/ASIJA	AIJA	ASIJA
4-1/2"	A4JA	A4JA		4-1/2"	A4IJA	A4IJA	
4-1/2"	AJB/ASJB	AJB	ASJB	4-1/2"	AIBJ/ASIJB	AIBJ	ASIJB
4-1/2"	A4JB	A4JB		4-1/2"	A4IJB	A4IJA	
4-1/2"	AYA2/ASYA2	AYA2	ASYA2	4-1/2"	AIJC/ASIJC	AIJC	ASIJC
4-1/2"	A4YA2	A4YA2		4-1/2"	A4IJC	A4IJC	
6"	AMB1/ASMB1	AMB1	ASMB1	4-1/2"	AIYA/ASIYA	AIYA	ASIYA
6"	A4MB1	A4MB1		4-1/2"	A4IYA	A4IYA	
6"	AMC/ASMC	AMC	ASMC	4-1/2"	AIYB/ASIYB	AIYB	ASIYB
6"	A4MC	A4MC		4-1/2"	A4IYB	A4IYB	
6"	AXA/ASXA	AX	ASX	4-1/2"	AIYC	AIYC	ASIYC
6"	A4XA	A4X		4-1/2"	A4IYC	A4IYC	
6"	AX/ASX	AX	ASX	6"	AIMB/ASIMB	AIMB	ASIMB
6"	A4X	A4X		6"	A4IMB	A4IMB	
6"	AX1/ASX1	AX	ASX	6"	AIMC/ASIMC	AIMC	ASIMC
6"	A4X1	A4X		6"	A4IMC	A4IMC	
6"	AX1M,ASX1M	AX1M	ASX1M	6"	AIMD/ASIMB	AIMD	ASIMD
6"	A4X1M	A4X1M		6"	A4IMD	A4IMD	
7"	AX7/ASX7	AX7	ASX7	6"	AIXA/ASIXA	AIXA	ASIXA
7"	A4X7	A4X7		6"	A4IXA	A4IXA	
7"	AX71/ASX71	AX7	ASX7	6"	AIXB/ASIXB	AIXB	ASIXB
7"	A4X71	A4X71		6"	A4IXB	A4IXB	
8"	AL1/ASL1	AL1	ASL1	6"	AIXC/ASIXC	AIXC	ASIXC
8"	A4L1	A4L1		6"	A4IXC	A4IXC	
10"	AD1/ASD1	AD1	ASD1	6"	AIXD/ASIXD	AIXD	ASIXD
10"	A4D1	A4D1		6"	A4IXD	A4IXD	
				6"	AI6, ASI6	AI6	ASI6
				6"	A4I6	A4I6	
				7"	AIXD7/ASIXD7	AIXD7	ASIXD7
				7"	A4IXD7	A4IXD7	
				8"	AI8/ASI8	AI8	ASI8
				8"	A4I8	A4I8	

10-FITTINGS

To ensure data available is most current, please visit www.MPHUSKY.com





Numbering System (cont'd)

S T E E L Fitting Prefix Selection Table

Husky Trough				Husky Ladder - Flange-In		Husky Ladder - Flange-Out	
Rail Height	Straight Tray	Ventilated Fitting Prefix	Solid Fitting Prefix	Straight Tray	Fitting Prefix	Straight Tray	Fitting Prefix
3-3/8"	SHA/SSHA	SHA	SSHA	S6HA, S9HA, S12HA	SLHA	————	——
3-3/8"	S4HA	S4HA					
3-3/8"	PHA/PSHA	PHA	PSHA	P6HA, P9HA, P12HA	PLHA	————	——
3-3/8"	P4HA	P4HA					
4"	SJ2/SSJ2	SJ2	SSJ2	S6J2, S9J2, S12J2	SLJ2	S9B2, S12B2, S18B2	SLB2
4"	S4J2	S4J2					
4"	PJ2/PSJ2	PJ2	PSJ2	P6J2, P9J2, P12J2	PLJ2	————	——
4"	P4J2	P4J2					
4-1/2"	SKC/SSKC	SKC	SSKC	S6KC, S9KC, S12KC	SLKC	S9FC, S12FC, S18FC	SLFC
4-1/2"	S4KC	S4KC					
4-1/2"	PKC/PSKC	PKC	PSKC	P6KC, P9KC, P12KC	PLKC	————	——
4-1/2"	P4KC	P4KC					
4-1/2"	SYD/SSYD	SYD	SSYD	S6YD, S9YD, S12YD	SLYD	S9CD, S12CD, S18CD	SLCD
4-1/2"	S4YD	S4YD					
4-1/2"	PYD/PSYD	PYD	PSYD	P6YD, P9YD, P12YD	PLYD	————	——
4-1/2"	P4YD	P4YD					
6"	SM61/SSM61	SM61	SSM61	S6M61, S9M61, S12M61	SLM61	S9P61, S12P61, S18P61	SLP61
6"	S4M61	S4M61					
6"	PM61/PSM	PM61	PSM61	P6M61, P9M61, P12M61	PLM61	————	——
6"	P4M61	P4M61					
6"	SMD4/SSMD4	SMD4	SSMD4	S6MD4, S9MD4, S12MD4	SLMD4	S9PD4, S12PD4, S18PD4	SLPD4
6"	S4MD4	S4MD4					
6"	PMD4/PSMD4	PMD4	PSMD4	P6MD4, P9MD4, P12MD4	PLMD4	————	——
6"	P4MD4	P4MD4					
6-1/4"	SXB/SSXB	SXB	SSXB	S6XB, S9XB, S12XB	SLXB	S9EB, S12EB, S18EB	SLEB
6-1/4"	S4XB	S4XB					
6-1/4"	PXB/PSXB	PXB	PSXB	P6XB, P9XB, P12XB	PLXB	————	——
6-1/4"	P4XB	P4XB					
6-1/4"	SXC/SSXC	SXC	SSXC	S6XC, S9XC, S12XC	SLXC	S9EC, S12EC, S18EC	SLEC
6-1/4"	S4XC	S4XC					
6-1/4"	PXC/PSXC	PXC	PSXC	P6XC, P9XC, P12XC	PLXC	————	——
6-1/4"	P4XC	P4XC					
6-1/4"	SXD/SSXD	SXD	SSXD	S6XD, S9XD, S12XD	SLXD	S9ED, S12ED, S18ED	SLED
6-1/4"	S4XD	S4XD					
6-1/4"	PXD/PSXD	PXD	PSXD	P6XD, P9XD, P12XD	PLXD	————	——
6-1/4"	P4XD	P4XD					

10-FITTINGS

Numbering System (cont'd)

Numbering System

Insert the Fitting Prefix—Each cable tray has a corresponding prefix which is used to determine the complete fitting part number. Use this table to locate the correct prefix. To assemble the part number select prefix and then add Basic number from charts on following pages.

S T E E L Fitting Prefix Selection Table							
Husky Trough				Husky Ladder - Flange-In		Husky Ladder - Flange-Out	
Rail Height	Straight Tray	Ventilated Fitting Prefix	Solid Fitting Prefix	Straight Tray	Fitting Prefix	Straight Tray	Fitting Prefix
7"	SMD7/SSMD7	SMD7	SSMD7	S6MD7, S9MD7, S12MD7	SLMD7	S9PD7, S12PD7, S18PD7	SLPD7
7"	S4MD7	S4MD7					
7"	PMD7/PSMD7	PMD7	PSMD7	P6MD7, P9MD7, P12MD7	PLMD7	—————	———
7"	P4MD7	P4MD7					
7"	SMD74/SSMD74	SMD74	SSMD74	S6MD74, S9MD74, S12MD74	SLMD74	S9PD74, S12PD74, S18PD74	SLPD74
7"	S4MD74	S4MD74					
7"	PMD74/PSMD74	PMD74	PSMD74	P6MD74,P9MD74,P12MD74	PLMD74		
7"	P4MD74	P4MD74					
7"	SXA7/SSXA7	SXA7	SSXA7	S6XA7, S9XA7, S12XA7	SLXA7		
7"	S4XA7	S4XA7					
7"	PXA7/PSXA7	PXA7	PSXA7	P6XA7, P9XA7, P12XA7	PLXA7		
7"	P4XA7	P4XA7					
7"	SXB7/SSXB7	SXB7	SSXB7	S6XB7, S9XB7, S12XB7	SLXB7	S9EB7, S12EB7, S18EB7	SLEB7
7"	S4XB7	S4XB7					
7"	PXB7/PSXB7	PXB7	PSXB7	P6XB7,P9XB7,P12XB7	PLXB7		
7"	P4XB7	P4XB7					
7"	SXC7/SSXC7	SXC7	SSXC7	S6XC7,S9XC7,S12XC7	SLXC7	S9EC7,S12EC7,S18EC7	SLEC7
7"	S4XC7	S4XC7					
7"	PXC7/PSXC7	PXC7	PSXC7	P6XC7,P9XC7,P12XC7	PLXC7		
7"	P4XC7	P4XC7					
7"	SXD7/SSXD7	SXD7	SSXD7	S6XD7, S9XD7, S12XD7	SLXD7		
7"	S4XD7	S4XD7					
7"	PXD7/PSXD7	PXD7	PSXD7	P6XD7, P9XD7, P12XD7	PLXD7		
7"	P4XD7	P4XD7					
Steel Husky Way				Steel EMI Tray			
3-3/8"	PSH0	PSH0					
4"	PSJ0	PSJ0		EM4	EM4		
6"	PSM0	PSM0		EM6	EM6		
3-3/8"	NSH0	NSH0					
4"	NSJ0	NSJ0					
6"	NSM0	NSM0					
3-3/8"	4SH0	4SH0					
4"	4SJ0	4SJ0					
6"	4SM0	4SM0					
3-3/8"	6SH0	6SH0					
4"	6SJ0	6SJ0					
6"	6SM0	6SM0					

10-FITTINGS

To ensure data available is most current, please visit www.MPHUSKY.com

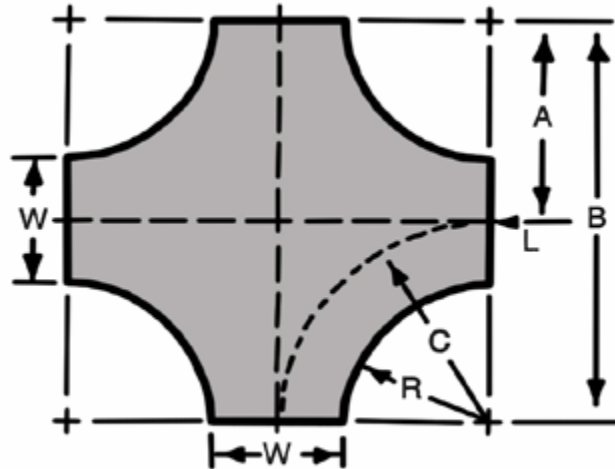
Horizontal Cross

(All Except I6 & I8)

Sample Cross Catalog No.
(Prefix + Basic)

ALBB- 24X-12

Husky Ladder—Flange-Out
24"W x 12"R Horizontal Cross



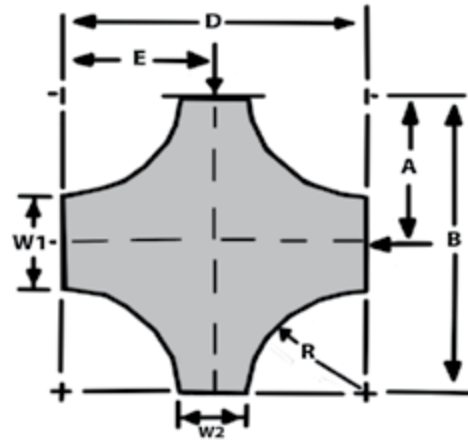
Note: Chart based on standard fittings without tangents. Contact factory for fittings with tangents.

Catalog Number				Fitting Dimensions			
Width	Radius	Prefix	Basic	A	B	C	L
36	36	See Tables on Pages 113-116	36X-36	54"	108"	54"	84-13/16"
	24		36X-24	42"	84"	42"	66"
	12		36X-12	30"	60"	30"	47-1/8"
30	36		30X-36	51"	102"	51"	80-1/8"
	24		30X-24	39"	78"	39"	61-1/4"
	12		30X-12	27"	54"	27"	42-7/16"
24	36		24X-36	48"	96"	48"	75-7/16"
	24		24X-24	36"	72"	36"	59-9/16"
	12		24X-12	24"	48"	24"	37-11/16"
18	36		18X-36	45"	90"	45"	70-11/16"
	24		18X-24	33"	66"	33"	51-13/16"
	12		18X-12	21"	42"	21"	33"
12	36	12X-36	42"	84"	42"	66"	
	24	12X-24	30"	60"	30"	47-1/8"	
	12	12X-12	18"	36"	18"	28-1/4"	
9	36	9X-36	40-1/2"	81"	40-1/2"	63-5/8"	
	24	9X-24	28-1/2"	57"	28-1/2"	44-3/4"	
	12	9X-12	16-1/2"	33"	16-1/2"	25-7/8"	
6	36	6X-36	39"	78"	39"	61-1/4"	
	24	6X-24	27"	54"	27"	42-3/8"	
	12	6X-12	15"	30"	15"	23-9/16"	

10-FITTINGS

Horizontal Reducing Cross

(All Except I6 & I8)



Sample Reducing Cross Catalog No.
(Prefix + Basic)

ALBB- 24X12-12

Husky Ladder—Flange-Out
24"W to 12" W x 12"R Horizontal
Reducing Cross

Note: Chart based on standard fittings without tangents. Contact factory for fittings with tangents.

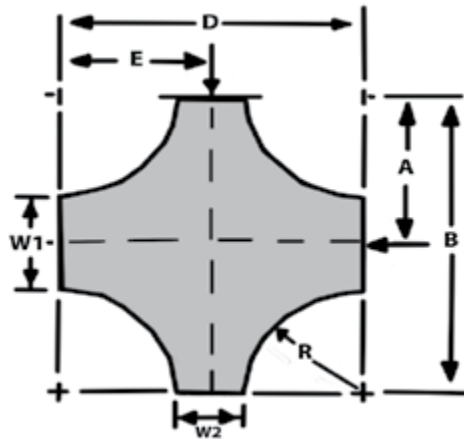
Catalog Number					Fitting Dimensions			
Width 1	Width 2	Radius	Prefix	Basic	A	B	D	E
36	30	36	See Tables on Pages 113-116	36X30-36	54"	108"	102"	51"
		24		36X30-24	42"	84"	78"	39"
		12		36X30-12	30"	60"	54"	27"
36	24	36		36X24-36	54"	108"	96"	48"
		24		36X24-24	42"	84"	72"	36"
		12		36X24-12	30"	60"	48"	24"
36	18	36		36X18-36	54"	108"	90"	45"
		24		36X18-24	42"	84"	66"	33"
		12		36X18-12	30"	60"	42"	21"
36	12	36		36X12-36	54"	108"	84"	42"
		24		36X12-24	42"	84"	60"	30"
		12		36X12-12	30"	60"	36"	18"
36	9	36	36X9-36	54"	108"	81"	40-1/2"	
		24	36X9-24	42"	84"	57"	28-1/2"	
		12	36X9-12	30"	60"	33"	16-1/2"	
36	6	36	36X6-36	54"	108"	78"	39"	
		24	36X6-24	42"	84"	54"	27"	
		12	36X6-12	30"	60"	30"	15"	
30	24	36	30X24-36	51"	102"	96"	48"	
		24	30X24-24	39"	78"	72"	36"	
		12	30X24-12	27"	54"	48"	24"	
30	18	36	30X18-36	51"	102"	90"	42"	
		24	30X18-24	39"	78"	66"	30"	
		12	30X18-12	27"	54"	42"	18"	
30	12	36	30X12-36	51"	102"	84"	45"	
		24	30X12-24	39"	78"	60"	33"	
		12	30X12-12	27"	54"	36"	21"	
30	9	36	30X9-36	51"	102"	81"	40-1/2"	
		24	30X9-24	39"	78"	57"	28-1/2"	
		12	30X9-12	27"	54"	33"	16-1/2"	
30	6	36	30X6-36	51"	102"	78"	39"	
		24	30X6-24	39"	78"	54"	27"	
		12	30X6-12	27"	54"	30"	15"	

10-FITTINGS

Horizontal Reducing Cross

(All Except I6 & I8)

**Sample Reducing Cross Catalog No.
(Prefix + Basic)**



ALBB- 24X12-12

Husky Ladder—Flange-Out
24"W to 12" W x 12"R Horizontal
Reducing Cross

Note: Chart based on standard fittings without tangents. Contact factory for fittings with tangents.

Catalog Number					Fitting Dimensions			
Width 1	Width 2	Radius	Prefix	Basic	A	B	D	E
24	18	36	See Tables on Pages 113-116	24X18-36	48"	96"	90"	45"
		24		24X18-24	36"	72"	66"	33"
		12		24X18-12	24"	48"	42"	21"
24	12	36		24X12-36	48"	96"	84"	42"
		24		24X12-24	36"	72"	60"	30"
		12		24X12-12	24"	48"	36"	18"
24	9	36		24X9-36	48"	96"	81"	40-1/2"
		24		24X9-24	36"	72"	57"	28-1/2"
		12		24X9-12	24"	48"	33"	16-1/2"
24	6	36		24X6-36	48"	96"	78"	39"
		24		24X6-24	36"	72"	54"	27"
		12		24X6-12	24"	48"	30"	15"
18	12	36		18X12-36	45"	90"	84"	42"
		24		18X12-24	33"	66"	60"	30"
		12		18X12-12	21"	42"	36"	18"
18	9	36		18X9-36	45"	90"	81"	40-1/2"
		24		18X9-24	33"	66"	57"	28-1/2"
		12		18X9-12	21"	42"	33"	16-1/2"
18	6	36	18X6-36	45"	90"	78"	39"	
		24	18X6-24	33"	66"	54"	27"	
		12	18X6-12	21"	42"	39"	15"	
12	9	36	12X9-36	42"	84"	81"	40-1/2"	
		24	12X9-24	30"	60"	57"	28-1/2"	
		12	12X9-12	18"	36"	33"	16-1/2"	
12	6	36	12X6-36	42"	84"	78"	39"	
		24	12X6-24	30"	60"	54"	27"	
		12	12X6-12	18"	36"	30"	15"	
9	6	36	9X6-36	40-1/2"	81"	78"	39"	
		24	9X6-24	28-1/2"	57"	54"	27"	
		12	9X6-12	16-1/2"	33"	30"	15"	

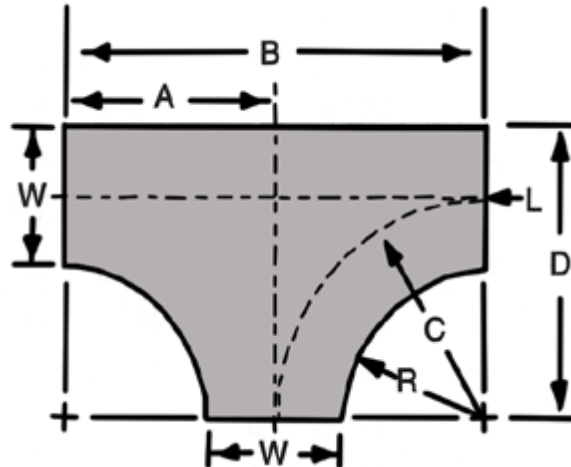
Horizontal Tee

(All Except I6 & I8)

Sample Tee Catalog No.
(Prefix + Basic)

SLHA- 24T-12

Husky Ladder—Flange-In
24"W x 12"R Horizontal Tee



Note: Chart based on standard fittings without tangents. Contact factory for fittings with tangents.

Catalog Number				Fitting Dimensions				
Width	Radius	Prefix	Basic	A	B	C	D	L
36	36	See Tables on Pages 113-116	36T-36	54"	108"	54"	72"	84-13/16"
	24		36T-24	42"	84"	42"	68"	66"
	12		36T-12	30"	60"	30"	48"	47-1/8"
30	36		30T-36	51"	102"	51"	66"	80-1/8"
	24		30T-24	39"	78"	39"	54"	61-1/4"
	12		30T-12	27"	54"	27"	42"	42-7/16"
24	36		24T-36	48"	96"	48"	60"	75-7/16"
	24		24T-24	36"	72"	36"	48"	59-9/16"
	12		24T-12	24"	48"	24"	36"	37-11/16"
18	36		18T-36	45"	90"	45"	54"	70-11/16"
	24		18T-24	33"	66"	33"	42"	51-13/16"
	12		18T-12	21"	42"	21"	30"	33"
12	36	12T-36	42"	84"	42"	48"	66"	
	24	12T-24	30"	60"	30"	36"	47-1/8"	
	12	12T-12	18"	36"	18"	24"	28-1/4"	
9	36	9T-36	40-1/2"	81"	40-1/2"	45"	63-5/8"	
	24	9T-24	28-1/2"	57"	28-1/2"	33"	44-3/4"	
	12	9T-12	16-1/2"	33"	16-1/2"	21"	25-15/16"	
6	36	6T-36	39"	78"	39"	42"	61-1/4"	
	24	6T-24	27"	54"	27"	30"	42-3/8"	
	12	6T-12	15"	30"	15"	18"	23-9/16"	

10-FITTINGS

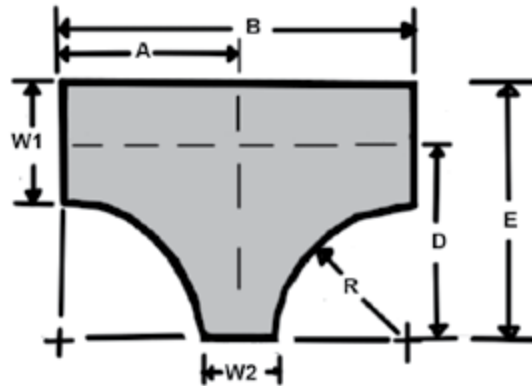
Horizontal Reducing Tee

(All Except I6 & I8)

Sample Reducing Tee Catalog No.
(Prefix + Basic)

SLHA- 24T12-12

Husky Ladder—Flange-In
24"W to 12" W x 12"R Horizontal
Reducing Tee



Note: Chart based on standard fittings without tangents. Contact factory for fittings with tangents.

10-FITTINGS

Catalog Number					Fitting Dimensions			
Width 1	Width 2	Radius	Prefix	Basic	A	B	D	E
36	30	36	See Tables on Pages 113-116	36T30-36	51"	102"	54"	72"
		24		36T30-24	39"	78"	42"	60"
		12		36T30-12	27"	54"	30"	48"
36	24	36		36T24-36	48"	96"	54"	72"
		24		36T24-24	36"	72"	42"	60"
		12		36T24-12	24"	48"	30"	48"
36	18	36		36T18-36	45"	90"	54"	72"
		24		36T18-24	33"	66"	42"	60"
		12		36T18-12	21"	42"	30"	48"
36	12	36		36T12-36	42"	84"	54"	72"
		24		36T12-24	30"	60"	42"	60"
		12		36T12-12	18"	36"	30"	48"
36	9	36	36T9-36	40-1/2"	81"	54"	72"	
		24	36T9-24	28-1/2"	57"	42"	60"	
		12	36T9-12	16-1/2"	33"	30"	48"	
36	6	36	36T6-36	39"	78"	54"	72"	
		24	36T6-24	27"	54"	42"	60"	
		12	36T6-12	15"	30"	30"	48"	
30	24	36	30T24-36	48"	96"	51"	66"	
		24	30T24-24	36"	72"	39"	54"	
		12	30T24-12	24"	48"	27"	42"	
30	18	36	30T18-36	45"	90"	51"	66"	
		24	30T18-24	33"	66"	39"	54"	
		12	30T18-12	21"	42"	27"	42"	
30	12	36	30T12-36	42"	84"	51"	66"	
		24	30T12-24	30"	60"	39"	54"	
		12	30T12-12	18"	36"	27"	42"	
30	9	36	30T9-36	40-1/2"	81"	51"	66"	
		24	30T9-24	28-1/2"	57"	39"	54"	
		12	30T9-12	16-1/2"	33"	27"	42"	
30	6	36	30T6-36	39"	78"	51"	66"	
		24	30T6-24	27"	54"	39"	54"	
		12	30T6-12	15"	30"	27"	42"	

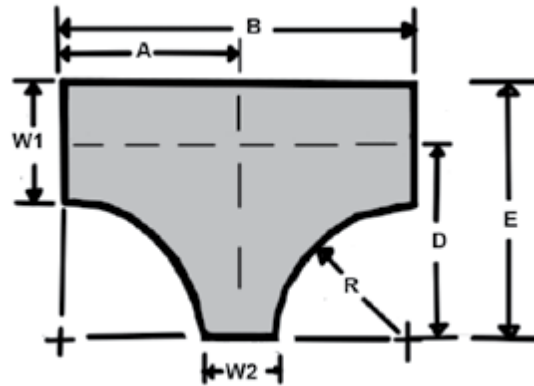
Horizontal Reducing Tee

(All Except I6 & I8)

Sample Reducing Tee Catalog No.
(Prefix + Basic)

SLHA- 24T12-12

Husky Ladder—Flange-In
24"W to 12" W x 12"R Horizontal
Reducing Tee



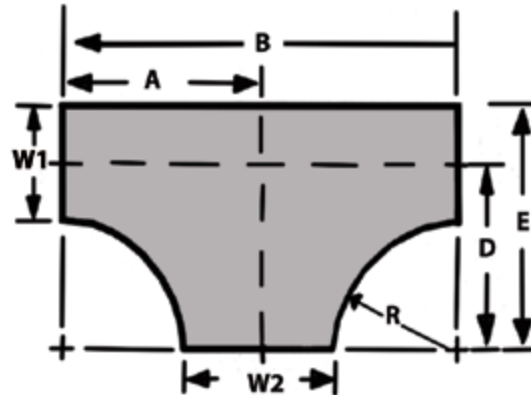
Note: Chart based on standard fittings without tangents. Contact factory for fittings with tangents.

Catalog Number					Fitting Dimensions			
Width 1	Width 2	Radius	Prefix	Basic	A	B	D	E
24	18	36	See Tables on Pages 113-116	24T18-36	45"	90"	48"	60"
		24		24T18-24	33"	66"	36"	48"
		12		24T18-12	21"	42"	24"	36"
24	12	36		24T12-36	42"	84"	48"	60"
		24		24T12-24	30"	60"	36"	48"
		12		24T12-12	18"	36"	24"	36"
24	9	36		24T9-36	40-1/2"	81"	48"	60"
		24		24T9-24	28-1/2"	57"	36"	48"
		12		24T9-12	16-1/2"	33"	24"	36"
24	6	36		24T6-36	39"	78"	48"	60"
		24		24T6-24	27"	54"	36"	48"
		12		24T6-12	15"	30"	24"	36"
18	12	36		18T12-36	42"	84"	45"	54"
		24		18T12-24	30"	60"	33"	42"
		12		18T12-12	18"	36"	21"	30"
18	9	36		18T9-36	40-1/2"	81"	45"	54"
		24		18T9-24	28-1/2"	57"	33"	42"
		12		18T9-12	16-1/2"	33"	21"	30"
18	6	36		18T6-36	39"	78"	45"	54"
		24		18T6-24	27"	54"	33"	42"
		12		18T6-12	15"	30"	21"	30"
12	9	36		12T9-36	40-1/2"	81"	42"	48"
		24		12T9-24	28-1/2"	57"	30"	36"
		12		12T9-12	16-1/2"	33"	18"	24"
12	6	36	12T6-36	39"	78"	42"	48"	
		24	12T6-24	27"	54"	30"	36"	
		12	12T6-12	15"	30"	18"	24"	
9	6	36	9T6-36	39"	78"	40-1/2"	45"	
		24	9T6-24	27"	54"	28-1/2"	33"	
		12	9T6-12	15"	30"	16-1/2"	21"	

10-FITTINGS

Horizontal Enlarging Tee

(All Except I6 & I8)



Sample Enlarging Tee Catalog No.
(Prefix + Basic)

SLHA- 12T24-12

Husky Ladder—Flange-In
12"W to 24" W x 12"R Horizontal
Enlarging Tee

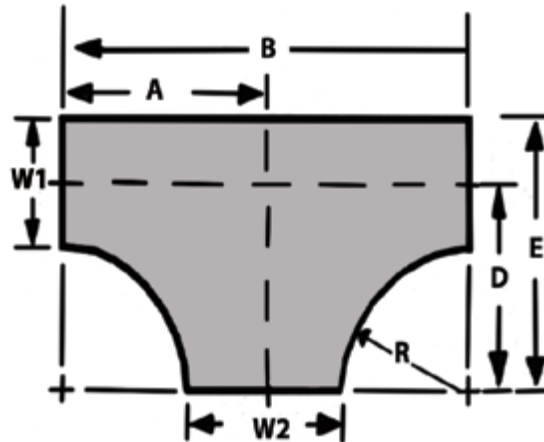
Note: Chart based on standard fittings without tangents. Contact factory for fittings with tangents.

Catalog Number					Fitting Dimensions			
Width 1	Width 2	Radius	Prefix	Basic	A	B	D	E
6	36	36	See Tables on Pages 113-116	6T36-36	54"	108"	39"	42"
		24		6T36-24	42"	84"	27"	30"
		12		6T36-12	30"	60"	15"	18"
6	30	36		6T30-36	51"	102"	39"	42"
		24		6T30-24	39"	78"	27"	30"
		12		6T30-12	27"	54"	15"	18"
6	24	36		6T24-36	48"	96"	39"	42"
		24		6T24-24	36"	72"	27"	30"
		12		6T24-12	24"	48"	15"	18"
6	18	36		6T18-36	45"	90"	39"	42"
		24		6T18-24	33"	66"	27"	30"
		12		6T18-12	21"	42"	15"	18"
6	12	36		6T12-36	42"	84"	39"	42"
		24		6T12-24	30"	60"	27"	30"
		12		6T12-12	18"	36"	15"	18"
6	9	36		6T9-36	40-1/2"	81"	39"	42"
		24		6T9-24	28-1/2"	57"	27"	30"
		12		6T9-12	16-1/2"	33"	15"	18"
9	36	36	9T36-36	54"	108"	40-1/2"	45"	
		24	9T36-24	42"	84"	28-1/2"	33"	
		12	9T36-12	30"	60"	16-1/2"	21"	
9	30	36	9T30-36	51"	102"	40-1/2"	45"	
		24	9T30-24	39"	78"	28-1/2"	33"	
		12	9T30-12	27"	54"	16-1/2"	21"	
9	24	36	9T24-36	48"	96"	40-1/2"	45"	
		24	9T24-24	36"	72"	28-1/2"	33"	
		12	9T24-12	24"	48"	16-1/2"	21"	
9	18	36	9T18-36	45"	90"	40-1/2"	45"	
		24	9T18-24	33"	66"	28-1/2"	33"	
		12	9T18-12	21"	42"	16-1/2"	21"	
9	12	36	9T12-36	42"	84"	40-1/2"	45"	
		24	9T12-24	30"	60"	28-1/2"	33"	
		12	9T12-12	18"	36"	16-1/2"	21"	

10-FITTINGS

Horizontal Enlarging Tee

(All Except I6 & I8)



Sample Enlarging Tee Catalog No.
(Prefix + Basic)

SLHA- 12T24-12

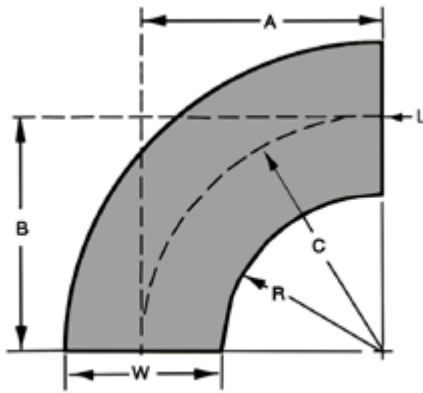
Husky Ladder—Flange-In
12"W to 24" W x 12"R Horizontal En-
larging Tee

Note: Chart based on standard fittings without tangents. Contact factory for fittings with tangents.

Catalog Number					Fitting Dimensions			
Width 1	Width 2	Radius	Prefix	Basic	A	B	D	E
12	36	36	See Tables on Pages 113-116	12T36-36	54"	108"	42"	48"
		24		12T36-24	42"	84"	30"	36"
		12		12T36-12	30"	60"	18"	24"
12	30	36		12T30-36	51"	102"	42"	48"
		24		12T30-24	39"	78"	30"	36"
		12		12T30-12	27"	54"	18"	24"
12	24	36		12T24-36	48"	96"	42"	48"
		24		12T24-24	36"	72"	30"	36"
		12		12T24-12	24"	48"	18"	24"
12	18	36		12T18-36	45"	90"	42"	48"
		24		12T18-24	33"	66"	30"	36"
		12		12T18-12	21"	42"	18"	24"
18	36	36	18T36-36	54"	108"	45"	54"	
		24	18T36-24	42"	84"	33"	42"	
		12	18T36-12	30"	60"	21"	30"	
18	30	36	18T30-36	51"	102"	45"	54"	
		24	18T30-24	39"	78"	33"	42"	
		12	18T30-12	27"	54"	21"	30"	
18	24	36	18T24-36	48"	96"	45"	54"	
		24	18T24-24	36"	72"	33"	42"	
		12	18T24-12	24"	48"	21"	30"	
24	36	36	24T36-36	54"	108"	48"	60"	
		24	24T36-24	42"	84"	36"	48"	
		12	24T36-12	30"	60"	24"	36"	
24	30	36	24T30-36	51"	102"	48"	60"	
		24	24T30-24	39"	78"	36"	48"	
		12	24T30-12	27"	54"	24"	36"	
30	36	36	30T36-36	54"	108"	51"	60"	
		24	30T36-24	42"	84"	39"	48"	
		12	30T36-12	30"	60"	27"	36"	

10-FITTINGS

90° Horizontal Bend (All except I6 & I8)



Sample Catalog No.
(Prefix + Basic)

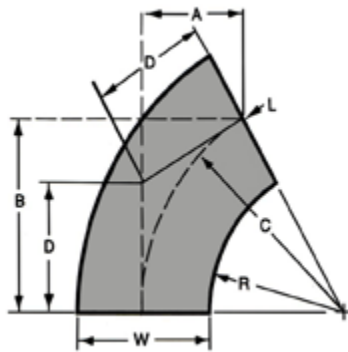
ALYA2- 36H90-24

Husky Ladder—Flange-In
36"W x 24"R
90° Horizontal Bend

Catalog Number				Fitting Dimensions			
Width	Radius	Prefix	Basic	A	B	C	L
36	36	See Tables on Pages 113-116	36H90-36	54"	54"	54"	84-13/16"
	24		36H90-24	42"	42"	42"	66"
	12		36H90-12	30"	30"	30"	47-1/8"
30	36		30H90-36	51"	51"	51"	80-1/8"
	24		30H90-24	39"	39"	39"	61-1/4"
	12		30H90-12	27"	27"	27"	42-7/16"
24	36		24H90-36	48"	48"	48"	75-7/16"
	24		24H90-24	36"	36"	36"	56-9/16"
	12		24H90-12	24"	24"	24"	37-11/16"
18	36		18H90-36	45"	45"	45"	70-11/16"
	24		18H90-24	33"	33"	33"	51-13/16"
	12		18H90-12	21"	21"	21"	33"
12	36	12H90-36	42"	42"	42"	66"	
	24	12H90-24	30"	30"	30"	47-1/8"	
	12	12H90-12	18"	18"	18"	28-1/4"	
9	36	9H90-36	40-1/2"	40-1/2"	40-1/2"	63-5/8"	
	24	9H90-24	28-1/2"	28-1/2"	28-1/2"	44-3/4"	
	12	9H90-12	16-1/2"	16-1/2"	16-1/2"	25-7/8"	
6	36	6H90-36	39"	39"	39"	61-1/4"	
	24	6H90-24	27"	27"	27"	42-3/4"	
	12	6H90-12	15"	15"	15"	23-9/16"	

Note: Chart based on standard fittings without tangents. Contact factory for fittings with tangents.

60° Horizontal Bend (All except I6 & I8)



Sample Catalog No.
(Prefix + Basic)

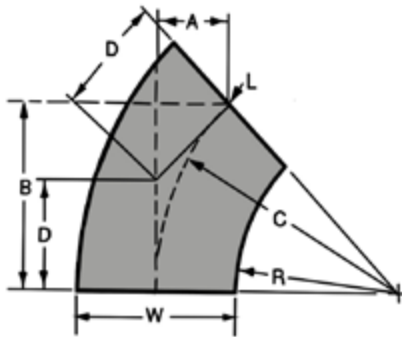
ALE- 36H60-24

Husky Ladder—Flange-Out
36"W x 24"R
60° Horizontal Bend

Catalog Number				Fitting Dimensions				
Width	Radius	Prefix	Basic	A	B	C	D	L
36	36	See Tables on Pages 113-116	36H60-36	27"	46-3/4"	54"	31-3/16"	56-9/16"
	24		36H60-24	21"	36-3/8"	42"	24-1/4"	44"
	12		36H60-12	15"	26"	30"	17-5/16"	31-7/16"
30	36		30H60-36	25-1/2"	44-3/16"	51"	29-7/16"	53-3/8"
	24		30H60-24	19-1/2"	33-3/4"	39"	22-1/2"	40-13/16"
	12		30H60-12	13-1/2"	23-3/8"	27"	15-9/16"	28-1/4"
24	36		24H60-36	24"	41-9/16"	48"	27-11/16"	50-1/4"
	24		24H60-24	18"	31-3/16"	36"	20-13/16"	37-11/16"
	12		24H60-12	12"	20-3/4"	24"	13-7/8"	25-1/8"
18	36		18H60-36	22-1/2"	39"	45"	26"	47-1/8"
	24		18H60-24	16-1/2"	28-9/16"	33"	19-1/16"	34-9/16"
	12		18H60-12	10-1/2"	18-3/16"	21"	12-1/8"	22"
12	36	12H60-36	21"	36-3/8"	42"	24-1/4"	44"	
	24	12H60-24	15"	26"	30"	17-5/16"	31-7/16"	
	12	12H60-12	9"	15-9/16"	18"	10-3/8"	18-7/8"	
9	36	9H60-36	20-1/4"	36-1/16"	40-1/2"	23-3/8"	42-3/8"	
	24	9H60-24	14-1/4"	24-11/16"	28-1/2"	16-7/16"	29-13/16"	
	12	9H60-12	8-1/4"	14-5/16"	16-1/2"	9-1/2"	17-1/4"	
6	36	6H60-36	19-1/2"	33-3/4"	39"	22-1/2"	40-13/16"	
	24	6H60-24	13-1/2"	23-3/8"	27"	15-9/16"	28-1/4"	
	12	6H60-12	7-1/2"	13"	15"	8-11/16"	15-11/16"	

Note: Chart based on standard fittings without tangents. Contact factory for fittings with tangents.

45° Horizontal Bend (All except I6 & I8)



Sample Catalog No.
(Prefix + Basic)

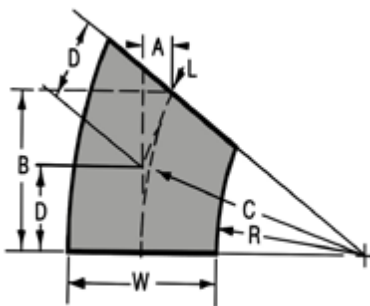
SLM61- 30H45-36

Husky Ladder—Flange-In
30"W x 36"R
45° Horizontal Bend

Note: Chart based on standard fittings without tangents. Contact factory for fittings with tangents.

Catalog Number				Fitting Dimensions				
Width	Radius	Prefix	Basic	A	B	C	D	L
36	36	See Tables on Pages 113-116	36H45-36	15-13/16"	38-3/16"	54"	20-11/16"	42-7/16"
	24		36H45-24	12-5/16"	29-11/16"	42"	17-3/8"	33"
	12		36H45-12	8-7/8"	21-3/16"	30"	12-7/16"	23-9/16"
30	36		30H45-36	14-15/16"	36-1/16"	51"	21-1/8"	40-1/16"
	24		30H45-24	11-7/16"	27-5/8"	39"	16-3/16"	30-5/8"
	12		30H45-12	7-7/8"	19-1/8"	27"	11-3/16"	21-3/16"
24	36		24H45-36	14-1/16"	33-15/16"	48"	19-7/8"	37-11/16"
	24		24H45-24	10-9/16"	25-7/16"	36"	14-15/16"	28-1/4"
	12		24H45-12	7"	17"	24"	9-15/16"	18-7/8"
18	36		18H45-36	13-3/16"	31-13/16"	45"	18-5/8"	35-5/16"
	24		18H45-24	9-11/16"	23-5/16"	33"	13-11/16"	25-15/16"
	12		18H45-12	6-1/8"	14-7/8"	21"	8-11/16"	16-1/2"
12	36	12H45-36	12-5/16"	29-11/16"	42"	17-3/8"	33"	
	24	12H45-24	8-13/16"	21-3/16"	30"	12-7/16"	23-9/16"	
	12	12H45-12	5-1/4"	12-3/4"	18"	7-7/16"	14-1/8"	
9	36	9H45-36	11-7/8"	28-5/8"	40-1/2"	16-3/4"	31-13-16"	
	24	9H45-24	8-3/8"	20-11/16"	28-1/2"	11-13/16"	22-3/8"	
	12	9H45-12	4-13/16"	11-11/16"	16-1/2"	6-13/16"	12-15/16"	
6	36	6H45-36	11-7/16"	27-9/16"	39"	16-1/8"	30-5/8"	
	24	6H45-24	7-15/16"	19-1/16"	27"	11-3/16"	21-3/16"	
	12	6H45-12	4-3/8"	10-5/8"	15"	6-3/16"	11-3/4"	

30° Horizontal Bend (All except I6 & I8)



Sample Catalog No.
(Prefix + Basic)

ALBB- 18H30-24

Husky Ladder—Flange-Out
18"W x 24"R
30° Horizontal Bend

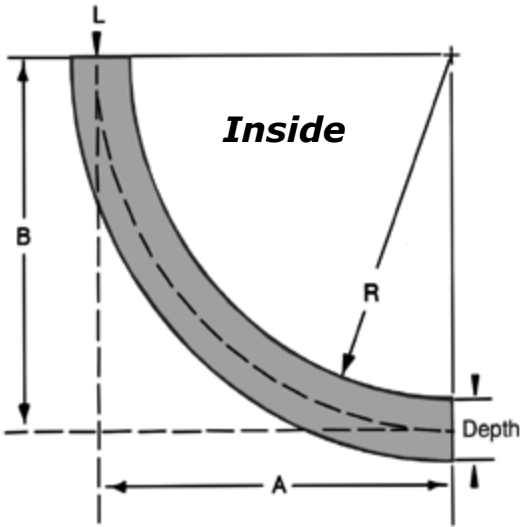
Note: Chart based on standard fittings without tangents. Contact factory for fittings with tangents.

Catalog Number				Fitting Dimensions				
Width	Radius	Prefix	Basic	A	B	C	D	L
36	36	See Tables on Pages 113-116	36H30-36	7-1/4"	27"	54"	14-1/2"	28-1/4"
	24		36H30-24	5-5/8"	21"	42"	11-1/4"	22"
	12		36H30-12	4"	15"	30"	8"	15-11/16"
30	36		30H30-36	6-13/16"	25-1/2"	51"	13-11/16"	26-3/4"
	24		30H30-24	5-1/4"	19-1/2"	39"	10-7/16"	20-7/16"
	12		30H30-12	3-5/8"	13-1/2"	27"	7-1/4"	14-1/8"
24	36		24H30-36	6-7/16"	24"	48"	12-7/8"	25-1/8"
	24		24H30-24	4-13/16"	18"	36"	9-5/8"	18-7/8"
	12		24H30-12	3-3/16"	12"	24"	6-7/16"	12-9/16"
18	36		18H30-36	6"	22-1/2"	45"	12-1/16"	23-9/16"
	24		18H30-24	4-7/16"	16-1/2"	33"	8-13/16"	17-1/4"
	12		18H30-12	2-13/16"	10-1/2"	21"	5-5/8"	11"
12	36	12H30-36	5-5/8"	21"	42"	11-1/4"	22"	
	24	12H30-24	4"	15"	30"	8-1/16"	15-11/16"	
	12	12H30-12	2-7/16"	9"	18"	4-13/16"	9-7/16"	
9	36	9H30-36	5-7/16"	20-1/4"	40-1/2"	10-7/8"	21-1/4"	
	24	9H30-24	3-13/16"	14-1/4"	28-1/2"	7-5/8"	14-7/8"	
	12	9H30-12	2-3/16"	8-1/4"	16-1/2"	4-7/16"	8-5/8"	
6	36	6H30-36	5-1/4"	19-1/2"	39"	10-7/16"	20-7/8"	
	24	6H30-24	3-5/8"	13-1/2"	27"	7-1/4"	14-1/8"	
	12	6H30-12	2"	7-1/2"	15"	4"	7-7/8"	

10-FITTINGS

90° Vertical Bend

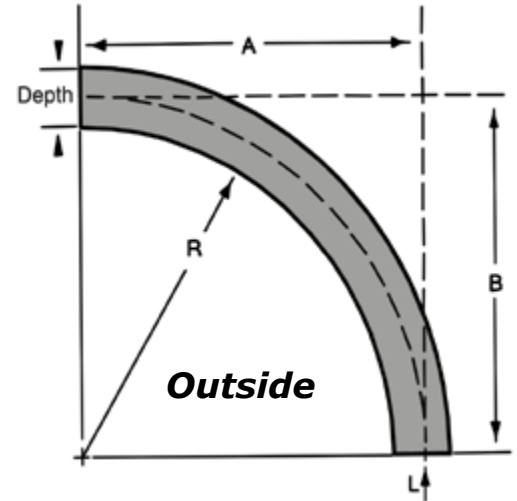
(All except I6 & I8)



Sample Catalog No.
(Prefix + Basic)

PLHA- 9VI90-12

Husky Ladder—Flange-In
9"W x 12"R
90° Vertical Inside Bend



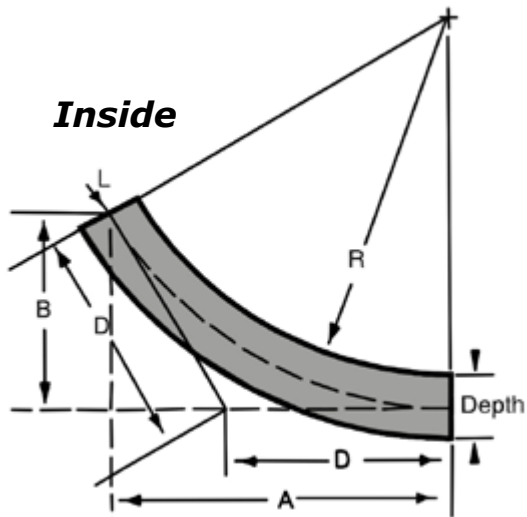
Note: Chart based on standard fittings without tangents. Contact factory for fittings with tangents.

10-FITTINGS

Catalog Number				
Width	Radius	Prefix	Basic VI90	Basic VO90
36	36	See Tables on Pages 113-116	36VI90-36	36VO90-36
	24		36VI90-24	36VO90-24
	12		36VI90-12	36VO90-12
30	36		30VI90-36	30VO90-36
	24		30VI90-24	30VO90-24
	12		30VI90-12	30VO90-12
24	36		24VI90-36	24VO90-36
	24		24VI90-24	24VO90-24
	12		24VI90-12	24VO90-12
18	36		18VI90-36	18VO90-36
	24	18VI90-24	18VO90-24	
	12	18VI90-12	18VO90-12	
12	36	12VI90-36	12VO90-36	
	24	12VI90-24	12VO90-24	
	12	12VI90-12	12VO90-12	
9	36	9VI90-36	9VO90-36	
	24	9VI90-24	9VO90-24	
	12	9VI90-12	9VO90-12	
6	36	6VI90-36	6VO90-36	
	24	6VI90-24	6VO90-24	
	12	6VI90-12	6VO90-12	

Fitting Dimensions				
Radius	R	A	B	L
For All 3-3/8" High Tray				
36"	34-1/2"	36-3/16"	36-3/16"	56-13/16"
24"	22-1/2"	24-3/16"	24-3/16"	38"
12"	11-7/8"	13-9/16"	13-9/16"	21-5/16"
For All 4" High Tray				
36"	34-1/2"	36-1/2"	36-1/2"	57-5/16"
24"	22-1/2"	24-1/2"	24-1/2"	38-1/2"
12"	11-7/8"	13-7/8"	13-7/8"	21-3/4"
For All 4-1/2" High Tray				
36"	34-1/2"	36-3/4"	36-3/4"	57-3/4"
24"	22-1/2"	24-3/4"	24-3/4"	38-7/8"
12"	11-7/8"	14-1/8"	14-1/8"	22-3/16"
For All 6" High Tray				
36"	34-1/2"	37-1/2"	37-1/2"	58-15/16"
24"	22-1/2"	25-1/2"	25-1/2"	40-1/16"
12"	11-7/8"	14-7/8"	14-7/8"	23-3/8"
For All 6-1/4" High Tray				
36"	34-1/2"	37-5/8"	37-5/8"	59-1/8"
24"	22-1/2"	25-5/8"	25-5/8"	40-1/4"
12"	11-7/8"	15"	15"	23-9/16"
For All 7" High Tray				
36"	34-1/2"	38"	38"	59-11/16"
24"	22-1/2"	26"	26"	40-7/8"
12"	11-7/8"	15-3/8"	15-3/8"	24-5/32"
For All 8" High Tray				
36"	34-5/8"	38-5/8"	38-5/8"	60-11/16"
24"	22-1/2"	26-1/2"	26-1/2"	41-5/8"
12"	11-7/8"	15-7/8"	15-7/8"	24-15/16"
For All 10" High Tray				
36"	34-5/8"	39-5/8"	39-5/8"	62-1/4"
24"	22-1/2"	27-1/2"	27-1/2"	43-3/16"
12"	11-7/8"	16-7/8"	16-7/8"	26-1/2"

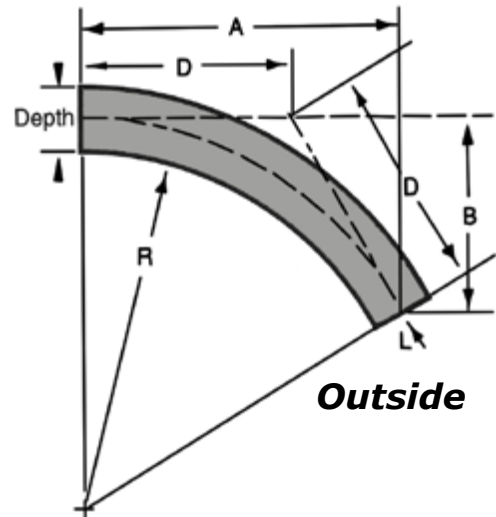
60° Vertical Bend
(All except I6 & I8)



Sample Catalog No.
(Prefix + Basic)

ALMC- 36VI60-36

Husky Ladder—Flange-In
36"W x 36"R
60° Vertical Inside Bend



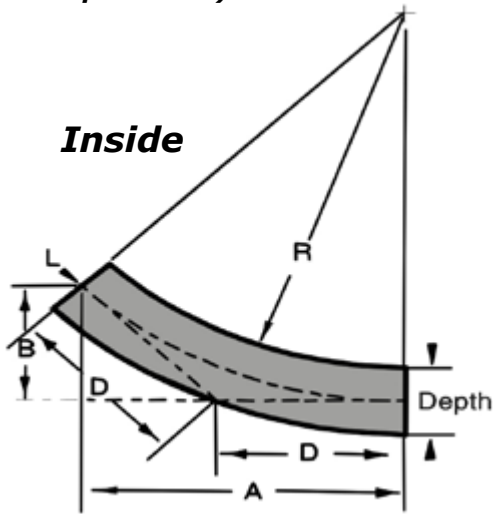
Note: Chart based on standard fittings without tangents. Contact factory for fittings with tangents.

Catalog Number				
Width	Radius	Prefix	Basic VI90	Basic VO90
36	36	See Tables on Pages 113-116	36VI60-36	36VO60-36
	24		36VI60-24	36VO60-24
	12		36VI60-12	36VO60-12
30	36		30VI60-36	30VO60-36
	24		30VI60-24	30VO60-24
	12		30VI60-12	30VO60-12
24	36		24VI60-36	24VO60-36
	24		24VI60-24	24VO60-24
	12		24VI60-12	24VO60-12
18	36		18VI60-36	18VO60-36
	24		18VI60-24	18VO60-24
	12	18VI60-12	18VO60-12	
12	36	12VI60-36	12VO60-36	
	24	12VI60-24	12VO60-24	
	12	12VI60-12	12VO60-12	
9	36	9VI60-36	9VO60-36	
	24	9VI60-24	9VO60-24	
	12	9VI60-12	9VO60-12	
6	36	6VI60-36	6VO60-36	
	24	6VI60-24	6VO60-24	
	12	6VI60-12	6VO60-12	

Fitting Dimensions					
Radius	R	A	B	D	L
For All 3-3/8" High Tray					
36"	34-1/2"	31-5/16"	18-1/16"	37-7/8"	20-7/8"
24"	22-1/2"	20-15/16"	12-1/16"	25-5/16"	13-15/16"
12"	11-7/8"	11-3/4"	6-3/4"	14-3/16"	7-13/16"
For All 4" High Tray					
36"	34-1/2"	31-5/8"	18-1/4"	21-1/16"	38-1/4"
24"	22-1/2"	21-3/16"	12-1/4"	14-1/8"	25-11/16"
12"	11-7/8"	12"	6-15/16"	8"	14-1/2"
For All 4-1/2" High Tray					
36"	34-1/2"	31-13/16"	18-3/8"	21-3/16"	38-1/2"
24"	22-1/2"	21-7/16"	12-3/8"	14-5/16"	25-15/16"
12"	11-7/8"	12-1/4"	7-1/16"	8-1/8"	14-13/16"
For All 6" High Tray					
36"	34-1/2"	32-1/2"	18-3/4"	21-5/8"	39-1/4"
24"	22-1/2"	22-1/16"	12-3/4"	14-3/4"	26-11/16"
12"	11-7/8"	12-7/8"	7-7/16"	8-9/16"	15-9/16"
For All 6-1/4" High Tray					
36"	34-1/2"	32-9/16"	18-13/16"	21-3/4"	39-3/8"
24"	22-1/2"	22-3/16"	12-13/16"	14-13/16"	26-13/16"
12"	11-7/8"	13"	7-1/2"	8-11/16"	15-11/16"
For All 7" High Tray					
36"	34-1/2"	32-15/16"	19"	21-15/16"	39-13/16"
24"	22-1/2"	22-1/2"	13"	15"	27-1/4"
12"	11-7/8"	13-5/16"	7-11/16"	7-7/8"	16-1/8"
For All 8" High Tray					
36"	34-5/8"	33-7/16"	19-5/16"	22-5/16"	40-7/16"
24"	22-1/2"	22-15/16"	13-1/16"	15-5/16"	27-3/4"
12"	11-7/8"	13-3/4"	7-15/16"	9-5/32"	16-5/8"
For All 10" High Tray					
36"	34-5/8"	34-5/16"	19-13/16"	22-7/8"	41-1/2"
24"	22-1/2"	23-13/16"	13-3/4"	15-7/8"	28-13/16"
12"	11-7/8"	15-5/8"	8-7/16"	9-3/4"	17-11/16"

10-FITTINGS

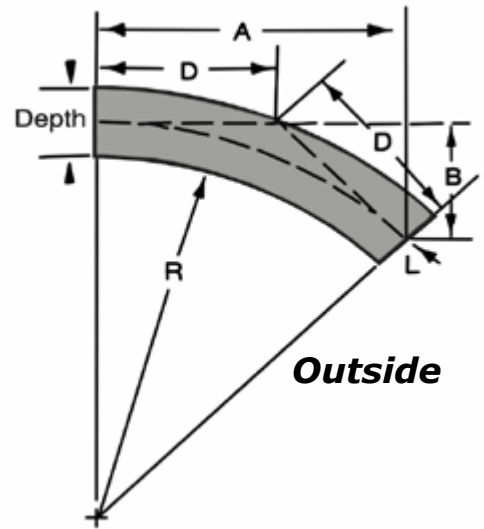
45° Vertical Bend (All except I6 & I8)



Sample Catalog No.
(Prefix + Basic)

PLHA- 6VI45-24

Husky Ladder—Flange-In
6"W x 24"R
45° Vertical Inside Bend



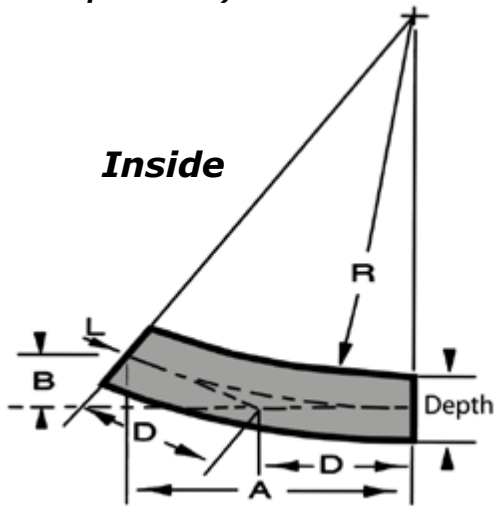
Note: Chart based on standard fittings without tangents. Contact factory for fittings with tangents.

10-FITTINGS

Catalog Number				
Width	Radius	Prefix	Basic VI90	Basic VO90
36	36	See Tables on Pages 113-116	36VI45-36	36VO45-36
	24		36VI45-24	36VO45-24
	12		36VI45-12	36VO45-12
30	36		30VI45-36	30VO45-36
	24		30VI45-24	30VO45-24
	12		30VI45-12	30VO45-12
24	36		24VI45-36	24VO45-36
	24		24VI45-24	24VO45-24
	12		24VI45-12	24VO45-12
18	36		18VI45-36	18VO45-36
	24	18VI45-24	18VO45-24	
	12	18VI45-12	18VO45-12	
12	36	12VI45-36	12VO45-36	
	24	12VI45-24	12VO45-24	
	12	12VI45-12	12VO45-12	
9	36	9VI45-36	9VO45-36	
	24	9VI45-24	9VO45-24	
	12	9VI45-12	9VO45-12	
6	36	6VI45-36	6VO45-36	
	24	6VI45-24	6VO45-24	
	12	6VI45-12	6VO45-12	

Fitting Dimensions					
Radius	R	A	B	D	L
For All 3-3/8" High Tray					
36"	34-1/2"	25-9/16"	10-5/8"	28-7/16"	15"
24"	22-1/2"	17"	7-3/16"	19"	10"
12"	11-7/8"	9-9/16"	4"	10-5/8"	5-5/8"
For All 4" High Tray					
36"	34-1/2"	25-3/16"	10-11/16"	15-1/8"	28-11/16"
24"	22-1/2"	17-5/16"	7-3/16"	10-1/8"	19-1/4"
12"	11-7/8"	9-13/16"	4-1/16"	5-3/4"	10-7/8"
For All 4-1/2" High Tray					
36"	34-1/2"	26"	10-3/4"	15-1/4"	28-7/8"
24"	22-1/2"	17-1/2"	7-1/4"	10-1/4"	19-7/16"
12"	11-7/8"	10"	4-1/8"	5-7/8"	11-1/8"
For All 6" High Tray					
36"	34-1/2"	26-1/2"	11"	15-9/16"	29-7/16"
24"	22-1/2"	18"	7-1/2"	10-9/16"	20"
12"	11-7/8"	10-1/2"	4-3/8"	6-3/16"	11-11/16"
For All 6-1/4" High Tray					
36"	34-1/2"	26-5/8"	11"	15-9/16"	29-9/16"
24"	22-1/2"	18-1/8"	7-1/2"	10-5/8"	20-1/8"
12"	11-7/8"	10-5/8"	4-3/8"	6-3/16"	11-3/4"
For All 7" High Tray					
36"	34-1/2"	26-7/8"	11-1/8"	15-3/4"	29-13/16"
24"	22-1/2"	18-3/8"	7-5/8"	10-3/4"	20-7/16"
12"	11-7/8"	10-7/8"	4-1/2"	6-3/8"	12-1/16"
For All 8" High Tray					
36"	34-1/2"	27-5/16"	11-5/16"	16"	30-5/16"
24"	22-1/2"	18-3/4"	7-3/4"	10-31/32"	20-13/16"
12"	11-7/8"	11-7/32"	4-21/32"	6-9/16"	12-15/32"
For All 10" High Tray					
36"	34-1/2"	28-1/32"	11-19/32"	16-13/32"	31-1/8"
24"	22-1/2"	19-7/16"	8-1/16"	11-13/32"	21-19/32"
12"	11-7/8"	11-15/16"	4-15/16"	7"	13-1/4"

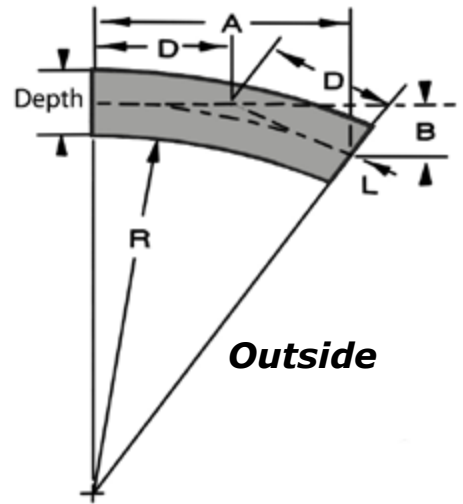
30° Vertical Bend (All except I6 & I8)



Sample Catalog No.
(Prefix + Basic)

ALBB- 24VI30-24

Husky Ladder—Flange-Out
24"W x 24"R
30° Vertical Inside Bend



Note: Chart based on standard fittings without tangents. Contact factory for fittings with tangents.

Catalog Number				
Width	Radius	Prefix	Basic VI90	Basic VO90
36	36	See Tables on Pages 113-116	36VI30-36	36VO30-36
	24		36VI30-24	36VO30-24
	12		36VI30-12	36VO30-12
30	36		30VI30-36	30VO30-36
	24		30VI30-24	30VO30-24
	12		30VI30-12	30VO30-12
24	36		24VI30-36	24VO30-36
	24		24VI30-24	24VO30-24
	12		24VI30-12	24VO30-12
18	36		18VI30-36	18VO30-36
	24		18VI30-24	18VO30-24
	12		18VI30-12	18VO30-12
12	36	12VI30-36	12VO30-36	
	24	12VI30-24	12VO30-24	
	12	12VI30-12	12VO30-12	
9	36	9VI30-36	9VO30-36	
	24	9VI30-24	9VO30-24	
	12	9VI30-12	9VO30-12	
6	36	6VI30-36	6VO30-36	
	24	6VI30-24	6VO30-24	
	12	6VI30-12	6VO30-12	

Fitting Dimensions					
Radius	R	A	B	D	L
For All 3-3/8" High Tray					
36"	34-1/2"	18-1/16"	4-7/8"	18-15/16"	9-11/16"
24"	22-1/2"	12-1/16"	3-1/4"	12-11/16"	6-1/2"
12"	11-7/8"	6-3/4"	1-13/16"	7-1/8"	3-5/8"
For All 4" High Tray					
36"	34-1/2"	18-1/4"	4-7/8"	9-3/4"	19-1/8"
24"	22-1/2"	12-1/4"	3-15/16"	6-9/16"	12-13/16"
12"	11-7/8"	6-15/16"	1-7/8"	3-11/16"	7-1/4"
For All 4-1/2" High Tray					
36"	34-1/2"	18-3/8"	4-15/16"	9-7/8"	19-1/4"
24"	22-1/2"	12-3/8"	3-5/16"	6-5/8"	12-15/16"
12"	11-7/8"	7-1/16"	1-7/8"	3-13/16"	7-3/8"
For All 6" High Tray					
36"	34-1/2"	18-3/4"	5"	10-1/16"	19-5/8"
24"	22-1/2"	12-3/4"	3-7/16"	6-13/16"	13-5/16"
12"	11-7/8"	7-7/16"	2"	4"	7-3/4"
For All 6-1/4" High Tray					
36"	34-1/2"	18-13/16"	5-1/16"	10-1/16"	19-11/16"
24"	22-1/2"	12-13/16"	3-7/16"	6-7/8"	13-7/16"
12"	11-7/8"	7-1/2"	2"	4"	7-13/16"
For All 7" High Tray					
36"	34-1/2"	19"	5-1/8"	10-3/16"	19-7/8"
24"	22-1/2"	13"	3-1/2"	7"	13-5/8"
12"	11-7/8"	7-11/16"	2-1/16"	4-1/8"	8-1/16"
For All 8" High Tray					
36"	34-1/2"	19-5/16"	5-3/16"	10-11/32"	20-1/4"
24"	22-1/2"	13-1/4"	3-9/16"	7-3/32"	13-7/8"
12"	11-7/8"	7-15/16"	2-1/8"	4-1/4"	8-5/16"
For All 10" High Tray					
36"	34-1/2"	19-13/16"	5-5/16"	10-5/8"	20-3/4"
24"	22-1/2"	13-3/4"	3-11/16"	7-3/8"	14-3/8"
12"	11-7/8"	8-7/16"	2-1/4"	4-17/32"	8-13/16"

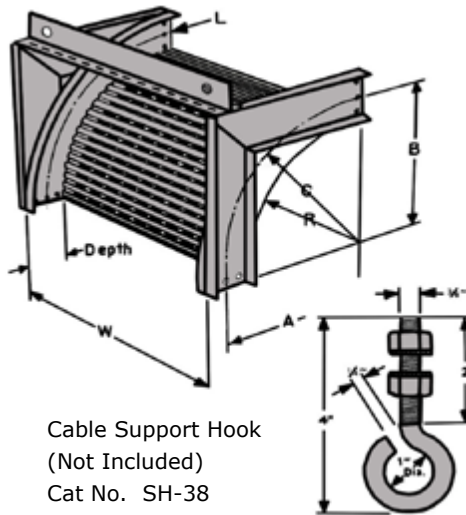
10-FITTINGS

Vertical Cable Supports (All except 16 & 18)

Sample Catalog No.
(Prefix + Basic)

ALMC- 36VS-36

Husky Ladder Flange-In
36"W x 36"R
Vertical Cable Supports



Cable Support Hook
(Not Included)
Cat No. SH-38

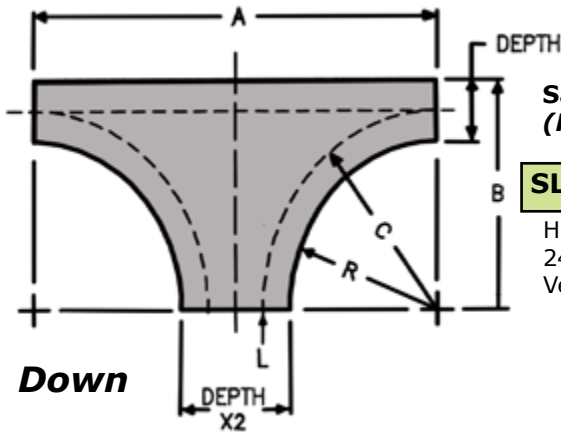
Note: Chart based on standard fittings without tangents. Contact factory for fittings with tangents.

10-FITTINGS

Catalog Number			
Width	Radius	Prefix	Basic
36	36	See Tables on Pages 113-116	36VS-36
	24		36VS-24
	12		36VS-12
30	36		30VS-36
	24		30VS-24
	12		30VS-12
24	36		24VS-36
	24		24VS-24
	12		24VS-12
18	36		18VS-36
	24		18VS-24
	12		18VS-12
12	36	12VS-36	
	24	12VS-24	
	12	12VS-12	
9	36	9VS-36	
	24	9VS-24	
	12	9VS-12	
6	36	6VS-36	
	24	6VS-24	
	12	6VS-12	

Fitting Dimensions				
Radius	R	A	B/C	L
For All 3-3/8" High Tray				
36"	34-1/2"	36-3/16"	36-3/16"	56-13/16"
24"	22-1/2"	24-3/16"	24-3/16"	38"
12"	11-7/8"	13-9/16"	13-9/16"	21-5/16"
For All 4" High Tray				
36"	34-1/2"	36-1/2"	36-1/2"	57-5/16"
24"	22-1/2"	24-1/2"	24-1/2"	38-1/2"
12"	11-7/8"	13-7/8"	13-7/8"	21-3/4"
For All 4-1/2" High Tray				
36"	34-1/2"	36-3/4"	36-3/4"	57-3/4"
24"	22-1/2"	24-3/4"	24-3/4"	38-7/8"
12"	11-7/8"	14-1/8"	14-1/8"	22-3/16"
For All 6" High Tray				
36"	34-1/2"	37-1/2"	37-1/2"	58-15/16"
24"	22-1/2"	25-1/2"	25-1/2"	40-1/16"
12"	11-7/8"	14-7/8"	14-7/8"	23-3/8"
For All 6-1/4" High Tray				
36"	34-1/2"	37-5/8"	37-5/8"	59-1/8"
24"	22-1/2"	25-5/8"	25-5/8"	40-1/4"
12"	11-7/8"	15"	15"	23-9/16"
For All 7" High Tray				
36"	34-1/2"	38"	38"	59-11/16"
24"	22-1/2"	26"	26"	40-7/8"
12"	11-7/8"	15-3/8"	15-3/8"	24-5/32"
For All 8" High Tray				
36"	34-1/2"	38-5/8"	38-5/8"	60-11/16"
24"	22-1/2"	26-1/2"	26-1/2"	41-5/8"
12"	11-7/8"	15-7/8"	15-7/8"	24-15/16"
For All 10" High Tray				
36"	34-1/2"	39-5/8"	39-5/8"	62-1/4"
24"	22-1/2"	27-1/2"	27-1/2"	43-3/16"
12"	11-7/8"	16-7/8"	16-7/8"	26-1/2"

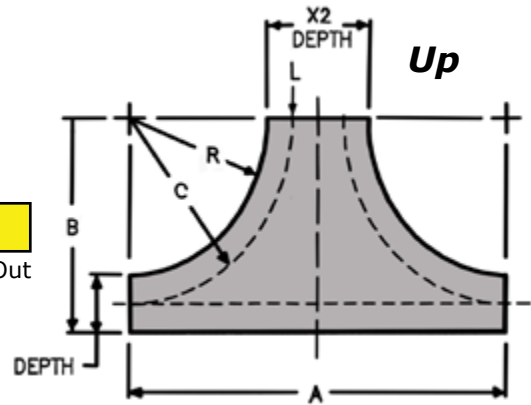
Vertical Tees
(All except I6 & I8)



Sample Catalog No.
(Prefix + Basic)

SLPD4- 24VT-12

Husky Ladder—Flange-Out
24"W x 12"R
Vertical Tee Down



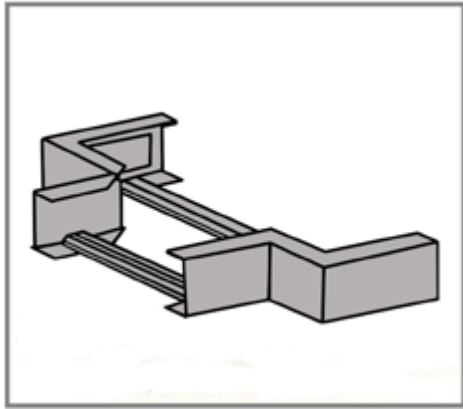
Note: Chart based on standard fittings without tangents. Contact factory for fittings with tangents.

Catalog Number				
Width	Radius	Prefix	Basic # Down	Basic # Up
36	36	See Tables on Pages 113-116	36VT-36	36VTU-36
	24		36VT-24	36VTU-24
	12		36VT-12	36VTU-12
30	36		30VT-36	30VTU-36
	24		30VT-24	30VTU-24
	12		30VT-12	30VTU-12
24	36		24VT-36	24VTU-36
	24		24VT-24	24VTU-24
	12		24VT-12	24VTU-12
18	36		18VT-36	18VTU-36
	24		18VT-24	18VTU-24
	12		18VT-12	18VTU-12
12	36	12VT-36	12VTU-36	
	24	12VT-24	12VTU-24	
	12	12VT-12	12VTU-12	
9	36	9VT-36	9VTU-36	
	24	9VT-24	9VTU-24	
	12	9VT-12	9VTU-12	
6	36	6VT-36	6VTU-36	
	24	6VT-24	6VTU-24	
	12	6VT-12	6VTU-12	

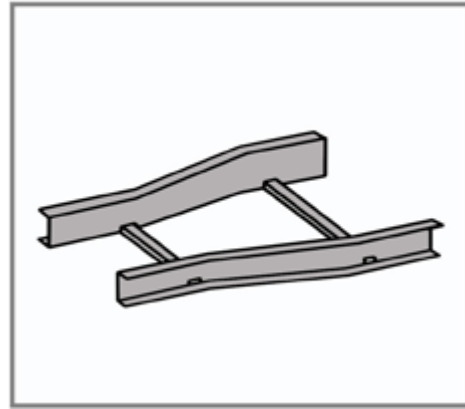
Fitting Dimensions					
Radius	R	A	B	L	C
For All 3-3/8" High Tray					
36"	34-1/2"	75-3/4"	37-7/8"	56-13/16"	36-3/16"
24"	22-1/2"	51-3/4"	25-7/8"	38"	24-3/16"
12"	11-7/8"	30-1/2"	15-1/4"	21-5/16"	13-9/16"
For All 4" High Tray					
36"	34-1/2"	77"	38-1/2"	57-5/16"	36-1/2"
24"	22-1/2"	53"	26-1/2"	38-1/2"	24-1/2"
12"	11-7/8"	31-3/4"	15-7/8"	21-3/4"	13-7/8"
For All 4-1/2" High Tray					
36"	34-1/2"	78"	39"	57-3/4"	36-3/4"
24"	22-1/2"	54"	27"	38-7/8"	24-3/4"
12"	11-7/8"	32-3/4"	16-3/8"	22-3/16"	14-1/8"
For All 6" High Tray					
36"	34-1/2"	81"	40-1/2"	58-15/16"	37-1/2"
24"	22-1/2"	57"	28-1/2"	40-1/16"	25-1/2"
12"	11-7/8"	35-3/4"	17-7/8"	23-3/4"	14-7/8"
For All 6-1/4" High Tray					
36"	34-1/2"	81-1/2"	40-3/4"	59-1/8"	37-5/8"
24"	22-1/2"	57-1/2"	28-3/4"	40-1/4"	25-5/8"
12"	11-7/8"	36-1/4"	18-1/8"	23-9/16"	15"
For All 7" High Tray					
36"	34-1/2"	83"	41-1/2"	59-11/16"	38"
24"	22-1/2"	59"	29-1/2"	40-7/8"	26"
12"	11-7/8"	37-3/4"	18-7/8"	24-5/32"	15-3/8"
For All 8" High Tray					
36"	34-1/2"	85"	46-5/8"	60-11/16"	38-5/8"
24"	22-1/2"	61"	32-1/2"	41-5/8"	26-1/2"
12"	11-7/8"	39-3/4"	21-7/8"	24-15/16"	15-7/8"
For All 10" High Tray					
36"	34-1/2"	89"	49-5/8"	62-1/4"	39-5/8"
24"	22-1/2"	65"	37-1/2"	43-3/16"	27-1/2"
12"	11-7/8"	43-3/4"	26-7/8"	26-1/2"	16-7/8"

10-FITTINGS

Electray, Ventray/Ventrib Reducers



Husky Ladder Reducer—Flange-In



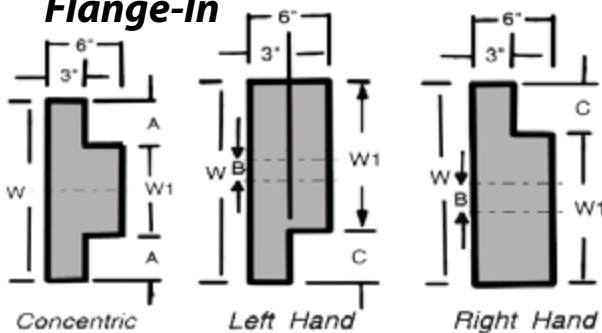
Husky Ladder Reducer—Flange-Out

Note: Chart based on standard fittings without tangents. Contact factory for fittings with tangents.

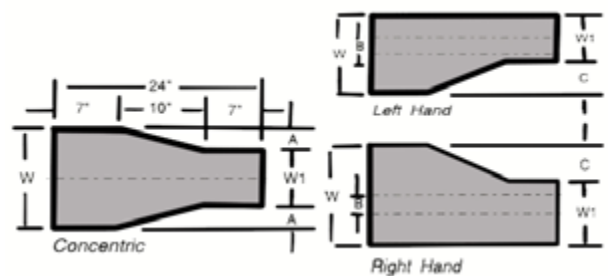
Reducers for Husky Ladder Trays												
Width		Concentric Catalog No.		Left Hand Catalog No.		Right Hand Catalog No.		A/B	C			
W	W1	Prefix	Basic	Prefix	Basic	Prefix	Basic					
36	30	See Tables on Pages 113-116	36R30	See Tables on Pages 113-116	36RL30	See Tables on Pages 113-116	36RR30	3"	6"			
	24		36R24		36RL24		36RR24	6"	12"			
	18		36R18		36RL18		36RR18	9"	18"			
	12		36R12		36RL12		36RR12	12"	24"			
	9		36R9		36RL9		36RR9	13-1/2"	27"			
6	36R6		36RL6		36RR6		15"	30"				
30	24				30R24			30RL24		30RR24	3"	6"
	18				30R18			30RL18		30RR18	6"	12"
	12				30R12			30RL12		30RR12	9"	18"
	9				30R9			30RL9		30RR9	10-1/2"	21"
	6				30R6			30RL6		30RR6	12"	24"
24	18				24R18			24RL18		24RR18	3"	6"
	12				24R12			24RL12		24RR12	6"	12"
	9				24R9			24RL9		24RR9	7-1/2"	15"
	6				24R6			24RL6		24RR6	9"	18"
18	12		18R12		18RL12		18RR12	3"	6"			
	9		18R9		18RL9		18RR9	4-1/2"	9"			
	6		18R6		18RL6		18RR6	6"	12"			
12	9		12R9		12RL9		12RR9	1-1/2"	3"			
	6		12R6		12RL6		12RR6	3"	6"			
9	6		9R6		9RL6		9RR6	1-1/2"	3"			

10-FITTINGS

Flange-In



Flange-Out



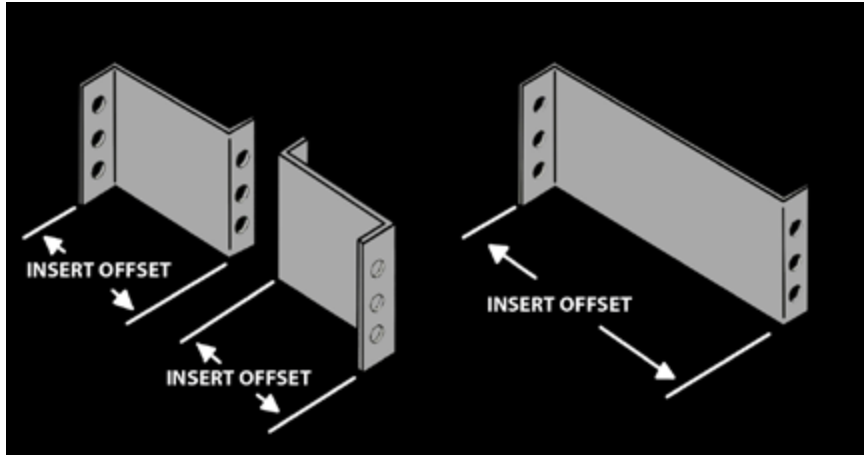
Reducing Splice Plates

Offset Splice Plates for Concentric and Eccentric Reductions

Reducing splice plates are used instead of reducer fittings and offer better versatility and economy since they are less expensive and do not require covers. (Hardware is included)

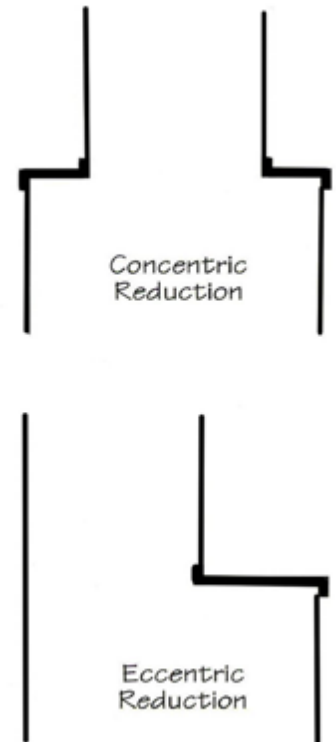
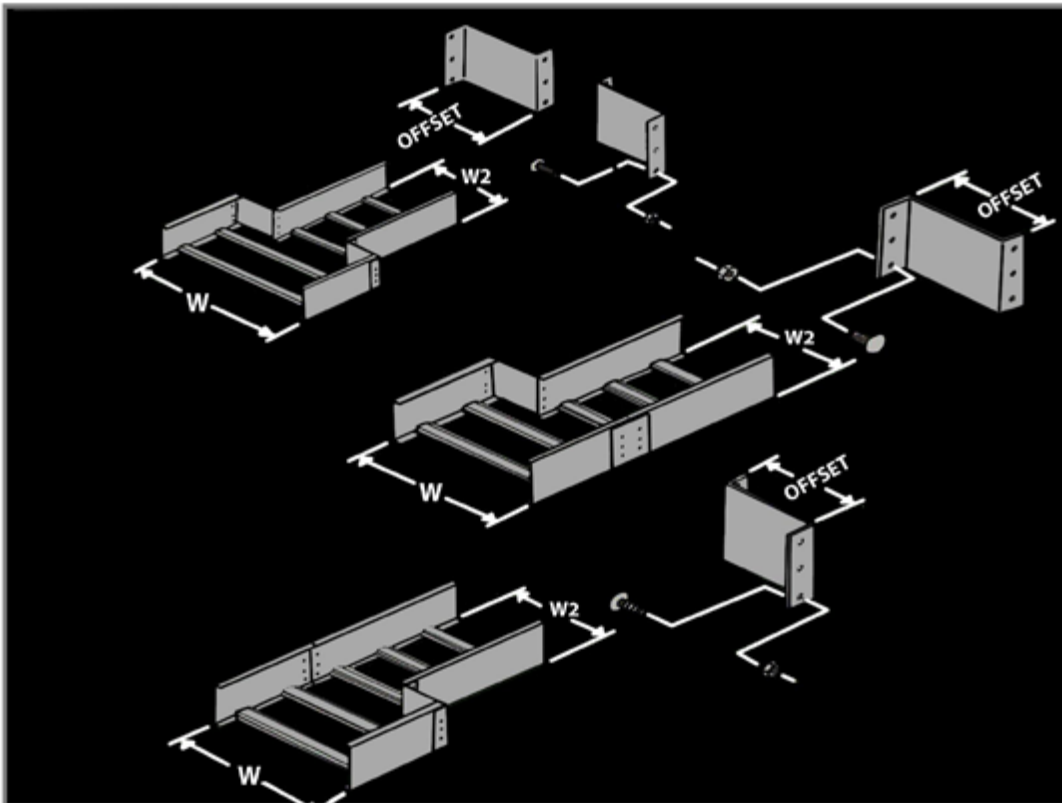
(Hardware is included)

For concentric reductions, two plates of equal offset are used. For eccentric reductions, one plate is used along with a standard splice connector (not included).



Tray Depth	Aluminum	HDGAF Steel	Stainless Steel 304	Stainless Steel 316	Galvannealed (Husky Way)
3-3/8", 4", 4-1/2"	ASP-HOR-()	SSP-HOR-()	4SP-HOR-()	6SP-HOR-()	NSP-HOR-()
6" & 7" (Except I6)	ASP-XOR-()	SSP-XOR-()	4SP-XOR-()	6SP-XOR-()	NSP-XOR-()
I6	ASP-I6OR-()	--	--	--	--
8" (Except I8)	ASP-L1OR-()	SSP-L1OR-()	4SP-L1OR-()	6SP-L1OR-()	NSP-L1OR-()
I8	ASP-I8OR-()	--	--	--	--
10"	ASP-D1OR-()	SSP-D1OR-()	4SP-D1OR-()	6SP-D1OR-()	NSP-D1OR-()

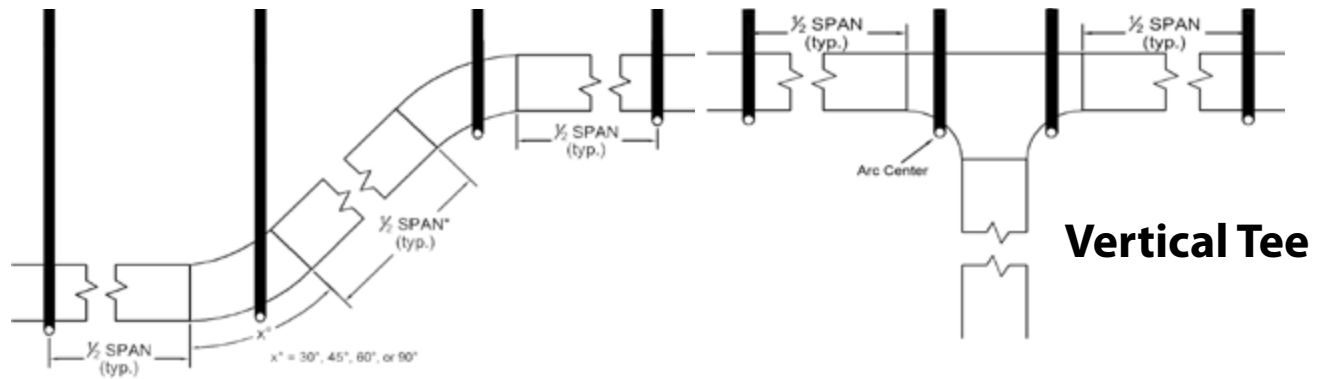
() = Insert offset of plate in inches.



10-FITTINGS

Alternate Fitting Support Locations

Diagrammed below are fitting support locations as tested with specially constructed NEMA 20C cable tray fittings as an alternative to the support locations diagrammed in NEMA VE-2. Please consult the factory prior to ordering if you intend to support the cable tray in this manner.

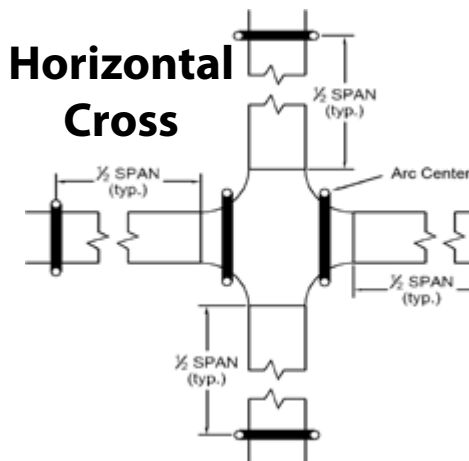


Vertical Tee

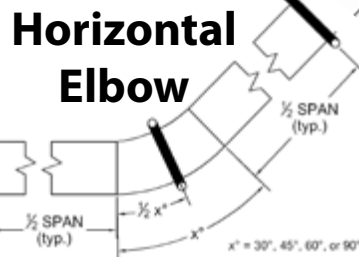
Vertical Elbow

*Maximum span without additional support

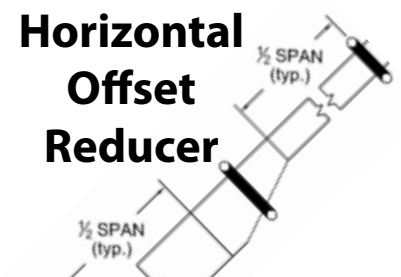
10-FITTINGS



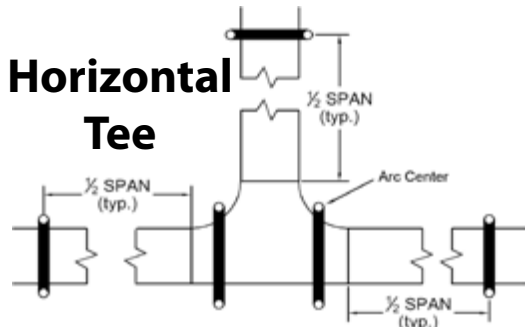
Horizontal Cross



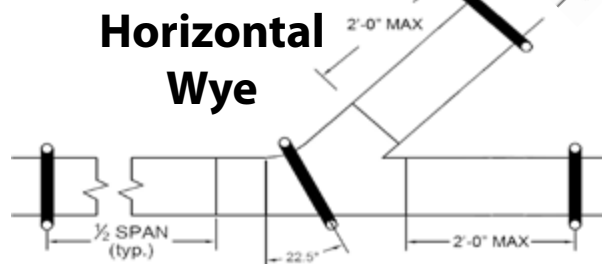
Horizontal Elbow



Horizontal Offset Reducer



Horizontal Tee



Horizontal Wye

To ensure data available is most current, please visit www.MPHUSKY.com