

Complete Fixture consists of Reflector Trim & Frame-In Kit. Select each separately.

Reflector Trim	Frame-In Kit — See Individual Frame-In Kit Specification Sheets			
	Incandescent			
	Frame-In Kit	Installation Type	Lamping	Height
<b>1131</b> Black Step Baffle	<b>1100IC</b>	IC	75W PAR30 (Short Neck)	7 5/16"
<b>1131WH</b> White Step Baffle	<b>1100AICM</b>	AirSeal® IC	65W BR30	7 5/16"
<b>1131GD</b> Specular Gold	<b>1104ICX/N</b>	AirSeal® IC	75W PAR30 (Short Neck)	7 1/4"
<b>1131CL</b> Specular Clear			85W BR30	
<b>1131BK</b> Specular Black				

### Features

- 1. Housing:** Hydroformed aluminum, .040" thick; white trim flange.
- 2. Aperture:** Conical aluminum step baffle, matte black or gloss white finish; or hydroformed aluminum cone, specular finish. For ceiling slopes 14° - 30° angle, 3/12 - 7/12 pitch.
- 3. Lamp Housing:** Hydroformed aluminum, .040" thick; permits ± 7° vertical adjustment for straight downlighting.
- 4. Frame-In Kit:** See Frame-In Kit specification sheets for more details.

### Options & Accessories

**Extra Wide Flange Trim Ring:** 1954 - 8 5/8" O.D.

### Labels

UL (Suitable for Damp Locations), I.B.E.W.

Job Information	Type:
<b>Job Name:</b>	
<b>Cat. No.:</b>	
<b>Lamp(s):</b>	
<b>Notes:</b>	

631 Airport Road, Fall River, MA 02720 • (508) 679-8131 • Fax (508) 674-4710  
 We reserve the right to change details of design, materials and finish.  
[www.lightolier.com](http://www.lightolier.com) © 2011 Philips Group • D0711

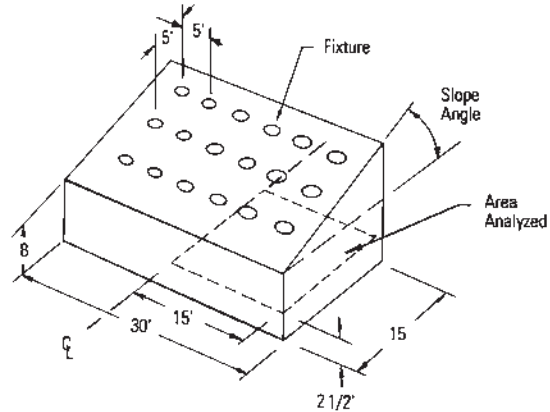
**Footcandles 2 1/2' Above the Floor**

Fixture mounted on 5' x 5' centers (horizontally) in 15' x 30' room with sloped ceiling.

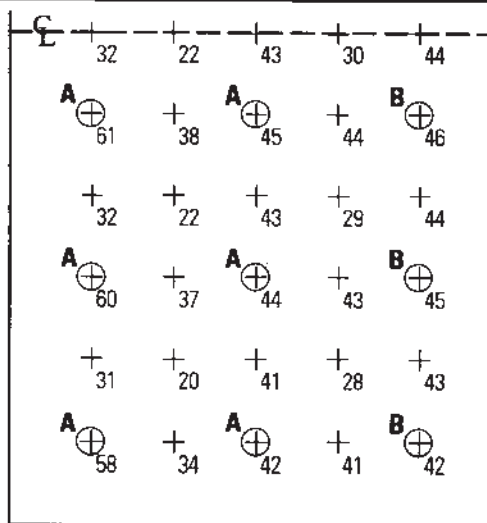
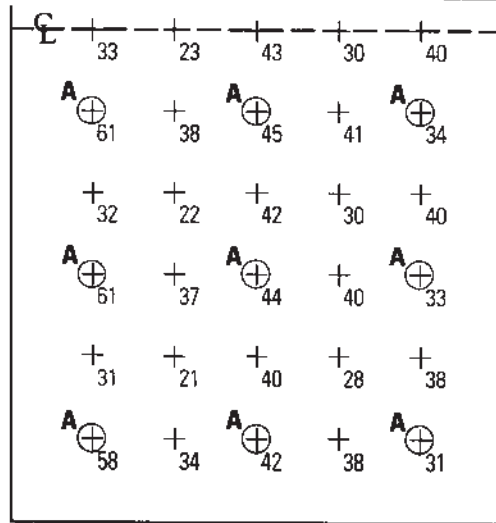
Room reflectances: 80% ceiling, 50% walls, 20% floor.

**A** = 75W PAR30 FL (Flood)

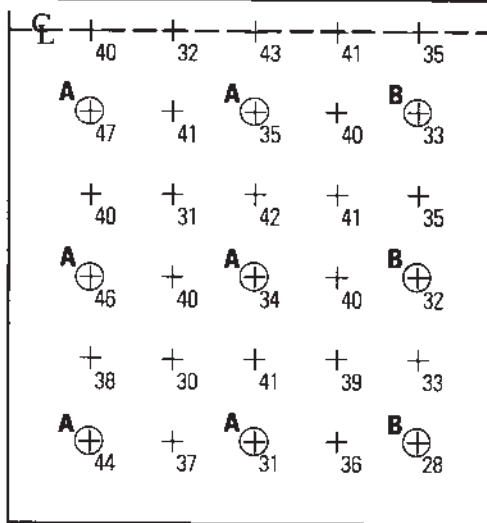
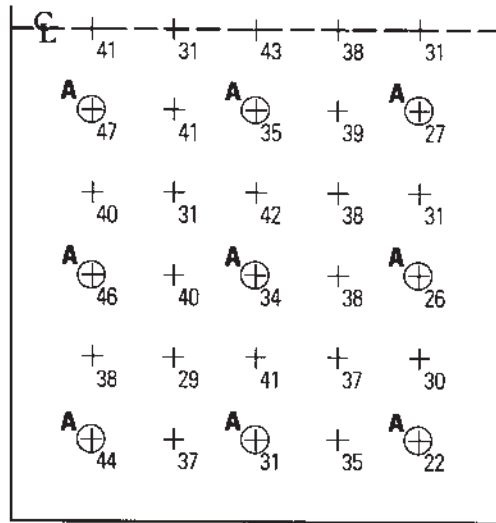
**B** = 75W PAR30 NFL (Narrow Flood)



**15 Ceiling Slope**



**30 Ceiling Slope**



Data calculated with GENESYS using bare lamp photometrics. Fixture spacing exceeding 5' may cause uneven lighting under lowest ceiling areas.  
 To convert lighting data for a lower wattage incandescent lamp of the **same type**, multiply the footcandle (or candlepower) values by the ratio of the lumens of the two lamps.  
 The coefficients of utilization remain the same.

**Job Information** **Type:**

631 Airport Road, Fall River, MA 02720 • (508) 679-8131 • Fax (508) 674-4710  
 We reserve the right to change details of design, materials and finish.  
 www.lightolier.com © 2011 Philips Group • D0711