

HID DISTRIBUTOR REPLACEMENT KITS



Universal's HID Distributor kits come pre-packaged with everything you need for ballast replacement or retrofit.

- Core & Coil, capacitor, ignitor (if required), and mounting hardware all in a UPS ready to ship box.
- Color coated leads for wiring ease.
- Kits available with dedicated taps, Quad voltage (120, 208, 240, 277), Multi-5 voltage (120, 208, 240, 277, 480), and 480V with 120V aux tap.

Metal Halide

Catalog Number	Voltage	Wattage	Diagram
M175MLTAC3M500K	120/208/240/277	175	PC1
M175ML5AC3M500K	Multi-5	175	PC1
M17548TAC3M500K	480-120	175	PC1
M250MLTAC3M500K	120/208/240/277	250	PC1
M250ML5AC3M500K	Multi-5	250	PC1
M25048TAC3M500K	480-120	250	PC1
M250MLTAC4M500K	120/208/240/277	250	PC2
M250ML5AC4M500K	Multi-5	250	PC2
M400MLTAC4M500K	120/208/240/277	400	PC2

Catalog Number	Voltage	Wattage	Diagram
M400ML5AC4M500K	Multi-5	400	PC2
M40048TAC4M500K	480-120	400	PC2
M1000MLTAC5M500K	120/208/240/277	1000	PC3
M1000ML5AC5M500K	Multi-5	1000	PC3
M100048TAC5M500K	480-120	1000	PC3
M1500MLTAC5M500K	120/208/240/277	1500	PC3
M150048TAC5M500K	480-120	1500	PC3

Pulse Start Metal Halide

Catalog Number	Voltage	Wattage	Diagram
M35MLTLC3M500K	120/208/240/277	35	PC1
M50MLTLC3M500K	120/208/240/277	50	PC1
M7048TLC3E500K	480-120	70	PC1
M7048TLC3M500K	480-120	70	PC1
M70MLTLC3D500K*	120/208/240/277	70	PC1
M70MLTLC3E500K	120/208/240/277	70	PC1
M70MLTLC3M500K	120/208/240/277	70	PC1
M10048TLC3M500K	480-120	100	PC1
M100MLTLC30500K	120/208/240/277	100	PC1
M100MLTLC3D500K*	120/208/240/277	100	PC1
M100MLTLC3E500K	120/208/240/277	100	PC1
M15048TLC3E500K	480-120	150	PC1
M15048TLC3M500K	480-120	150	PC1
M150MLTAC3E500K	120/208/240/277	150	PC1
M150MLTAC3M500K	120/208/240/277	150	PC1
M150MLTLC3D500K*	120/208/240/277	150	PC1

Catalog Number	Voltage	Wattage	Diagram
M150MLTLC3E500K	120/208/240/277	150	PC1
M150MLTLC3M500K	120/208/240/277	150	PC1
P17548TAC40500K	480-120	175	PC2
P17548TAC4E500K	480-120	175	PC2
P175ML5AC3M500K	Multi-5	175	PC1
P175ML5AC4E500K	Multi-5	175	PC2
P175MLTAC3L500K	120/208/240/277	175	PC1
P175MLTAC3M500K	120/208/240/277	175	PC1
P175MLTAC3M500K	120/208/240/277	175	PC1
P175MLTAC40500K	120/208/240/277	175	PC2
P200ML5AC3M500K	Multi-5	200	PC1
P200MLTAC3L500K	120/208/240/277	200	PC1
P25048TAC4L500K	480-120	250	PC2
P250ML5AC4E500K	Multi-5	250	PC2
P250ML5AC4L500K	Multi-5	250	PC2

*Double ended lamps (70W M85, 100W M91, 150W M81)

Pulse Start Metal Halide

Catalog Number	Voltage	Wattage	Diagram
P250ML5AC4M500K	Multi-5	250	PC2
P250MLTAC4E500K	120/208/240/277	250	PC2
P250MLTAC4L500K	120/208/240/277	250	PC2
P320ML5AC4E500K	Multi-5	320	PC2
P320ML5AC4L500K	Multi-5	320	PC2
P320ML5AC4M500K	Multi-5	320	PC2
P320MLTAC40500K	120/208/240/277	320	PC2
P320MLTAC4E500K	120/208/240/277	320	PC2
P35048TAC4E500K	480-120	350	PC2
P350ML5AC40500K	Multi-5	350	PC2
P350ML5AC4M500K	Multi-5	350	PC2
P350MLTAC4E500K	120/208/240/277	350	PC2
P350MLTAC4M500K	120/208/240/277	350	PC2
P40048TAC4E500K	480-120	400	PC2
P40048TAC4L500K	480-120	400	PC2
P400ML5AC4E500K	Multi-5	400	PC2

Catalog Number	Voltage	Wattage	Diagram
P400ML5AC4L500K	Multi-5	400	PC2
P400ML5AC4M500K	Multi-5	400	PC2
P400MLTAC4E500K	120/208/240/277	400	PC2
P400MLTAC4L500K	120/208/240/277	400	PC2
P45048TAC4E500K	480-120	450	PC2
P450ML5AC4M500K	Multi-5	450	PC2
P450MLTAC4E500K	120/208/240/277	450	PC2
P75048TAC5M500K	480-120	750	PC3
P750ML5AC5M500K	Multi-5	750	PC3
P750MLTAC5M500K	120/208/240/277	750	PC3
P875MLTAC5M500K	120/208/240/277	875	PC3
P100048TAC5M500K	480-120	1000	PC3
P1000ML5AC5E500K	Multi-5	1000	PC3
P1000MLTAC5E500K	120/208/240/277	1000	PC3

*Double ended lamps (70W M85, 100W M91, 150W M81)

High Pressure Sodium

Catalog Number	Voltage	Wattage	Diagram
S50MLTLC3M500K	120/208/240/277	50	PC1
S70MLTLC3M500K	120/208/240/277	70	PC1
S7048TLC3M500K	480-120	70	PC1
S100MLTLC3M500K	120/208/240/277	100	PC1
S10048TLC3M500K	480-120	100	PC1
S150MLTLC30500K	120/208/240/277	150	PC1
S15048TLC3M500K	480-120	150	PC1
S200MLTAC4M500K	120/208/240/277	200	PC2
S20048TAC4M500K	480-120	200	PC2
S250ML5AC40500K	Multi-5	250	PC2
S250MLTAC4M500K	120/208/240/277	250	PC2

Catalog Number	Voltage	Wattage	Diagram
S25048TAC4M500K	480-120	250	PC2
S400ML5AC4M500K	Multi-5	400	PC2
S400MLTAC4M500K	120/208/240/277	400	PC2
S400ML5AC5M500K	Multi-5	400	PC3
S400MLTAC5M500K	120/208/240/277	400	PC3
S40048TAC4M500K	480-120	400	PC2
S40048TAC5M500K	480-120	400	PC3
S600MLTAC5M500K	120/208/240/277	600	PC3
S1000MLTAC5M500K	120/208/240/277	1000	PC3
S1000ML5AC5M500K	Multi-5	1000	PC3
S100048TAC5M500K	480-120	1000	PC3



F-Can Ballasts

Universal's F-Can ballasts are ideal for indoor applications where quiet operation is essential.

- All components are enclosed in a fluorescent-style ballast and are thermally protected.
- UL and CSA listed.
- Available with 120V/277V taps and 120V/347V taps.

Metal Halide

Catalog Number	Wattage	Voltage	Overall Length	Case Length	Mount Dim
1110-245SC-TC	175	120 or 277	14.32	13.19	13.75
1110-564C-TC	175	120 or 347	11.75	10.55	11.10
1110-246C-TC	250	120 or 277	16.75	15.57	16.13
1110-566C-TC	250	120 or 347	16.65	15.55	16.10
1110-247SC-TC	400	120 or 277	19.25	18.06	18.63
1111-247SC-TC	400	120 or 277	14.31	13.19	13.75
1110-568C-TC	400	120 or 347	19.25	18.05	18.60

Pulse Start Metal Halide

Catalog Number	Wattage	Voltage	Overall Length	Case Length	Mount Dim
1120-251A-TC	35/39	120	9.50	8.35	8.85
11210-236C-TC	50	120 or 277	11.75	10.56	11.14
11210-277C-TC*	70	120 or 277	11.75	10.56	11.14
11210-506C-TC*	70	120 or 277	11.75	10.56	11.14
11210-554C-TC	70	120 or 347	11.75	10.56	11.14
11210-239C-TC	100	120 or 277	11.75	10.56	11.14
11210-606C-TC	100	120 or 347	11.75	10.56	11.14
11210-242C-TC*	150	120 or 277	14.31	13.19	13.75
11210-539C-TC	150	120 or 277	14.31	13.19	13.75

*Double ended lamps (70W M85 & 150W M81)

High Pressure Sodium

Catalog Number	Wattage	Voltage	Overall Length	Case Length	Mount Dim
12210-236C-TC	50	120 or 277	11.75	10.55	11.10
12210-237C-TC	70	120 or 277	11.75	10.56	11.14
12210-552C-TC	70	120 or 347	11.75	10.55	11.10
12210-239C-TC	100	120 or 277	11.75	10.55	11.10
12210-241C-TC	150	120 or 277	14.30	13.15	13.75



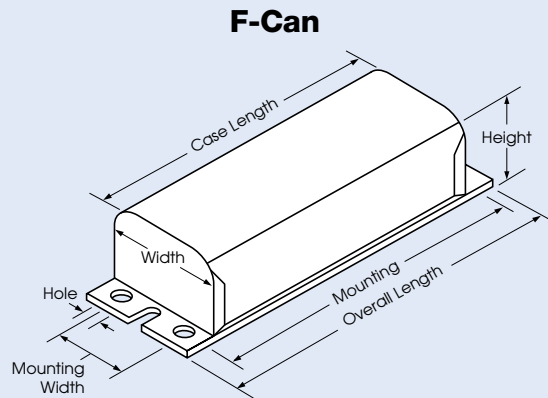
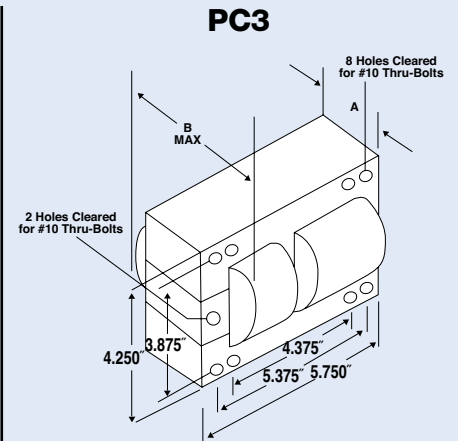
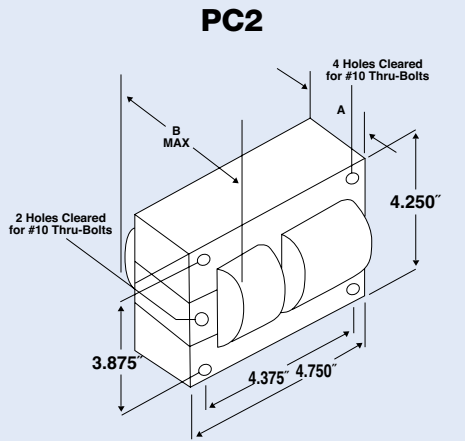
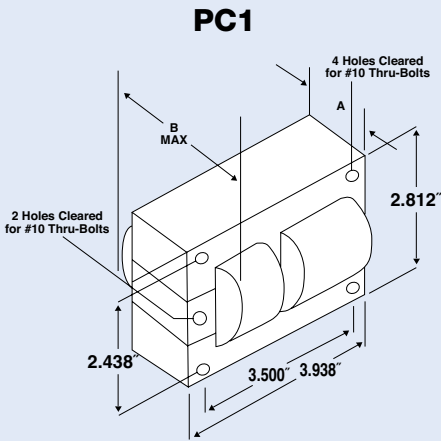
Multi-5[®] Uni-Pak The Complete HID Solution

Universal's Multi-5 Uni-Pak ballast and lamp replacement kits offer all the benefits of the distributor kit with the addition of a lamp.

- Includes the ballast, lamp and all components and hardware needed for fast and accurate ballast replacement.

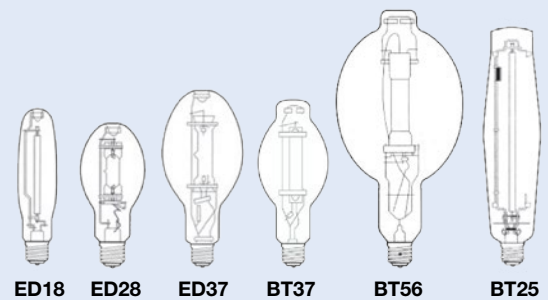
Catalog Number	Description	Length	Height	Width	Weight
M175ML5AC3M555K	175W MH M57 Multi-5™ Ballast & M57 Lamp Kit	11.5	10.0	5.0	9.0
M250ML5AC3M555K	250W MH M58 Multi-5™ Ballast & M58 Lamp Kit	12.1	6.8	12.1	11.8
M250ML5AC4M555K	250W MH M58 Multi-5™ Ballast & M58 Lamp Kit	12.1	6.8	12.1	14.1
M400ML5AC4M555K	400W MH M59 Multi-5™ Ballast & M59 Lamp Kit	12.6	6.6	14.0	14.7
M1000ML5AC5M555K	1000W MH M47 Multi-5™ Ballast & M47 Lamp Kit	18.0	17.0	8.5	25.1
P250ML5AC4L555K	250W PSMH M153 Multi-5 Ballast & M153 Lamp Kit	12.1	6.8	12.1	13.0
P320ML5AC4L555K	320W PSMH M154 Multi-5 Ballast & M154 Lamp Kit	12.6	6.6	14.0	14.7
P400ML5AC4L555K	400W PSMH M155 Multi-5 Ballast & M155 Lamp Kit	12.6	6.6	14.0	14.7
P750ML5AC5M555K	750W PSMH M149 Multi-5 Ballast & M149 Lamp Kit	18.0	17.0	8.5	20.5
S250ML5AC40555K	250W HPS S50 Multi-5™ Ballast & S50 Lamp Kit	12.1	6.8	12.1	11.0
S400ML5AC4M555K	400W HPS S51 Multi-5™ Ballast & S51 Lamp Kit	12.1	6.8	12.1	18.1
S1000ML5AC5M555K	1000W HPS S52 Multi-5™ Ballast & S52 Lamp Kit	18.0	17.0	8.5	26.0

REFERENCE DIAGRAMS



Lamp Data for Multi-5 Uni-Pak

Wattage	Description	Bulb	Base	Color	CRI
175W MH	MVR175/U	ED28	Mogul	4000	65
250W MH	MVR250/U	ED28	Mogul	4200	65
400W MH	MVR400/U	ED37	Mogul	4000	65
1000W MH	MVR1000/U	BT56	Mogul	4000	65
250W PSMH	MVR250/VBU	ED28	Mogul	4200	65
320W PSMH	MVR320/VBU	ED28	Mogul	4000	65
400W PSMH	MVR400/VBU	ED28	Mogul	4000	65
750W PSMH	MVR750/VBU	BT37	Mogul	4000	65
250W HPS	LU250	ED18	Mogul	2100	22
400W HPS	LU400	ED18	Mogul	2100	22
1000W HPS	LU1000	E25	Mogul	2100	22



**It's EASY
to REACH US...**

UNIVERSAL LIGHTING TECHNOLOGIES, INC.

51 Century Blvd., Suite 230
Nashville, TN 37214-3683

GENERAL INFO: **(615) 316-5100**

For Technical Engineering Services (TES), application support and warranty information, call **1-800-225-5278**

WEBSITE: **unvlt.com**

EMAIL: **webmaster@unvlt.com**