

M250ML5AC4M

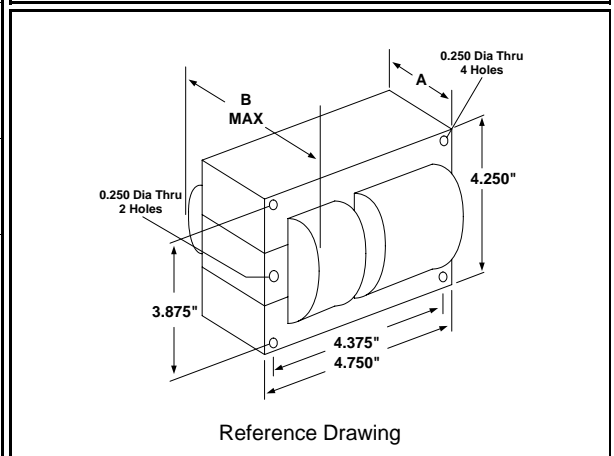
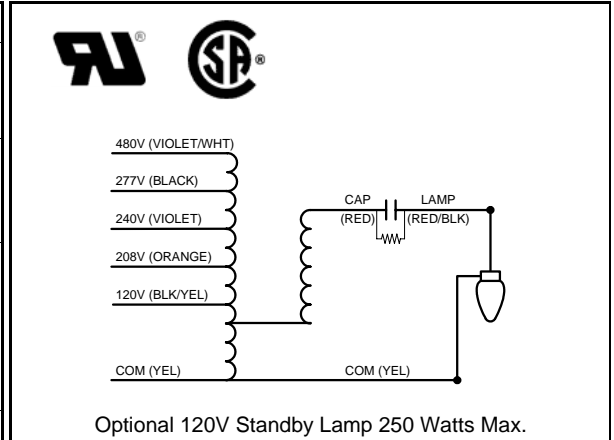
250W M58

Metal Halide

60Hz CWA

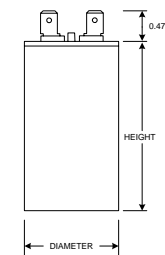
Specification Sheet

Input Volts	120	208	240	277	480
Regulation					
Line Volts	±10%	±10%	±10%	±10%	±10%
Lamp Watts	±10%	±10%	±10%	±10%	±10%
Power Factor (min)	90%	90%	90%	90%	90%
Input Watts	290 W	290 W	290 W	290 W	290 W
NOM. Open Circuit Voltage	300 V	300 V	300 V	300 V	300 V
Line Current (Amps)					
Operating	2.42	1.40	1.20	1.00	0.60
Open Circuit	2.10	1.20	1.10	1.00	0.54
Starting	1.50	1.00	0.80	0.70	0.40
Recommended Fuse (Amps)	8	5	4	3	2
Lamp Dropout Voltage (Line)	65 V	105 V	125 V	150 V	250 V
UL Temperature Ratings					
Insulation Class	H (180°C)	H (180°C)	H (180°C)	H (180°C)	H (180°C)
Temperature Code	A	A	A	A	A
MIN. Starting Temperature	-22°F -30°C	-22°F -30°C	-22°F -30°C	-22°F -30°C	-22°F -30°C
CAPACITOR Specifications					
Microfarads	15 uf	15 uf	15 uf	15 uf	15 uf
Volts (min.)	360 V	360 V	360 V	360 V	360 V
60Hz Test Procedures					
High Potential Test 1 Minute	2000 V	2000 V	2000 V	2000 V	2000 V
High Potential Test 1 Second	2500 V	2500 V	2500 V	2500 V	2500 V
Secondary Open Ckt Voltage (V)	270 - 330	270 - 330	270 - 330	270 - 330	270 - 330
Secondary Current Shorted (A)	2.20 - 2.72	2.20 - 2.72	2.20 - 2.72	2.20 - 2.72	2.20 - 2.72
Input Operating Current (A)	2.20 - 2.69	1.27 - 1.55	1.09 - 1.33	0.91 - 1.11	0.55 - 0.67
Input Open Circuit Current (A)	1.05 - 3.00	0.60 - 1.72	0.55 - 1.57	0.50 - 1.43	0.27 - 0.77
Input Short Circuit Current (A)	1.00 - 1.90	0.60 - 1.00	0.55 - 0.92	0.45 - 0.75	0.25 - 0.50
Core and Coil Specifications					
Dimension A	1.82 in	1.82 in	1.82 in	1.82 in	1.82 in
Dimension B	3.62 in	3.62 in	3.62 in	3.62 in	3.62 in
Weight	10.8 lbs	10.8 lbs	10.8 lbs	10.8 lbs	10.8 lbs
Lead Lengths (inches)	12-14	12-14	12-14	12-14	12-14
Coil Material (Pri. / Sec.):	Cu / Cu	Cu / Cu	Cu / Cu	Cu / Cu	Cu / Cu



Capacitor: R17058562 **Ignitor: None**

Max Case Temp: 100 °C
 Height: 3.82 in
 Width / Diameter: 1.65 in



This Ballast does not require a Ignitor

Oil Cap. - P/N 005-1185-MF Consult Catalog for Specs.

Document #:	010-9907-04
Date:	10/10/2008
Status:	Production
Replaces Catalog #:	New Design

Data is based upon tests performed by Universal Lighting Technologies in a controlled environment and is representative of relative performance. Actual performance may vary depending on operating conditions. Specifications are subject to change without notice.