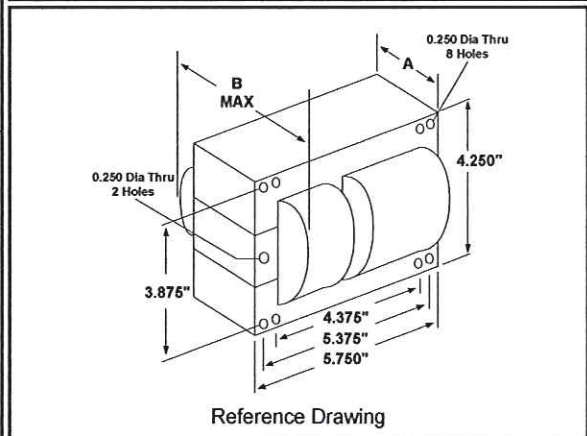
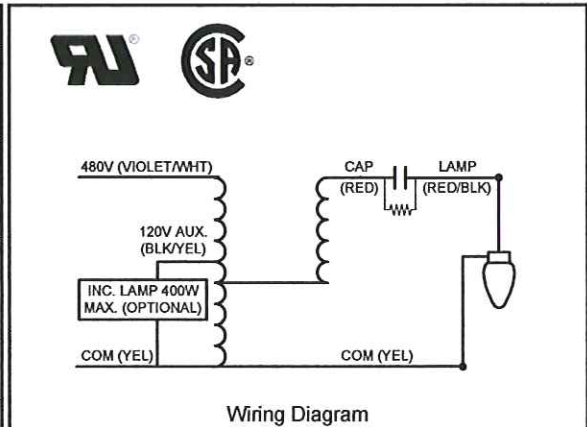


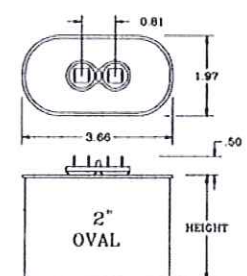
## Specification Sheet

<b>Input Volts</b>	480			
<b>Regulation</b>				
Line Volts	±10%			
Lamp Watts	±10%			
Power Factor (min)	90%			
Input Watts	1620 W			
NOM. Open Circuit Voltage	445 V			
<b>Line Current (Amps)</b>				
Operating	3.5			
Open Circuit	2.30			
Starting	2.00			
Recommended Fuse (Amps)	10			
Lamp Dropout Voltage (Line)	300 V			
<b>UL Temperature Ratings</b>				
Insulation Class	H (180°C)			
Temperature Code	E			
MIN. Starting Temperature	-22°F -30°C			
<b>CAPACITOR Specifications</b>				
Microfarads	32 uf			
Volts (min.)	525 V			
<b>60Hz Test Procedures</b>				
High Potential Test 1 Minute	2000 V			
High Potential Test 1 Second	2500 V			
Secondary Open Ckt Voltage (V)	400 - 500			
Secondary Current Shorted (A)	7.35 - 9.00			
Input Operating Current (A)	3.15 - 4.00			
Input Open Circuit Current (A)	1.15 - 3.25			
Input Short Circuit Current (A)	1.10 - 2.00			
<b>Core and Coil Specifications</b>				
Dimension A	4.40 in			
Dimension B	6.40 in			
Weight	30 lbs			
Lead Lengths (inches)	12-14			
Coil Material (Pri. / Sec.):	Cu / Cu			



**Capacitor: 005-1474-MF**      **Ignitor: None**

Temp Rating: 90 °C  
 Height: 3.88 in  
 Width / Diameter: 3.66 in



**This Ballast does not require a Ignitor**

For alternate capacitor construction consult sales

Document #:	010-11622-02
Date:	6/13/2008
Status:	Production
Replaces Catalog #:	New Design

Data is based upon tests performed by Universal Lighting Technologies in a controlled environment and is representative of relative performance. Actual performance may vary depending on operating conditions. Specifications are subject to change without notice.